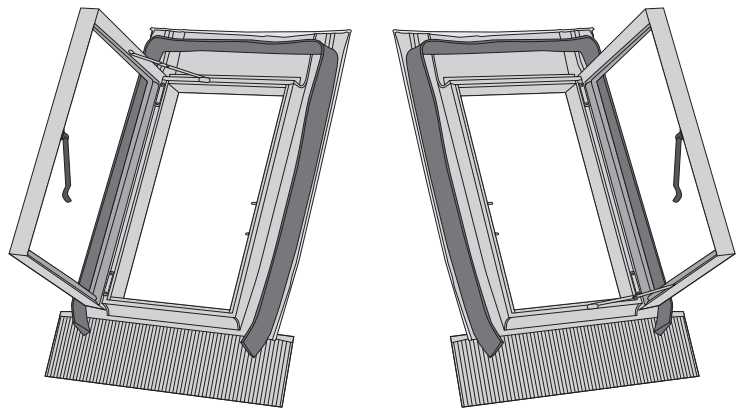


0-90 mm



a > 800mm = 15-45°

a < 800mm = 15-60°

