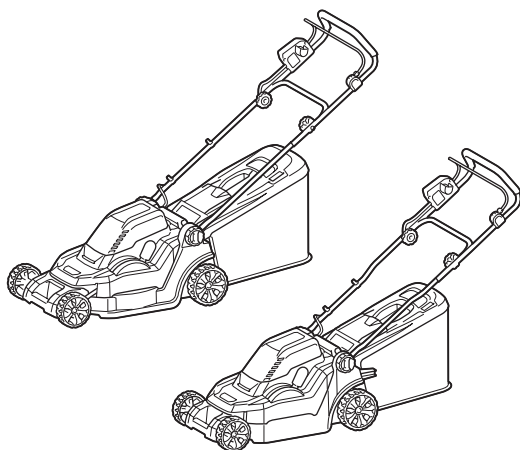




EN	Cordless Lawn Mower	INSTRUCTION MANUAL	7
PL	Akumulatorowa kosiarka do trawy	INSTRUKCJA OBSŁUGI	17
HU	Vezeték nélküli fűnyíró	HASZNÁLATI KÉZIKÖNYV	28
SK	Akumulátorová kosačka	NÁVOD NA OBSLUHU	38
CS	Akumulátorová sekačka na trávu	NÁVOD K OBSLUZE	48
UK	Бездротова газонокосарка	ІНСТРУКЦІЯ З ЕКСПЛУАТАЦІЇ	58
RO	Mașină de tuns iarba fără cablu	MANUAL DE INSTRUCȚIUNI	70
DE	Akku Rasenmäher	BETRIEBSANLEITUNG	81

DLM382
DLM432



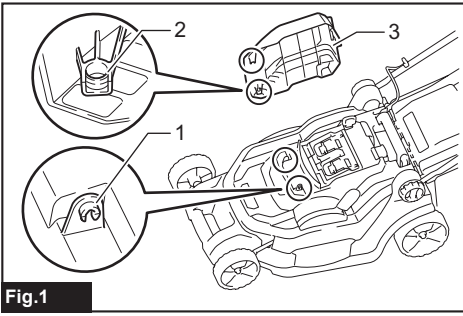


Fig.1

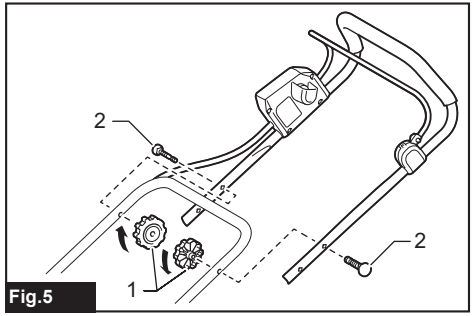


Fig.5

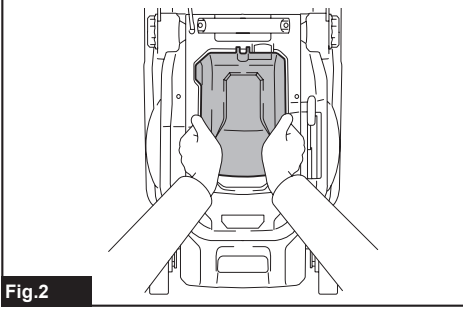


Fig.2

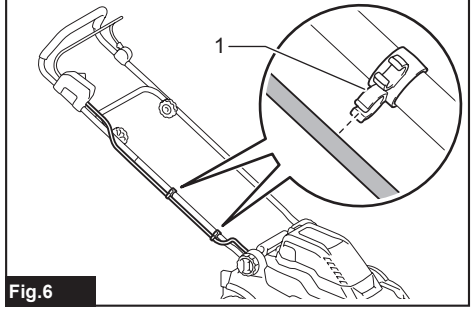


Fig.6

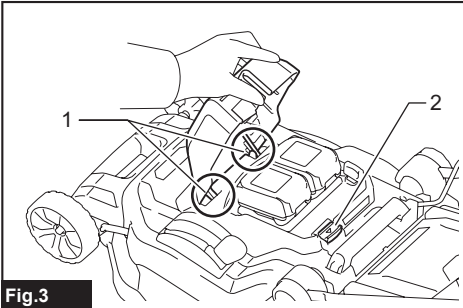


Fig.3

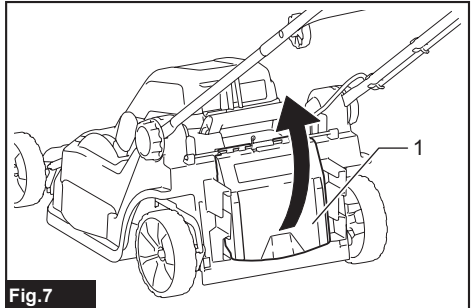


Fig.7

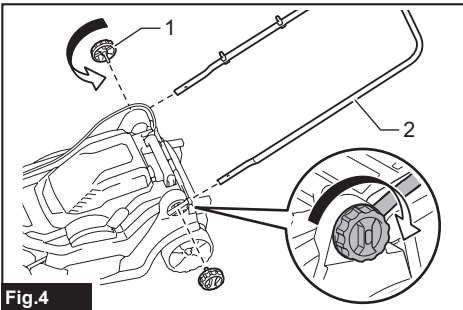


Fig.4

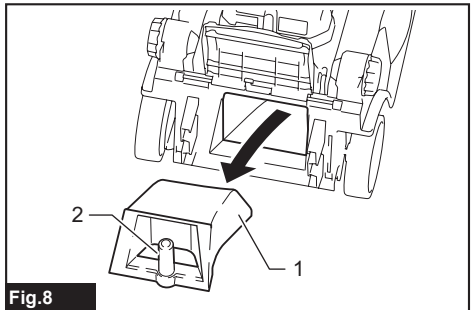


Fig.8

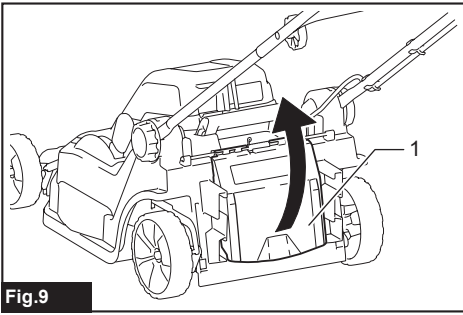


Fig.9

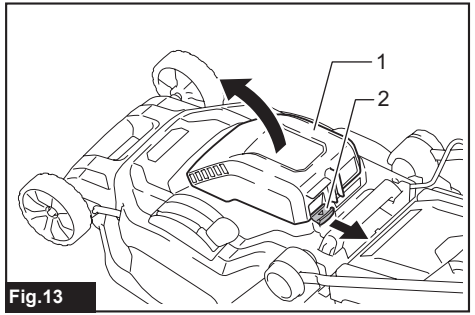


Fig.13

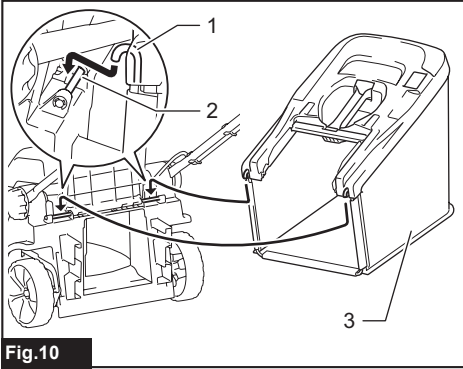


Fig.10

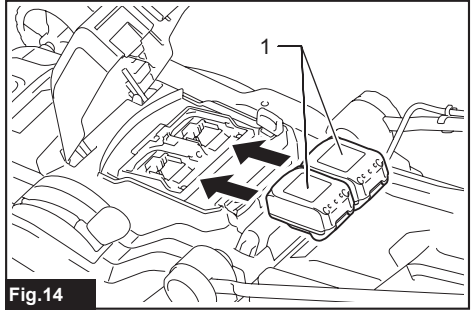


Fig.14

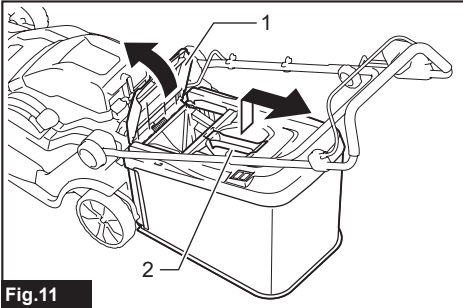


Fig.11

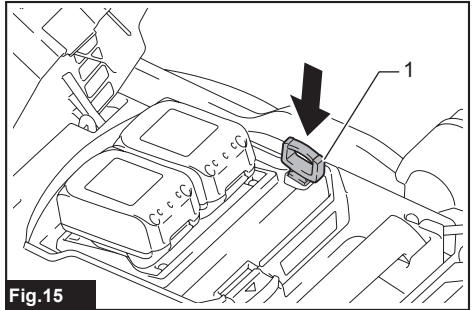


Fig.15

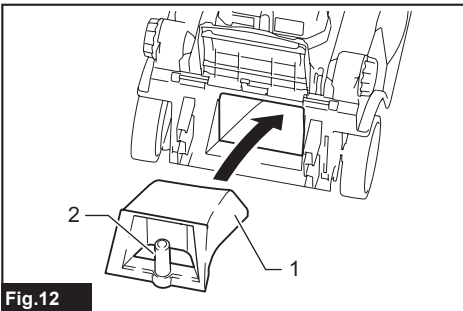


Fig.12

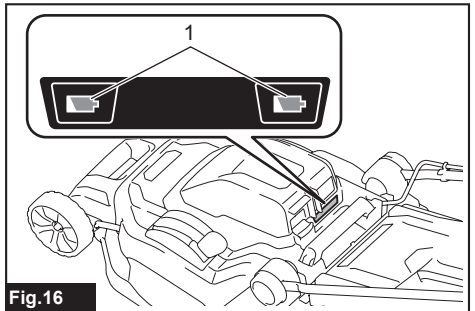


Fig.16

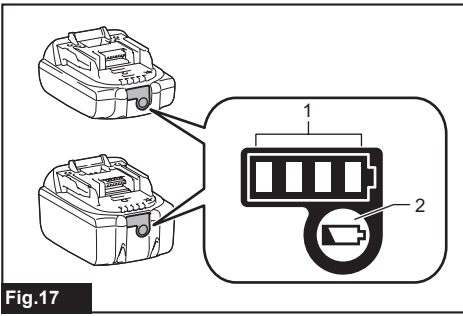


Fig.17

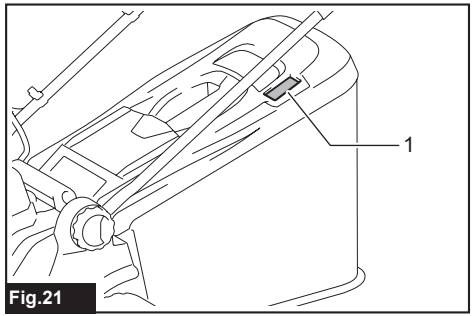


Fig.21

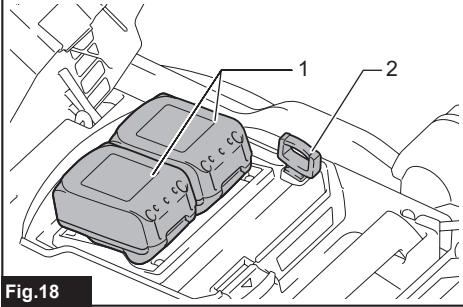


Fig.18

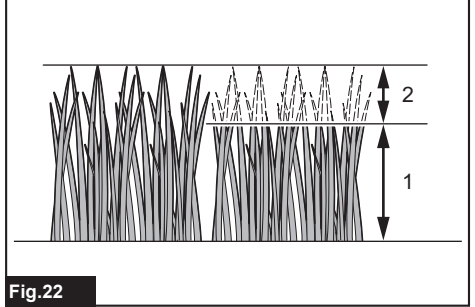


Fig.22

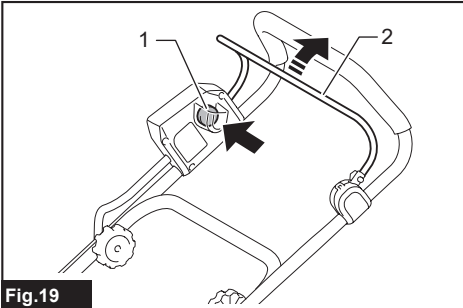


Fig.19



Fig.23

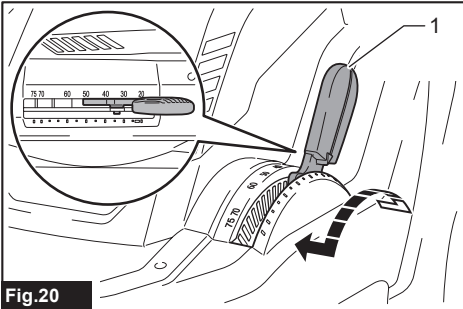


Fig.20

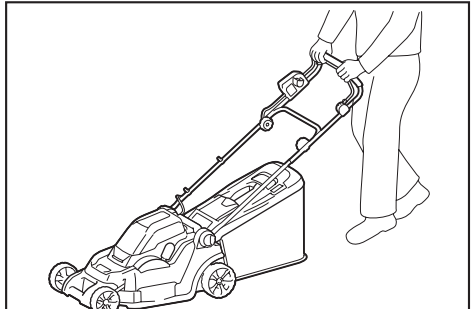


Fig.24

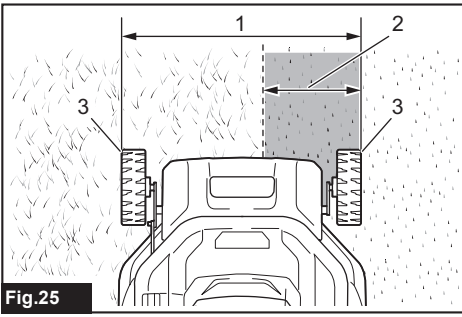


Fig.25

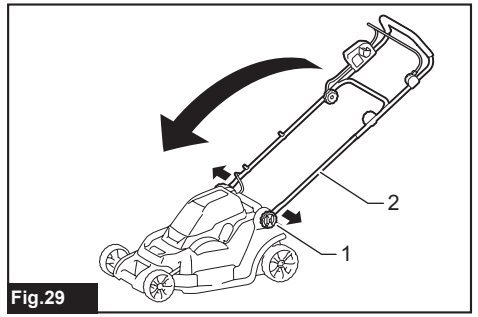


Fig.29

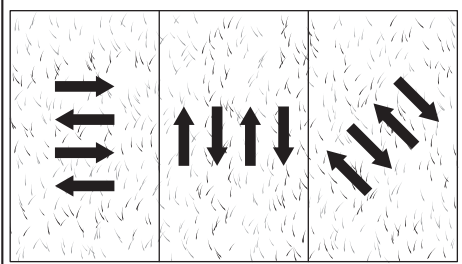


Fig.26

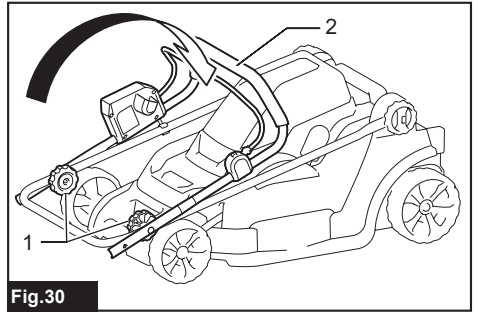


Fig.30

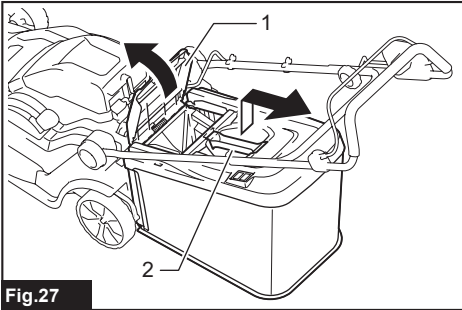


Fig.27

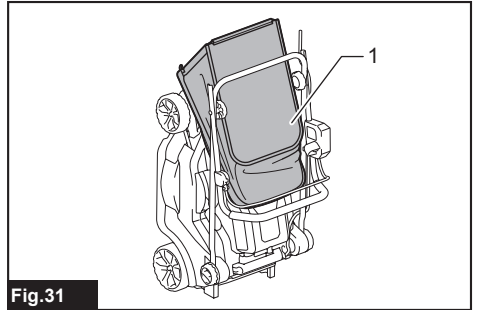


Fig.31

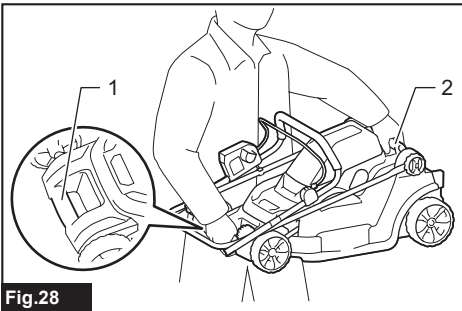


Fig.28

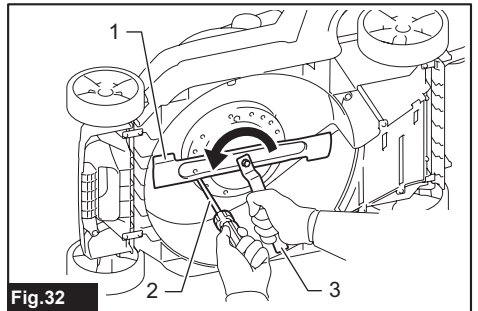


Fig.32

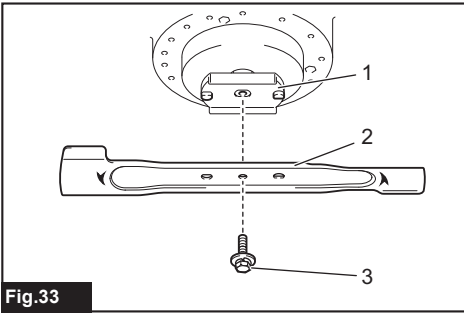


Fig.33

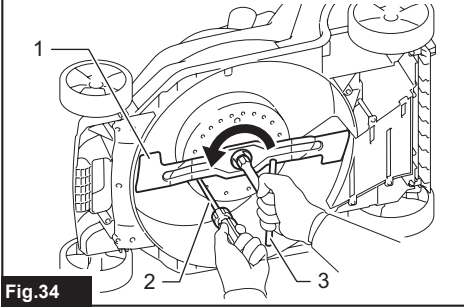


Fig.34

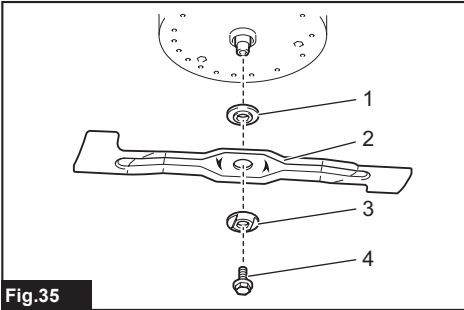


Fig.35

SPECIFICATIONS

Model:		DLM382	DLM432
Mowing width (blade diameter)		380 mm	430 mm
No load speed		3,700 min ⁻¹	3,600 min ⁻¹
Part number of replacement mower blade		191D41-2	191D43-8
Dimensions (L x W x H)	during operation	L: 1,380 mm to 1,410 mm W: 450 mm H: 985 mm to 1,005 mm	L: 1,435 mm to 1,490 mm W: 460 mm H: 1,005 mm to 1,045 mm
	when stored (without grass basket)	860 mm x 450 mm x 475 mm	865 mm x 460 mm x 475 mm
Rated voltage		D.C. 36 V	
Net weight		15.0 - 16.5 kg	15.4 - 17.1 kg

- Due to our continuing program of research and development, the specifications herein are subject to change without notice.
- Specifications may differ from country to country.
- The weight may differ depending on the attachment(s), including the battery cartridge. The lightest and heaviest combination, according to EPTA-Procedure 01/2014, are shown in the table.

Applicable battery cartridge and charger

Battery cartridge	BL1815N / BL1820 / BL1820B / BL1830 / BL1830B / BL1840 / BL1840B / BL1850 / BL1850B / BL1860B
Charger	DC18RC / DC18RD / DC18RE / DC18SD / DC18SE / DC18SF / DC18SH







- Some of the battery cartridges and chargers listed above may not be available depending on your region of residence.

⚠ WARNING: Only use the battery cartridges and chargers listed above. Use of any other battery cartridges and chargers may cause injury and/or fire.

⚠ WARNING: Do not use a corded power supply such as battery adapter or portable power pack with this machine. The cable of such power supply may hinder the operation and result in personal injury.

Symbols

The followings show the symbols which may be used for the equipment. Be sure that you understand their meaning before use.

	Take particular care and attention.
	Read instruction manual.
	Danger; be aware of thrown objects.
	The distance between the tool and bystanders must be at least 15 m.
	Never put your hands and feet near the blade under the mower. Blades continue to rotate after the motor is switched off.
	Remove the lock key before inspecting, adjusting, cleaning, servicing, leaving and storing the mower.



Only for EU countries
Do not dispose of electric equipment or battery pack together with household waste material!
In observance of the European Directives, on Waste Electric and Electronic Equipment and Batteries and Accumulators and Waste Batteries and Accumulators and their implementation in accordance with national laws, electric equipment and batteries and battery pack(s) that have reached the end of their life must be collected separately and returned to an environmentally compatible recycling facility.

Intended use

The machine is intended for lawn mowing.

Noise

The typical A-weighted noise level determined according to EN60335-2-77:

Model DLM382

Sound pressure level (L_{pA}): 81 dB(A)

Sound power level (L_{WA}): 91 dB (A)

Uncertainty (K): 3 dB(A)

Model DLM432

Sound pressure level (L_{pA}): 81 dB(A)

Sound power level (L_{WA}): 92 dB (A)

Uncertainty (K): 3 dB(A)

NOTE: The declared noise emission value(s) has been measured in accordance with a standard test method and may be used for comparing one tool with another.

NOTE: The declared noise emission value(s) may also be used in a preliminary assessment of exposure.

⚠ WARNING: Wear ear protection.

⚠ WARNING: The noise emission during actual use of the power tool can differ from the declared value(s) depending on the ways in which the tool is used especially what kind of workpiece is processed.

⚠ WARNING: Be sure to identify safety measures to protect the operator that are based on an estimation of exposure in the actual conditions of use (taking account of all parts of the operating cycle such as the times when the tool is switched off and when it is running idle in addition to the trigger time).

Vibration

The vibration total value (tri-axial vector sum) determined according to EN60335-2-77:

Model DLM382

Vibration emission (a_h): 2.5 m/s² or less

Uncertainty (K): 2.0 m/s²

Model DLM432

Vibration emission (a_h): 2.5 m/s² or less

Uncertainty (K): 1.5 m/s²

NOTE: The declared vibration total value(s) has been measured in accordance with a standard test method and may be used for comparing one tool with another.

NOTE: The declared vibration total value(s) may also be used in a preliminary assessment of exposure.

⚠ WARNING: The vibration emission during actual use of the power tool can differ from the declared value(s) depending on the ways in which the tool is used especially what kind of workpiece is processed.

⚠ WARNING: Be sure to identify safety measures to protect the operator that are based on an estimation of exposure in the actual conditions of use (taking account of all parts of the operating cycle such as the times when the tool is switched off and when it is running idle in addition to the trigger time).

EC Declaration of Conformity

For European countries only

The EC declaration of conformity is included as Annex A to this instruction manual.

SAFETY WARNINGS

IMPORTANT SAFETY INSTRUCTIONS

⚠ WARNING: Read all safety warnings and all instructions. Failure to follow the warnings and instructions may result in electric shock, fire and/or serious injury.

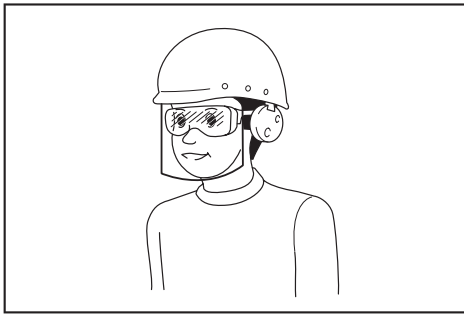
Save all warnings and instructions for future reference.

Training

1. Read the instructions carefully. Be familiar with the controls and the proper use of the mower.
2. Never allow children or people unfamiliar with these instructions to use the mower. Local regulations can restrict the age of the operator.
3. Never operate the mower while people, especially children, or pets are nearby.
4. Keep in mind that the operator or user is responsible for accidents or hazards occurring to other people or their property.
5. Children should be supervised to ensure that they do not play with the mower.
6. Physical condition - Do not operate mower while under the influence of drugs, alcohol, or any medication.

Preparation

1. While operating the mower, always wear substantial footwear and long trousers. Do not operate the mower when barefoot or wearing open sandals. Avoid wearing clothing or jewelry that is loose fitting or that has hanging cords or ties. They can be caught in moving parts.
2. Before use, always visually inspect the mower for damaged, missing or misplaced guards or shields.
3. Be sure the area is clear of other people before mowing. Stop mower if anyone enters the area.
4. Do not insert the lock key into mower until it is ready to be used.
5. Always wear protective goggles to protect your eyes from injury when using power tools. The goggles must comply with ANSI Z87.1 in the USA, EN 166 in Europe, or AS/NZS 1336 in Australia/New Zealand. In Australia/New Zealand, it is legally required to wear a face shield to protect your face, too.



It is an employer's responsibility to enforce the use of appropriate safety protective equipments by the tool operators and by other persons in the immediate working area.

6. Check the blades or blade bolts carefully for cracks or damage before operation. Replace cracked or damaged blades or blade bolts immediately.
7. Remove foreign matters such as rocks, wire, bottles, bones and large sticks from the work area before mowing to prevent personal injury or damage to the mower.
8. Objects struck by the mower blade can cause severe injuries to persons. The lawn should always be carefully examined and cleared of all objects prior to each mowing.
9. Watch for holes, ruts, bumps, rocks, or other hidden objects. Uneven terrain could cause a slip and fall accident. Tall grass can hide obstacles.

Operation

1. Do not overreach. Keep the balance at all times. Always be sure of the footing on slopes. Walk, never run.
2. Stop the mower and remove the lock key, and make sure that all moving parts have come to a complete stop:
 - whenever you leave the mower,
 - before clearing blockages or unclogging chute,
 - before checking, cleaning or working on the mower,
 - after striking a foreign object. Inspect the mower for damage and make repairs before restarting and operating the mower,
 - whenever the mower starts vibrating abnormally.
3. Never operate the mower with defective guards or shields, or without safety devices, for example deflectors and/or grass basket, in place.
4. Avoid using the mower in bad weather conditions especially when there is a risk of lightning.
5. Wear eye protection and stout shoes at all times while operating the mower.
6. Operate the mower only in daylight or in good artificial light.
7. Switch on the mower carefully according to instructions and with feet well away from the blade(s).

8. Take care against injury to feet and hands from the mower blades.
9. Always ensure that the ventilation openings are kept clear of debris.
10. Mow across the face of slopes, never up and down. Exercise extreme caution when changing direction on slopes. Do not mow excessively steep slopes.
11. Use extreme caution when reversing or pulling the mower towards you.
12. Stop the blade(s) if the mower has to be tilted for transportation when crossing surfaces other than grass, and when transporting the mower to and from the area to be used.
13. Do not tilt the mower when switching on the motor, except if the mower has to be tilted for starting. In this case, do not tilt it more than absolutely necessary and lift only the part, which is away from the operator. Always ensure that both hands are in the operating position before returning the mower to the ground.
14. Do not put hands or feet near or under rotating parts. Keep clear of the discharge opening at all times.
15. Do not transport the mower while the mower is turned on.
16. Avoid operating the mower in wet grass.
17. Never operate the mower in the rain.
18. Always keep a firm hold on the handle.
19. Don't grasp the exposed cutting blades or cutting edges when picking up or holding the mower.
20. Keep hands and feet away from rotating blades. Caution - Blades coast after the mower is switched off.
21. Stop operation immediately if you notice anything unusual. Switch off the mower and remove the lock key. Then inspect the mower.
22. Never attempt to make cutting height adjustments while mower is running if the mower has cutting height adjustment feature.
23. Release switch lever and wait for blade rotation to stop before crossing driveways, walks, roads, and any gravel-covered areas. Also remove the lock key if you leave the mower, reach to pick up or remove something out of your way, or for any other reason that may distract you from what you are doing.
24. If the mower strikes a foreign object, follow these steps:
 - Stop the mower, release the switch lever and wait until the blade comes to a complete stop.
 - Remove the lock key and the battery cartridge.
 - Thoroughly inspect the mower for any damage.
 - Replace the blade if it is damaged in any way. Repair any damage before restarting and continuing to operate the mower.
25. Do not start the mower when standing in front of the discharge opening.
26. If the mower starts to vibrate abnormally (check immediately)

- inspect for damage,
 - replace or repair any damaged parts,
 - check for and tighten any loose parts.
27. **Never direct discharged material toward anyone. Avoid discharging material against a wall or obstruction.** Material may ricochet back toward the operator. Stop the blade when crossing gravel surfaces.
 28. **Do not pull the mower backwards unless absolutely necessary.** When you are compelled to back the mower from a fence or other similar obstruction, look down and behind before and while moving backwards.
 29. **Shut the motor off and wait until the blade comes to a complete stop before removing the grass catcher.** Beware that the blades coast after turn off.

Maintenance and storage

1. **Replace worn or damaged parts for safety. Use only genuine replacement parts and accessories.**
2. **Inspect and maintain the mower regularly.**
3. **When not in use, store the mower out of the reach of children.**
4. **Keep all nuts, bolts, and screws tight to be sure the equipment is in safe working condition.**
5. **Check the grass basket frequently for wear or deterioration. For storage, always make sure the grass basket is empty. Replace a worn grass basket with a new factory replacement for safety.**
6. **Use only the manufacturer genuine blades specified in this manual.**
7. **Be careful during adjustment of the mower to prevent entrapment of the fingers between moving blades and fixed parts of the mower.**
8. **Do not wash with a hose; avoid getting water in motor and electrical connections.**
9. **Check the blade mounting bolt at frequent intervals for proper tightness.**
10. **Always allow the mower to cool down before storing.**
11. **When servicing the blades be aware that, even though the power source is switched off, the blades can still be moved.**
12. **Never remove or tamper with safety devices. Check their proper operation regularly. Never do anything to interfere with the intended function of a safety device or to reduce the protection provided by a safety device.**

Battery tool use and care

1. **Recharge only with the charger specified by the manufacturer.** A charger that is suitable for one type of battery pack may create a risk of fire when used with another battery pack.
2. **Use power tools only with specifically designed battery packs.** Use of any other battery packs may create a risk of injury and fire.
3. **When battery pack is not in use, keep it away from other metal objects, like paper clips, coins, keys, nails, screws or other small metal objects, that can make a connection from one terminal to another.** Shorting the battery terminals together may cause burns or a fire.

4. **Under abusive conditions, liquid may be ejected from the battery; avoid contact. If contact accidentally occurs, flush with water. If liquid contacts eyes, additionally seek medical help.** Liquid ejected from the battery may cause irritation or burns.
5. **Do not use a battery pack or tool that is damaged or modified.** Damaged or modified batteries may exhibit unpredictable behaviour resulting in fire, explosion or risk of injury.
6. **Do not expose a battery pack or tool to fire or excessive temperature.** Exposure to fire or temperature above 130 °C may cause explosion.
7. **Follow all charging instructions and do not charge the battery pack or tool outside the temperature range specified in the instructions.** Charging improperly or at temperatures outside the specified range may damage the battery and increase the risk of fire.

Electrical and battery safety

1. **Do not dispose of the battery(ies) in a fire.** The cell may explode. Check with local codes for possible special disposal instructions.
2. **Do not open or mutilate the battery(ies).** Released electrolyte is corrosive and may cause damage to the eyes or skin. It may be toxic if swallowed.
3. **Do not charge battery in rain, or in wet locations.**
4. **Do not charge the battery outdoors.**
5. **Do not handle charger, including charger plug, and charger terminals with wet hands.**

Service

1. **Have your power tool serviced by a qualified repair person using only identical replacement parts.** This will ensure that the safety of the power tool is maintained.
2. **Never service damaged battery packs.** Service of battery packs should only be performed by the manufacturer or authorized service providers.

SAVE THESE INSTRUCTIONS.

⚠WARNING: DO NOT let comfort or familiarity with product (gained from repeated use) replace strict adherence to safety rules for the subject product.

MISUSE or failure to follow the safety rules stated in this instruction manual may cause serious personal injury.

Important safety instructions for battery cartridge

1. **Before using battery cartridge, read all instructions and cautionary markings on (1) battery charger, (2) battery, and (3) product using battery.**
2. **Do not disassemble or tamper the battery cartridge.** It may result in a fire, excessive heat, or explosion.
3. **If operating time has become excessively shorter, stop operating immediately. It may result in a risk of overheating, possible burns and even an explosion.**

4. **If electrolyte gets into your eyes, rinse them out with clear water and seek medical attention right away. It may result in loss of your eyesight.**
5. **Do not short the battery cartridge:**
 - (1) **Do not touch the terminals with any conductive material.**
 - (2) **Avoid storing battery cartridge in a container with other metal objects such as nails, coins, etc.**
 - (3) **Do not expose battery cartridge to water or rain.**

A battery short can cause a large current flow, overheating, possible burns and even a breakdown.
6. **Do not store and use the tool and battery cartridge in locations where the temperature may reach or exceed 50 °C (122 °F).**
7. **Do not incinerate the battery cartridge even if it is severely damaged or is completely worn out. The battery cartridge can explode in a fire.**
8. **Do not nail, cut, crush, throw, drop the battery cartridge, or hit against a hard object to the battery cartridge.** Such conduct may result in a fire, excessive heat, or explosion.
9. **Do not use a damaged battery.**
10. **The contained lithium-ion batteries are subject to the Dangerous Goods Legislation requirements.** For commercial transports e.g. by third parties, forwarding agents, special requirement on packaging and labeling must be observed. For preparation of the item being shipped, consulting an expert for hazardous material is required. Please also observe possibly more detailed national regulations. Tape or mask off open contacts and pack up the battery in such a manner that it cannot move around in the packaging.
11. **When disposing the battery cartridge, remove it from the tool and dispose of it in a safe place. Follow your local regulations relating to disposal of battery.**
12. **Use the batteries only with the products specified by Makita.** Installing the batteries to non-compliant products may result in a fire, excessive heat, explosion, or leak of electrolyte.
13. **If the tool is not used for a long period of time, the battery must be removed from the tool.**
14. **During and after use, the battery cartridge may take on heat which can cause burns or low temperature burns. Pay attention to the handling of hot battery cartridges.**
15. **Do not touch the terminal of the tool immediately after use as it may get hot enough to cause burns.**
16. **Do not allow chips, dust, or soil stuck into the terminals, holes, and grooves of the battery cartridge.** It may result in poor performance or breakdown of the tool or battery cartridge.
17. **Unless the tool supports the use near high-voltage electrical power lines, do not use the battery cartridge near a high-voltage electrical power lines.** It may result in a malfunction or breakdown of the tool or battery cartridge.

18. **Keep the battery away from children.**

SAVE THESE INSTRUCTIONS.

⚠ CAUTION: Only use genuine Makita batteries. Use of non-genuine Makita batteries, or batteries that have been altered, may result in the battery bursting causing fires, personal injury and damage. It will also void the Makita warranty for the Makita tool and charger.

Tips for maintaining maximum battery life

1. **Charge the battery cartridge before completely discharged. Always stop tool operation and charge the battery cartridge when you notice less tool power.**
2. **Never recharge a fully charged battery cartridge. Overcharging shortens the battery service life.**
3. **Charge the battery cartridge with room temperature at 10 °C - 40 °C (50 °F - 104 °F). Let a hot battery cartridge cool down before charging it.**
4. **When not using the battery cartridge, remove it from the tool or the charger.**
5. **Charge the battery cartridge if you do not use it for a long period (more than six months).**

ASSEMBLY

⚠ WARNING: Always be sure that the lock key and battery cartridge are removed before carrying out any work on the mower. Failure to remove the lock key and the battery cartridge may result in serious personal injury from accidental start-up.

⚠ WARNING: Never start the mower unless it is completely assembled. Operation of the machine in a partially assembled state may result in serious personal injury from accidental start-up.

Installing the battery cover

⚠ WARNING: Do not insert the lock key and battery cartridge before installing the battery cover. Failure to do so may cause a serious injury.

Install the battery cover completely before the operation. The battery cover protects the mower and battery cartridge from mud, dirt, and water.

1. Place the battery cover with the protrusions on the mower aligned with the holes on the battery cover.

► **Fig.1:** 1. Protrusion 2. Hole 3. Battery cover

2. Place your hands in the middle of the battery cover and push it.

► **Fig.2**

3. Before the first operation, check that the pivot point of the battery cover is attached properly. If the battery cover is installed correctly, it will not open until the battery cover locking lever is pulled.

► **Fig.3:** 1. Pivot point 2. Battery cover locking lever

Installing the handle

NOTICE: When installing handles, position the cords so that they are not caught by anything between the handles. If the cord is damaged, the mower switch may not work.

1. Slide the both ends of lower handle into the grooves of the mower then fully tighten the clamping screws.
▶ **Fig.4:** 1. Clamping screw 2. Lower handle
2. Align the screw holes of upper handle and lower handle. Secure them with the clamping screws and nuts.
▶ **Fig.5:** 1. Clamping nut 2. Clamping screw

NOTE: Hold the upper handle firmly so that it does not drop off your hand.

3. Attach the holders to the handle. Position the power supply cord as shown in the figure.
▶ **Fig.6:** 1. Holder

Removing the mulching plug

Optional accessory

1. Open the rear cover.
▶ **Fig.7:** 1. Rear cover
2. Hold the mulching plug by the handle, and then pull it out from the mower body as shown in the figure.
▶ **Fig.8:** 1. Mulching plug 2. Handle

Installing the grass basket

1. Open the rear cover.
▶ **Fig.9:** 1. Rear cover
2. Hook the grass basket on the rod of the mower body as shown in the figure.
▶ **Fig.10:** 1. Hook 2. Rod 3. Grass basket

Attaching the mulching plug

Optional accessory

1. Open the rear cover, and then remove the grass basket.
▶ **Fig.11:** 1. Rear cover 2. Grass basket
2. Hold the mulching plug by the handle, and then attach it to the mower body as shown in the figure.
▶ **Fig.12:** 1. Mulching plug 2. Handle

FUNCTIONAL DESCRIPTION

Installing or removing battery cartridge

CAUTION: Always switch off the machine before installing or removing of the battery cartridge.

CAUTION: Make sure that you lock the battery cover before use. Otherwise, mud, dirt, or water may cause damage to the product or the battery cartridge.

CAUTION: Always install the battery cartridge fully until the red indicator cannot be seen. If not, it may accidentally fall out of the machine, causing injury to you or someone around you.

CAUTION: Do not install the battery cartridge forcibly. If the cartridge does not slide in easily, it is not being inserted correctly.

NOTE: The machine does not work with only one battery cartridge.

To install the battery cartridge;

1. Slide the battery cover locking lever and open the battery cover.
▶ **Fig.13:** 1. Battery cover 2. Battery cover locking lever
2. Align the tongue on the battery cartridge with the slot on the mower then slide the cartridge until it locks in place with a little click.
▶ **Fig.14:** 1. Battery cartridge
3. Insert the lock key in the place shown in the figure as far as it will go.
▶ **Fig.15:** 1. Lock key

4. Close the battery cover and push it until it is latched with the locking lever.

To remove the battery cartridge from the mower;

1. Slide the battery cover locking lever and open the battery cover.
2. Pull out the battery cartridge from the mower while sliding the button on the front of the cartridge.
3. Pull out the lock key.
4. Close the battery cover.

Machine / battery protection system

The machine is equipped with a machine/battery protection system. This system automatically cuts off power to the motor to extend tool and battery life. The machine will automatically stop during operation if the machine or battery is placed under one of the following conditions.

Overload protection

When the machine is operated in a manner that causes it to draw an abnormally high current, the machine automatically stops without any indication. In this situation, turn the machine off and stop the application that caused the machine to become overloaded. Then turn the machine on to restart.

Overheat protection

When the machine is overheated, the machine stops automatically. Let the machine cool down before turning the machine on again.

Overdischarge protection

When the battery capacity becomes low, the machine stops automatically. If the product does not operate even when the switches are operated, remove the batteries from the machine and charge the batteries.

Indicating the remaining battery capacity

► **Fig.16:** 1. Battery indicator

When the remaining battery capacity gets low, the battery indicator blinks on the applicable battery side. By further use, the machine stops and the battery indicator lights up about 10 seconds. In this situation, charge the battery cartridge.

Indicating the remaining battery capacity

Only for battery cartridges with the indicator

► **Fig.17:** 1. Indicator lamps 2. Check button

Press the check button on the battery cartridge to indicate the remaining battery capacity. The indicator lamps light up for a few seconds.

Indicator lamps			Remaining capacity
Lighted	Off	Blinking	
			75% to 100%
			50% to 75%
			25% to 50%
			0% to 25%
			Charge the battery.
			The battery may have malfunctioned.

NOTE: Depending on the conditions of use and the ambient temperature, the indication may differ slightly from the actual capacity.

Switch action

WARNING: Before installing the battery cartridge, always check to see that the switch lever actuates properly and returns to the original position when released. Operating a machine with a switch that does not actuate properly can lead to loss of control and serious personal injury.

NOTE: The mower does not start without pressing the switch button even the switch lever is pulled.

NOTE: Mower may not start due to the overload when you try to mow long or dense grass at a time. Increase the mowing height in this case.

This mower is equipped with the interlock switch and handle switch. If you notice anything unusual with either of these switches, stop operation immediately and have them checked by your nearest Makita Authorized Service Center.

1. Install the battery cartridges. Insert the lock key into the interlock switch and then close the battery cover.

► **Fig.18:** 1. Battery cartridge 2. Lock key

2. Press the switch button and hold it.

3. Grab the upper handle and pull the switch lever.

► **Fig.19:** 1. Switch button 2. Switch lever

4. Release the switch button as soon as the motor starts running. The mower will continue to run until you release the switch lever.

5. Release the switch lever to stop the motor.

Adjusting the mowing height

WARNING: Never put your hand or leg under the mower body when adjusting the mowing height.

WARNING: Always make sure that the lever fits in the groove properly before operation.

The mowing height can be adjusted in the range of between 20 mm and 75 mm.

1. Remove the lock key.

2. Pull the mowing height adjusting lever to the outward of the mower body and move it to your desired mowing height.

► **Fig.20:** 1. Mowing height adjusting lever

NOTE: The mowing height figures should be used just as a guideline. Depending on the conditions of the lawn or the ground, the actual lawn height may become slightly different from the set height.

NOTE: Try a test mowing of grass in a less conspicuous place to get your desired height.

Grass level indicator

► **Fig.21:** 1. Grass level indicator

Grass level indicator shows the volume of mowed grass.

- When the grass basket is not full, the indicator floats during mowing.
- When the grass basket is full, the indicator does not float during mowing. In this case, stop mowing immediately and empty the basket. After emptying the basket, clean it so that its meshwork vents the air.

NOTE: This indicator is a rough guide. Depending on the conditions of inside of the basket, this indicator may not work properly.

Using mulching plug

Optional accessory

The mulching plug allows you to return the cut grass to the ground without gathering the cut grass in the grass basket. When you operate the machine with the mulching plug, be sure to remove the grass basket.

NOTICE: When using the machine with the mulching plug, make sure that the total length of grass after cutting is 30 mm or more, and the cut length is 15 mm or less.

► Fig.22: (1) 30 mm or more (2) 15 mm or less

OPERATION

Mowing

⚠ WARNING: Before mowing, clear away sticks and stones from mowing area. Furthermore, clear away any weeds from mowing area in advance.

⚠ WARNING: Always wear the safety goggles or safety glasses with side shields when operating the mower.

⚠ CAUTION: If the cut grass or foreign object blocks up inside of the mower body, be sure to remove the lock key and battery cartridge and wear gloves before removing the grass or foreign object.

NOTICE: Use this machine for mowing lawn only. Do not mow weeds with this machine.

► Fig.23

Firmly hold the handle with both hands when mowing. The mowing speed guideline is approximately 1 meter per 4 seconds.

► Fig.24

The outside edges of the front wheels are guidelines to mowing width. Using the outside edges of the front wheels as guidelines, mow in strips. Overlap by one half to one third the previous strip to mow the lawn evenly.

► Fig.25: 1. Mowing width 2. Overlapping area
3. Outside edge

Change the mowing direction each time to prevent the grass grain pattern from forming in just one direction.

► Fig.26

Periodically check the grass basket for mowed grass. Empty the grass before it becomes full. Before every periodical check, be sure to stop the mower then remove the lock key and the battery cartridge.

NOTICE: Using the mower with the grass basket full prevents smooth blade rotation and places an extra load on the motor, which may cause breakdown.

Mowing a long-grass lawn

Do not try to cut long grass all in one go. Instead, mow the lawn in some steps. Leave a day or two between mows until the lawn becomes evenly short.

NOTE: Mowing long grass to a short length all in one go may cause the grass to die. The cut grass may also block up inside of the mower body.

Emptying the grass basket

⚠ WARNING: To reduce a risk of accident, regularly check the grass basket for any damage or weakened strength. Replace the grass basket if necessary.

1. Release the switch lever.
2. Remove the lock key.
3. Open the rear cover and take out the grass basket by holding the handle.
► Fig.27: 1. Rear cover 2. Handle
4. Empty the grass basket.

MAINTENANCE

⚠ WARNING: Always be sure that the lock key and battery cartridge are removed from the mower before storing or carrying the mower or attempting to perform inspection or maintenance.

⚠ WARNING: Always remove the lock key when the mower is not in use. Store the lock key in a safe place out of reach of children.

⚠ WARNING: Wear gloves when performing inspection or maintenance.

⚠ WARNING: Always wear the safety goggles or safety glasses with side shields when performing inspection or maintenance.

NOTICE: Never use gasoline, benzine, thinner, alcohol or the like. Discoloration, deformation or cracks may result.

To maintain product SAFETY and RELIABILITY, repairs, any other maintenance or adjustment should be performed by Makita Authorized or Factory Service Centers, always using Makita replacement parts.

Maintenance

1. Remove the lock key. Store it in a safe place out of the reach of children.
2. Clean the mower using only a wet cloth. Do not spray or pour water on the mower when cleaning.
3. Put the mower on its side and clean grass clippings accumulated on the underside of mower deck.
4. Check all nuts, bolts, knobs, screws, fasteners etc. for tightness.
5. Inspect moving parts for damage, breakage, and wear. Damaged or missing parts should be repaired or replaced.

Storage

⚠ WARNING: When carrying or storing the mower, do not hold the folded handles but the front grip of the mower. Holding the folded handles may cause a serious injury or damage to the mower.

Before storing the mower, remove the battery cartridge and lock key.

Store mower indoors in a cool, dry and locked place. Don't store the mower and charger in locations where the temperature may reach or exceed 40 °C.

► **Fig.28:** 1. Front grip 2. Rear grip

1. Loosen the clamping screws and expand the lower handle to both sides. Move down the handle forward. At this time, keep a firm grip on the lower handle so that the handle does not fall down to the far side from the mower body.

► **Fig.29:** 1. Clamping screw 2. Lower handle

2. Loosen the clamping nuts and pivot the upper handle back while expanding the both sides.

► **Fig.30:** 1. Clamping nut 2. Upper handle

3. Store the grass basket between the handle and the mower body.

► **Fig.31:** 1. Grass basket

NOTE: When putting the mower in the upright position, do not hold the handle but use the front grip of the mower.

Removing or installing the mower blade

⚠ WARNING: Always remove the lock key and battery cartridge when removing or installing the blade. Failure to remove the lock key and battery cartridge may cause a serious injury.

⚠ WARNING: The blade coasts for a few seconds after releasing the switch. Do not start any operation until the blade comes to a complete stop.

⚠ WARNING: Always wear gloves when handling the blade.

Removing the mower blade

For DLM382

1. Put the mower on its side so that the mowing height adjusting lever comes to the upper side.

2. To lock the blade rotation, insert a screwdriver or a similar tool into a hole on the mower body.

3. Turn the bolt counterclockwise with the wrench.

► **Fig.32:** 1. Mower blade 2. Screwdriver 3. Wrench

4. Remove the bolt and blade in order.

► **Fig.33:** 1. Blade support 2. Mower blade 3. Bolt

For DLM432

1. Put the mower on its side so that the mowing height adjusting lever comes to the upper side.

2. To lock the blade rotation, insert a screwdriver or a similar tool into a hole on the mower body.

3. Turn the bolt counterclockwise with the wrench.

► **Fig.34:** 1. Mower blade 2. Screwdriver 3. Wrench

4. Remove the bolt, outer flange, mower blade, and inner flange in order.

► **Fig.35:** 1. Inner flange 2. Mower blade 3. Outer flange 4. Bolt

Installing the mower blade

To install the mower blade, take the removal procedure in reverse.

⚠ WARNING: Install the mower blade carefully. It has a top/bottom facing. Place the blade so that the rotational direction arrow faces outward.

⚠ WARNING: Tighten the bolt clockwise firmly to secure the blade.

⚠ WARNING: Make sure that the mower blade and all the fixing parts are installed correctly and tightened securely.

⚠ WARNING: When you replace the blades, always follow the instructions provided in this manual.

TROUBLESHOOTING

Before asking for repairs, conduct your own inspection first. If you find a problem that is not explained in the manual, do not attempt to dismantle the tool. Instead, ask Makita Authorized Service Centers, always using Makita replacement parts for repairs.

State of abnormality	Probable cause (malfunction)	Remedy
Mower does not start.	Two battery cartridges are not installed.	Install the charged battery cartridges.
	Battery problem (under voltage)	Recharge the battery cartridge. If recharging is not effective, replace battery cartridge.
	The lock key is not inserted.	Insert the lock key.
Motor stops running after a little use.	Battery's charge level is low.	Recharge the battery cartridge. If recharging is not effective, replace battery cartridge.
	Cutting height is too low.	Increase the cutting height.
Motor does not reach maximum RPM.	Battery cartridge is installed improperly.	Install the battery cartridge as described in this manual.
	Battery power is dropping.	Recharge the battery cartridge. If recharging is not effective, replace battery cartridge.
	The drive system does not work correctly.	Ask your local authorized service center for repair.
Mower blade does not rotate: ⇒ stop the mower immediately!	Foreign object such as a branch is jammed near the blade.	Remove the foreign object.
	The drive system does not work correctly.	Ask your local authorized service center for repair.
Abnormal vibration: ⇒ stop the mower immediately!	Blade is imbalanced, excessively or unevenly worn.	Replace the blade.

OPTIONAL ACCESSORIES

⚠ CAUTION: These accessories or attachments are recommended for use with your Makita tool specified in this manual. The use of any other accessories or attachments might present a risk of injury to persons. Only use accessory or attachment for its stated purpose.

If you need any assistance for more details regarding these accessories, ask your local Makita Service Center.

- Mower blade
- Mulching plug
- Makita genuine battery and charger

NOTE: Some items in the list may be included in the tool package as standard accessories. They may differ from country to country.

DANE TECHNICZNE

Model:		DLM382	DLM432
Szerokość koszenia (średnica noża)		380 mm	430 mm
Prędkość bez obciążenia		3 700 min ⁻¹	3 600 min ⁻¹
Numer części zamiennego noża kosiarki		191D41-2	191D43-8
Wymiary (dług. x szer. x wys.)	podczas pracy	D: 1 380 mm do 1 410 mm Sz: 450 mm W: 985 mm do 1 005 mm	D: 1 435 mm do 1 490 mm Sz: 460 mm W: 1 005 mm do 1 045 mm
	podczas przechowywania (bez kosza na trawę)	860 mm x 450 mm x 475 mm	865 mm x 460 mm x 475 mm
Napięcie znamionowe		Prąd stały 36 V	
Masa netto		15,0–16,5 kg	15,4–17,1 kg

- W związku ze stale prowadzonym przez naszą firmę programem badawczo-rozwojowym niniejsze dane mogą ulec zmianom bez wcześniejszego powiadomienia.
- Dane techniczne mogą różnić się w zależności od kraju.
- Masa może być różna w zależności od osprzętu, w tym akumulatora. W tabeli przedstawiona jest najlżejsza i najcięższa konfiguracja, zgodnie z procedurą EPTA 01/2014.

Kompatybilne akumulatory i ładowarki

Akumulator	BL1815N / BL1820 / BL1820B / BL1830 / BL1830B / BL1840 / BL1840B / BL1850 / BL1850B / BL1860B
Ładowarka	DC18RC / DC18RD / DC18RE / DC18SD / DC18SE / DC18SF / DC18SH

- Pewne z wymienionych powyżej akumulatorów i ładowarek mogą być niedostępne w regionie zamieszkania użytkownika.

⚠ OSTRZEŻENIE: Należy używać wyłącznie akumulatorów i ładowarek wymienionych powyżej. Używanie innych akumulatorów i ładowarek może stwarzać ryzyko wystąpienia obrażeń ciała lub pożaru.

⚠ OSTRZEŻENIE: Nie używać z tą maszyną przewodowych źródeł zasilania, takich jak adapter akumulatora lub przenośna jednostka zasilająca. Przewód takiego źródła zasilania może utrudniać pracę, a w konsekwencji może dojść do obrażeń ciała.

Symbole

Poniżej pokazano symbole, jakie mogą być zastosowane na urządzeniu. Przed rozpoczęciem użytkowania należy zapoznać się z ich znaczeniem.

	Zachować szczególną ostrożność.
	Przeczytać instrukcję obsługi.
	Niebezpieczeństwo; uważać na wyrzucane przedmioty.
	Minimalna odległość między narzędziem a osobami postronnymi musi wynosić co najmniej 15 m.
	Nigdy nie wkładać rąk ani stóp pod kosiarkę, w pobliżu noża. Noże obracają się nawet po wyłączeniu silnika.
	Przed przystąpieniem do kontroli, regulacji, czyszczenia, naprawy, a także przed oddaleniem się od urządzenia lub jego schowaniem należy wyjąć kluczyk.



Dotyczy tylko państw UE
Nie wyrzucać urządzeń elektrycznych ani akumulatorów wraz z odpadami z gospodarstwa domowego!
Zgodnie z dyrektywami europejskimi w sprawie zużytego sprzętu elektrycznego i elektronicznego oraz baterii i akumulatorów oraz zużytych baterii i akumulatorów, a także dostosowaniem ich do prawa krajowego, zużyte urządzenia elektryczne, baterie i akumulatory, należy składować osobno i przekazywać do zakładu recyklingu działającego zgodnie z przepisami dotyczącymi ochrony środowiska.

Przeznaczenie

Maszyna ta jest przeznaczona do koszenia trawników.

Hałas

Typowy równoważny poziom dźwięku A określony w oparciu o normę EN60335-2-77:

Model DLM382

Poziom ciśnienia akustycznego (L_{pA}): 81 dB(A)

Poziom mocy akustycznej (L_{WA}): 91 dB (A)

Niepewność (K): 3 dB(A)

Model DLM432

Poziom ciśnienia akustycznego (L_{pA}): 81 dB(A)

Poziom mocy akustycznej (L_{WA}): 92 dB (A)

Niepewność (K): 3 dB(A)

WSKAZÓWKA: Deklarowana wartość emisji hałasu została zmierzona zgodnie ze standardową metodą testową i można ją wykorzystać do porównywania narzędzi.

WSKAZÓWKA: Deklarowaną wartość emisji hałasu można także wykorzystać we wstępnej ocenie narażenia.

⚠️ OSTRZEŻENIE: Nosić ochronniki słuchu.

⚠️ OSTRZEŻENIE: Poziom hałasu wytwarzanego podczas rzeczywistego użytkowania elektronarzędzia może się różnić od wartości deklarowanej w zależności od sposobu użytkowania narzędzia, a w szczególności od rodzaju obrabianego elementu.

⚠️ OSTRZEŻENIE: W oparciu o szacowane narażenie w rzeczywistych warunkach użytkowania należy określić środki bezpieczeństwa w celu zapewnienia ochrony operatora (uwzględniając wszystkie elementy cyklu działania, tj. czas, kiedy narzędzie jest wyłączone i kiedy pracuje na biegu jałowym, a także czas, kiedy jest włączone).

Drgania

Całkowita wartość poziomu drgań (suma wektorów w 3 osiach) określona zgodnie z normą EN60335-2-77:

Model DLM382

Emisja drgań (a_n): 2,5 m/s² lub mniej

Niepewność (K): 2,0 m/s²

Model DLM432

Emisja drgań (a_n): 2,5 m/s² lub mniej

Niepewność (K): 1,5 m/s²

WSKAZÓWKA: Deklarowana wartość poziomu drgań została zmierzona zgodnie ze standardową metodą testową i można ją wykorzystać do porównywania narzędzi.

WSKAZÓWKA: Deklarowaną wartość poziomu drgań można także wykorzystać we wstępnej ocenie narażenia.

⚠️ OSTRZEŻENIE: Drgania wytwarzane podczas rzeczywistego użytkowania elektronarzędzia mogą się różnić od wartości deklarowanej w zależności od sposobu użytkowania narzędzia, a w szczególności od rodzaju obrabianego elementu.

⚠️ OSTRZEŻENIE: W oparciu o szacowane narażenie w rzeczywistych warunkach użytkowania należy określić środki bezpieczeństwa w celu zapewnienia ochrony operatora (uwzględniając wszystkie elementy cyklu działania, tj. czas, kiedy narzędzie jest wyłączone i kiedy pracuje na biegu jałowym, a także czas, kiedy jest włączone).

Deklaracja zgodności WE

Dotyczy tylko krajów europejskich

Deklaracja zgodności WE jest dołączona jako załącznik A do niniejszej instrukcji obsługi.

OSTRZEŻENIA DOTYCZĄCE BEZPIECZEŃSTWA

WAŻNE ZASADY BEZPIECZEŃSTWA

⚠️ OSTRZEŻENIE: Przeczytać wszystkie ostrzeżenia bezpieczeństwa i wszystkie instrukcje. Niezastosowanie się do wspomnianych ostrzeżeń i instrukcji może doprowadzić do porażenia prądem elektrycznym, pożaru i/lub poważnych obrażeń ciała.

Wszystkie ostrzeżenia i instrukcje należy zachować do wykorzystania w przyszłości.

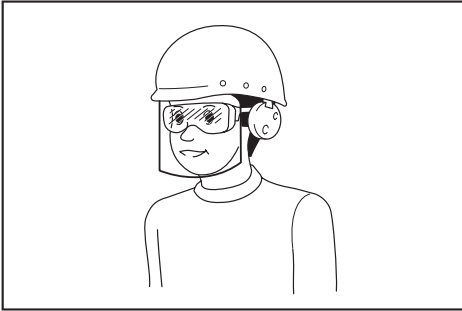
Informacje podstawowe

1. Należy uważnie przeczytać niniejszą instrukcję. Należy zapoznać się z elementami sterowania i zasadami poprawnego użytkowania kosiarki.
2. Nie dopuszczaj, aby kosiarka była używana przez dzieci lub osoby, które nie zapoznały się z niniejszą instrukcją. Lokalne przepisy mogą ograniczać wiek użytkownika.
3. Nie wolno użytkować kosiarki, gdy w pobliżu znajdują się inne osoby, zwłaszcza dzieci, oraz zwierzęta.
4. Należy pamiętać, że operator lub użytkownik odpowiada za wypadki lub niebezpieczeństwa zagrażające innym osobom lub ich mieniu.
5. Należy zwracać uwagę, aby dzieci nie bawiły się kosiarką.
6. Kondycja fizyczna – nie używać kosiarki pod wpływem narkotyków, alkoholu lub leków.

Przygotowanie

1. Podczas użytkowania kosiarki zawsze należy nosić odpowiednio mocne obuwie i długie spodnie. Nie wolno używać kosiarki, nie mając na stopach obuwia lub nosząc otwarte sandały. Unikaj noszenia luźnej odzieży lub biżuterii, a także wiszących ozdób lub krawatów. Mogą się one zahaczyć o ruchome części.
2. Przed użyciem kosiarkę zawsze należy sprawdzić wzrokowo pod kątem uszkodzonych bądź brakujących lub nieprawidłowo założonych osłon i pokryw.
3. Upewnij się, że w miejscu koszenia nie są obecne inne osoby. Wyłącz kosiarkę w przypadku pojawienia się jakichkolwiek osób na terenie przeznaczonym do koszenia.
4. Nie wkładaj kluczyka do kosiarki, dopóki nie jest ona gotowa do pracy.

5. Należy zawsze nosić okulary ochronne, aby zabezpieczyć oczy przed urazami podczas użytkowania elektronarzędzi. Okulary ochronne muszą spełniać wymagania normy ANSI Z87.1 w USA, EN 166 w Europie oraz AS/NZS 1336 w Australii/ Nowej Zelandii. Przepisy prawne obowiązujące w Australii/Nowej Zelandii wymagają również obowiązkowego stosowania osłony twarzy.



Odpowiedzialność za egzekwowanie używania odpowiednich środków ochrony osobistej przez operatorów narzędzi oraz inne osoby przebywające w bezpośrednim sąsiedztwie obszaru roboczego ponosi pracodawca.

6. Przed przystąpieniem do pracy sprawdzić dokładnie noże lub śruby noży pod kątem ewentualnych pęknięć lub uszkodzeń. Popękane lub uszkodzone noże lub śruby noży należy niezwłocznie wymienić.
7. W celu niedopuszczenia do powstania obrażeń ciała lub uszkodzenia kosiarki przed przystąpieniem do koszenia należy usunąć z terenu koszenia wszystkie przedmioty, takie jak kamienie, druty, butelki, kości oraz większe gałęzie.
8. Przedmioty odrzucone przez nóż kosiarki mogą spowodować poważne obrażenia u osób znajdujących się w pobliżu. Przed każdym przystąpieniem do koszenia należy sprawdzić i oczyścić trawnik ze wszystkich niepożądanych rzeczy.
9. Zwracać uwagę na dziury w ziemi, koleiny, wyboje, kamienie i inne ukryte przeszkody. Nierówny teren może spowodować potknięcia i upadki. Wysoka trawa może ograniczać widoczność przeszkód.

Obsługa

1. Nie sięgać zbyt daleko. Zawsze należy utrzymywać równowagę. Podczas pracy na pochylonym terenie należy zadbać o dobre oparcie dla nóg. Podczas użytkowania urządzenia należy chodzić, a nie biegać.
2. Zatrzymać kosiarkę i wyjąć kluczyk oraz upewnić się, że wszystkie ruchome elementy kosiarki się zatrzymały:
 - gdy operator oddala się od kosiarki;
 - przed usunięciem niedrożności i odblokowaniem kanału wyrzutnika;
 - przed sprawdzaniem, czyszczeniem lub konserwacją kosiarki;
 - po natrafieniu na obcy przedmiot. Przed ponownym uruchomieniem i użytkowaniem kosiarki należy sprawdzić ją pod kątem występowania uszkodzeń i wykonać ewentualne naprawy.
 - gdy kosiarka zaczyna drgać w nietypowy sposób.
3. Nie używać kosiarki z uszkodzonymi osłonami lub pokrywami bądź ze zdjętymi zabezpieczeniami, takimi jak płyta odchylająca i/lub kosz na trawę.
4. Unikać korzystania z kosiarki przy złej pogodzie, w szczególności podczas burzy.
5. Przez cały czas użytkowania kosiarki należy nosić osłonę oczu i solidne buty.
6. Użytkować kosiarkę tylko przy świetle dziennym lub odpowiednio silnym sztucznym oświetleniu.
7. Kosiarkę należy uruchamiać zgodnie z instrukcją, trzymając stopy z dala od noży.
8. Należy chronić stopy i dłonie przed obrażeniami ze strony noży kosiarki.
9. Zawsze należy dbać, aby otwory wentylacyjne nie były zatkane przez zanieczyszczenia.
10. Kosić trawę w poprzek pochyłości; nigdy pod górę ani w dół. Należy zachować szczególną ostrożność przy zmianie kierunku na pochyłościach. Nie wolno kosić trawy na stromych pochyłościach.
11. Zachować szczególną ostrożność w przypadku cofania lub ciągnięcia kosiarki w swoim kierunku.
12. Należy poczekać na zatrzymanie noża w przypadku konieczności przechylenia kosiarki, przejechania nią przez nawierzchnię inną niż trawa lub w przypadku konieczności przetransportowania jej do lub z obszaru użytkowania.
13. Nie przechylać kosiarki podczas uruchamiania silnika, poza przypadkiem gdy kosiarka musi zostać przechylona w celu rozpoczęcia pracy. W takim przypadku nie wolno przechylać kosiarki bardziej, niż jest to absolutnie konieczne; należy unosić tylko tę część kosiarki, która jest oddalona od użytkownika. Przed opuszczeniem kosiarki na podłoże należy zawsze upewnić się, że obydwie ręce są w położeniu roboczym.
14. Nie zbliżać i nie wkładać dłoni ani stóp pod wirujące części. Nie zasłaniać nigdy wylotu wyrzutnika.
15. Nie transportować włączonej kosiarki.
16. Unikać koszenia mokrej trawy.
17. Nigdy nie używać kosiarki podczas deszczu.
18. Zawsze trzymać urządzenie mocno za uchwyt.
19. Podczas podnoszenia lub przenoszenia kosiarki nigdy nie chwycać za noże lub krawędzie tnące.
20. Trzymać ręce oraz stopy z dala od obracających się noży. Przestroga – po wyłączeniu kosiarki noże obracają się dalej siłą rozpędu.
21. W przypadku zauważenia jakichkolwiek nieprawidłowości należy natychmiast przerwać pracę. Wyłączyć kosiarkę i wyjąć kluczyk. Następnie przeprowadzić kontrolę kosiarki.
22. Nigdy nie podejmować prób regulacji wysokości cięcia podczas pracy kosiarki, jeśli kosiarka jest wyposażona w mechanizm regulacji wysokości cięcia.
23. Zwołnić dźwignię przełącznika i poczekać na zatrzymanie się noża przed przejściem przez podjazd, ścieżkę, drogę lub inny obszar o nawierzchni żwirowej. W przypadku oddalenia się od kosiarki w celu podniesienia lub usunięcia czegoś z drogi lub z jakiegokolwiek innego powodu przyczyniającego się bezpośrednio do przerwania pracy należy również wyjąć kluczyk.

24. **W przypadku natrafienia przez kosiarkę na obcy przedmiot należy postępować zgodnie z następującą procedurą:**
 - Wyłączyć kosiarkę, zwolnić dźwignię przełącznika i poczekać do momentu całkowitego zatrzymania się noża.
 - Wyjąć kluczyk i akumulator.
 - Sprawdzić dokładnie kosiarkę pod kątem występowania jakichkolwiek uszkodzeń.
 - W przypadku jakiegokolwiek uszkodzenia noża należy wymienić go na nowy. Przed ponownym uruchomieniem i kontynuowaniem koszenia należy naprawić wszelkie powstałe uszkodzenia.
25. **Nie uruchamiać kosiarki, stojąc przed wylotem wyrzutnika.**
26. **Jeśli kosiarka zaczyna drgać w nietypowy sposób (natychmiast sprawdź):**
 - sprawdź pod kątem występowania uszkodzenia,
 - wymienić lub naprawić uszkodzone części,
 - sprawdź pod kątem poluzowanych części i, jeśli takie występują, dokręć je.
27. **Nigdy nie kierować strumienia wyrzucanego materiału (trawy itp.) w stronę osób. Unikać wyrzucania materiału (trawy itp.) na ściany i przeszkody.** Wyrzucany materiał może odbić się i polecieć w kierunku operatora. Podczas przejeżdżania przez powierzchnie pokryte żwirem nóż należy zatrzymać.
28. **Kosiarki nie należy pociągać w kierunku wstecznym, chyba że jest to absolutnie niezbędne.** Jeśli konieczne jest wycofanie kosiarki spod ogrodzenia lub podobnej przeszkody, przed wycofaniem kosiarki i podczas tej czynności należy rozglądać się za siebie oraz pod nogi.
29. **Przed zdjęciem chwytaka trawy należy wyłączyć silnik i poczekać, aż nóż zatrzyma się całkowicie.** Zachować ostrożność, ponieważ po wyłączeniu noże dalej obracają się siłą rozpędu.

Konserwacja i przechowywanie

1. **Ze względów bezpieczeństwa należy wymienić zużyte lub uszkodzone części. Używać tylko oryginalnych części zamiennych oraz akcesoriów.**
2. **Kosiarkę należy regularnie sprawdzać i poddawać czynnościom konserwacyjnym.**
3. **Gdy kosiarka nie jest używana, należy ją przechowywać w bezpiecznym, niedostępnym dla dzieci miejscu.**
4. **Wszystkie nakrętki, wkręty i śruby powinny być dokręcone, co pozwoli utrzymać urządzenie w bezpiecznym stanie technicznym.**
5. **Regularnie sprawdzać kosz na trawę pod kątem zużycia lub występowania uszkodzeń. Kosiarkę należy przechowywać wyłącznie z opróżnionym koszem na trawę. W celu zachowania bezpieczeństwa zużyty kosz na trawę należy wymienić na nowy, oryginalny kosz.**
6. **Używać wyłącznie oryginalnych noży wymienionych w niniejszej instrukcji.**
7. **Zachować ostrożność podczas regulacji kosiarki w celu niedopuszczenia do utknięcia palców pomiędzy poruszającymi się nożami oraz zamocowanymi na stałe częściami kosiarki.**
8. **Nie czyścić urządzenia za pomocą węża z wodą; unikać przedostawania się wody do silnika oraz połączeń elektrycznych.**
9. **Regularnie sprawdzać śrubę mocującą noża pod kątem prawidłowego dokręcenia.**
10. **Przed schowaniem kosiarki należy zawsze odczekać, aż ostygnie.**
11. **Podczas obsługi noży należy pamiętać, że nawet w przypadku wyłączenia zasilania, noże mogą nadal się poruszać.**
12. **Urządzeń zabezpieczających nie należy zdejmować ani modyfikować. Należy regularnie sprawdzać, czy działają poprawnie. Nigdy nie należy robić niczego, co mogłoby uniemożliwić urządzeniom zabezpieczającym pełnienie ich zamierzonej funkcji, ani nie można w żaden sposób ograniczać ochrony, którą zapewniają te urządzenia.**

Użytkowanie narzędzi akumulatorowych i dbałość o nie

1. **Akumulator należy ładować wyłącznie przy użyciu określonej przez producenta ładowarki.** Ładowarka przeznaczona do jednego typu akumulatora może stwarzać zagrożenie pożarem, gdy będzie używana do ładowania innego akumulatora.
2. **Do zasilania elektronarzędzi używać tylko specjalnie do tego celu przeznaczonych akumulatorów.** Używanie innych akumulatorów może stwarzać ryzyko wystąpienia obrażeń ciała lub pożaru.
3. **Gdy akumulator nie jest używany, należy zabezpieczyć go przed kontaktem z metalowymi przedmiotami, typu spinacze, monety, klucze, gwoździe, wkręty lub innymi metalowymi drobiazgami, które mogą powodować zwarcie styków akumulatora.** Zwarcie styków akumulatora grozi poparzeniami lub pożarem.
4. **W niewłaściwych warunkach eksploatacji może dojść do wycieku elektrolitu z akumulatora. Nie należy go dotykać. W razie przypadkowego kontaktu należy przemyć skażoną skórę wodą. W przypadku dostania się elektrolitu do oczu należy dodatkowo skorzystać z porady lekarza.** Elektrolit z akumulatora może powodować podrażnienia lub poparzenia.
5. **Nie używać uszkodzonego lub przerobionego akumulatora ani narzędzia.** Uszkodzone lub przerobione akumulatory mogą działać w nieprzewidywalny sposób i spowodować pożar, wybuch lub obrażenia ciała.
6. **Nie wystawiać akumulatora ani narzędzia na działanie ognia ani nadmiernej temperatury.** Narażenie na ogień lub temperaturę wyższą niż 130°C może spowodować wybuch.
7. **Przestrzegać wszystkich instrukcji ładowania i nie ładować akumulatora ani narzędzia w temperaturze wykraczającej poza zakres określony w instrukcji.** Nieprawidłowe ładowanie lub temperatury wykraczająca poza określony zakres mogą spowodować uszkodzenie akumulatora oraz wzrost zagrożenia pożarem.

Zasady bezpieczeństwa dotyczące urządzeń elektrycznych i akumulatora

1. **Nie wyrzucać akumulatorów do ognia.** Ogniu może eksplodować. Należy zapoznać się z obowiązującymi lokalnie przepisami, które określają specjalne wytyczne dotyczące utylizacji odpadów.
2. **Nie wolno otwierać ani niszczyć akumulatorów.** Uwolniony elektrolit jest substancją żrącą, która może spowodować uszkodzenie oczu lub skóry. W przypadku połknięcia może być trujący.
3. **Akumulatora nie należy ładować w deszczu ani w wilgotnym otoczeniu.**
4. **Nie ładować akumulatora na zewnątrz.**
5. **Nie dotykać ładowarki, w tym jej wtyczki i styków, mokrymi rękami.**

Serwis

1. **Elektronarzędzie powinno być serwisowane przez wykwalifikowany personel, z użyciem wyłącznie oryginalnych części zamiennych.** Zapewni to zachowanie bezpieczeństwa pracy z elektronarzędziem.
2. **Nie wolno naprawiać uszkodzonych akumulatorów.** Naprawa akumulatorów powinna być wykonywana wyłącznie przez producenta lub autoryzowane punkty usługowe.

ZACHOWAĆ NINIEJSZE INSTRUKCJE.

⚠ OSTRZEŻENIE: NIE WOLNO pozwolić, aby wygoda lub rutyna (nabyta w wyniku wielokrotnego używania urządzenia) zastąpiły ściśle przestrzeganie zasad bezpieczeństwa obsługi.

NIEWŁAŚCIWE UŻYTKOWANIE narzędzia lub niestosowanie się do zasad bezpieczeństwa podanych w niniejszej instrukcji obsługi może prowadzić do poważnych obrażeń ciała.

Ważne zasady bezpieczeństwa dotyczące akumulatora

1. **Przed użyciem akumulatora zapoznać się ze wszystkimi instrukcjami i znakami ostrzegawczymi na (1) ładowarce, (2) akumulatorze i (3) produkcie, w którym będzie używany akumulator.**
2. **Nie rozmontowywać ani modyfikować akumulatora.** Może to spowodować pożar, przegrzanie lub wybuch.
3. **Jeśli czas działania uległ znacznemu skróceniu, należy natychmiast przerwać pracę.** Może bowiem dojść do przegrzania, ewentualnych poparzeń, a nawet eksplozji.
4. **W przypadku przedostania się elektrolitu do oczu, przemyć je czystą wodą i niezwłocznie uzyskać pomoc lekarską.** Może on bowiem spowodować utratę wzroku.
5. **Nie doprowadzać do zwarcia akumulatora:**
 - (1) **Nie dotykać styków materiałami przewodzącymi prąd.**
 - (2) **Unikać przechowywania akumulatora w pojemniku z metalowymi przedmiotami, takimi jak gwoździe, monety itp.**
- (3) **Chronić akumulator przed deszczem lub wodą.**

Zwarcie prowadzi do przepływu prądu elektrycznego o dużym natężeniu i przegrzania akumulatora, co w konsekwencji może grozić poparzeniami a nawet awarią urządzenia.
6. **Narzędzia i akumulatora nie wolno przechowywać ani używać w miejscach, w których temperatura osiąga bądź przekracza 50°C (122°F).**
7. **Akumulatorów nie wolno spalać, również tych poważnie uszkodzonych lub całkowicie zużytych.** Akumulator może eksplodować w ogniu.
8. **Nie należy przecinać ani zginać akumulatora, bijać w niego gwoździ, rzucać nim, upuszczać, ani uderzać akumulatorem o twarde objekty.** Takie działanie może spowodować pożar, przegrzanie lub wybuch.
9. **Nie wolno używać uszkodzonego akumulatora.**
10. **Stanowiąc wyposażenie akumulatory litowo-jonowe podlegają przepisom dotyczącym produktów niebezpiecznych.**

Na potrzeby transportu komercyjnego, np. świadczanego przez firmy trzecie czy spedycyjne, należy przestrzegać specjalnych wymagań w zakresie pakowania i oznaczania etykietami. Przygotowanie produktu do wysyłki wymaga skonsultowania się ze specjalistą ds. materiałów niebezpiecznych. Należy także przestrzegać przepisów krajowych, które mogą być bardziej szczegółowe.

Zakleić taśmą lub zaślepić otwarte styki akumulatora oraz zabezpieczyć go, aby nie mógł się przesuwać w opakowaniu.
11. **Jeśli zajdzie konieczność utylizacji akumulatora, należy wyjąć go z narzędzia i przekazać w bezpieczne miejsce.** Postępować zgodnie z przepisami lokalnymi dotyczącymi utylizacji akumulatorów.
12. **Używać akumulatorów tylko z produktami określonymi przez firmę Makita.** Zastosowanie akumulatorów w niezgodnych produktach może spowodować pożar, przegrzanie, wybuch lub wyciek elektrolitu.
13. **Jeśli narzędzie nie będzie używane przez dłuższy czas, należy wyjąć z niego akumulator.**
14. **Przed użyciem akumulatora i po jego użyciu akumulator może pozostawać nagrany, co może spowodować poparzenia lub poparzenia w niskiej temperaturze.** Z gorącym akumulatorem należy obchodzić się ostrożnie.
15. **Nie należy dotykać styku narzędzia bezpośrednio po jego użyciu, ponieważ może on być na tyle gorący, że spowoduje oparzenia.**
16. **Nie należy dopuszczać, aby wióry, kurz lub błoto gromadziły się na stykach, w otworach i rowkach akumulatora.** Może to spowodować obniżenie wydajności lub uszkodzenie narzędzia lub akumulatora.
17. **Jeśli narzędzie nie jest przeznaczone do użytku w pobliżu linii wysokiego napięcia, nie należy korzystać z akumulatora w ich sąsiedztwie.** Może to spowodować nieprawidłowości w działaniu lub uszkodzenie narzędzia lub akumulatora.

18. Przechowywać akumulator w miejscu niedostępnym dla dzieci.

ZACHOWAĆ NINIEJSZE INSTRUKCJE.

⚠ PRZESTROGA: Używać wyłącznie oryginalnych akumulatorów firmy Makita. Używanie nieoryginalnych akumulatorów firm innych niż Makita lub akumulatorów, które zostały zmodyfikowane, może spowodować wybuch akumulatora i pożar, obrażenia ciała oraz zniszczenie mienia. Stanowi to również naruszenie warunków gwarancji firmy Makita dotyczących narzędzia i ładowarki.

Wskazówki dotyczące zachowania maksymalnej trwałości akumulatora

1. Akumulator należy naładować zanim zostanie do końca rozładowany. Po zauważeniu spadku mocy narzędzia należy przerwać pracę i naładować akumulator.
2. Nie wolno ładować powtórnie w pełni naładowanego akumulatora. Przeladowanie akumulatora skraca jego trwałość.
3. Akumulator należy ładować w temperaturze pokojowej w przedziale 10–40°C (50–104°F). W przypadku gorącego akumulatora przed przystąpieniem do ładowania należy poczekać, aż ostygnie.
4. Jeśli akumulator nie jest używany, należy go wyjąć z narzędzia lub ładowarki.
5. Akumulatory niklowo-wodorkowe należy naładować po okresie długiego nieużytkowania (dłuższego niż sześć miesięcy).

MONTAŻ

⚠ OSTRZEŻENIE: Przed przystąpieniem do jakichkolwiek czynności związanych z obsługą kosiarki należy koniecznie upewnić się, że kluczyk oraz akumulator zostały wyjęte. Pozostawienie kluczyka i akumulatora może prowadzić do poważnych obrażeń ciała w wyniku nieoczekiwanego uruchomienia.

⚠ OSTRZEŻENIE: Nigdy nie włączać kosiarki, jeśli nie jest ona całkowicie zmontowana. Obsługa częściowo zmontowanej maszyny może prowadzić do poważnych obrażeń ciała w wyniku nieoczekiwanego uruchomienia.

Zakładanie pokrywy akumulatora

⚠ OSTRZEŻENIE: Nie wolno wkładać kluczyka ani akumulatora przed założeniem pokrywy akumulatora. Niezastosowanie się do powyższej zasady może prowadzić do poważnych obrażeń ciała.

Przed przystąpieniem do pracy założyć całkowicie pokrywę akumulatora. Pokrywa akumulatora chroni kosiarkę oraz akumulatora przed błotem, brudem i wodą.

1. Założyć pokrywę akumulatora, wyrównując występy na kosiarce z otworami w pokrywie akumulatora.
▶ **Rys.1:** 1. Występ 2. Otwór 3. Pokrywa akumulatora
2. Położyć ręce po środku pokrywy akumulatora i docisnąć ją.
▶ **Rys.2**
3. Przed pierwszym uruchomieniem należy sprawdzić, czy zaczep obrotowy pokrywy akumulatora jest dobrze zamocowany. Jeśli pokrywa akumulatora jest prawidłowo zamontowana, nie otworzy się bez pociągnięcia dźwigni blokującej pokrywy.
▶ **Rys.3:** 1. Zaczep obrotowy 2. Dźwignia blokująca pokrywę akumulatora

Zamontowanie uchwytu

UWAGA: Podczas zamontowywania uchwytów umieścić przewody w taki sposób, aby nie zostały one zakleszczone pomiędzy uchwytami. Jeśli przewód jest uszkodzony, przełącznik kosiarki może nie działać.

1. Wsuń oba końce dolnego uchwytu w rowki w kosiarce, a następnie dokręć do końca śruby zaciskowe.
▶ **Rys.4:** 1. Śruba zaciskowa 2. Dolny uchwyt
2. Wyrównaj otwory na śruby w górnym i dolnym uchwycie. Skręć je przy użyciu śrub zaciskowych i nakrętek.
▶ **Rys.5:** 1. Nakrętka zaciskowa 2. Śruba zaciskowa

WSKAZÓWKA: Górny uchwyt należy trzymać pewnie, aby nie wypadł z rąk.

3. Przymocuj uchwyty przewodu do uchwytu. Poprowadź przewód zasilający, jak pokazano na rysunku.
▶ **Rys.6:** 1. Uchwyt przewodu

Demontaż przystawki do mulczowania

Osprzęt dodatkowy

1. Otworzyć tylną pokrywę.
▶ **Rys.7:** 1. Tylna pokrywa
2. Przytrzymać przystawkę do mulczowania za uchwyt, a następnie wyjąć ją z korpusu kosiarki w sposób pokazany na ilustracji.
▶ **Rys.8:** 1. Przystawka do mulczowania 2. Uchwyt

Zakładanie kosza na trawę

1. Otworzyć tylną pokrywę.
▶ **Rys.9:** 1. Tylna pokrywa
2. Zaczepić kosz na trawę na kołku wystającym z korpusu kosiarki, tak jak przedstawiono to na rysunku.
▶ **Rys.10:** 1. Zaczep 2. Pręt 3. Kosz na trawę

Zakładanie przystawki do mulczowania

Osprzęt dodatkowy

1. Otworzyć tylną pokrywę i zdjąć kosz na trawę.
► **Rys.11:** 1. Tylna pokrywa 2. Kosz na trawę
2. Przytrzymać przystawkę do mulczowania za uchwyt, a następnie wprowadzić ją do korpusu kosiarki w sposób pokazany na ilustracji.
► **Rys.12:** 1. Przystawka do mulczowania 2. Uchwyt

OPIS DZIAŁANIA

Wkładanie i wyjmowanie akumulatora

⚠ PRZESTROGA: Przed włożeniem lub wyjęciem akumulatora należy zawsze wyłączyć maszynę.

⚠ PRZESTROGA: Przed użyciem upewnij się, że pokrywa akumulatora została zablokowana. W przeciwnym razie błoto, kurz lub woda mogą przyczynić się do uszkodzenia urządzenia lub akumulatora.

⚠ PRZESTROGA: Akumulator należy włożyć do końca, tak aby czerwony wskaźnik nie był widoczny. W przeciwnym razie może on przypadkowo wypaść z maszyny, powodując obrażenia u operatora lub znajdujących się w pobliżu osób.

⚠ PRZESTROGA: Nie wkładaj akumulatora na siłę. Jeśli akumulator nie daje się swobodnie wsunąć, oznacza to, że został włożony nieprawidłowo.

WSKAZÓWKA: Maszyna nie działa w przypadku włożenia tylko jednego akumulatora.

W celu włożenia akumulatora:

1. Przesuń dźwignię blokującą pokrywę akumulatora, a następnie otwórz pokrywę.
► **Rys.13:** 1. Pokrywa akumulatora 2. Dźwignia blokująca pokrywę akumulatora

2. Wyrównaj występ akumulatora ze szczeliną w kosiarce i wsuń akumulator, aż zatrzaśnie się na swoim miejscu.

► **Rys.14:** 1. Akumulator

3. Wsuń do oporu kluczyk w miejsce wskazane na rysunku.

► **Rys.15:** 1. Kluczyk

4. Zamknij pokrywę akumulatora i naciśnij ją do zatrzaśnięcia się dźwigni blokującej.

W celu wyjęcia akumulatora z kosiarki:

1. Przesuń dźwignię blokującą pokrywę akumulatora, a następnie otwórz pokrywę.
2. Wyciągnij akumulator z kosiarki, przesuwając przycisk znajdujący się w przedniej jego części.
3. Wyjmij kluczyk.
4. Zamknij pokrywę akumulatora.

Układ zabezpieczenia maszyny/akumulatora

Maszyna jest wyposażona w układ zabezpieczenia maszyny/akumulatora. Układ automatycznie odcina zasilanie silnika w celu wydłużenia trwałości narzędzia i akumulatora. Maszyna zostanie automatycznie zatrzymana podczas pracy w następujących sytuacjach związanych z maszyną lub akumulatorem:

Zabezpieczenie przed przeciążeniem

W przypadku użytkowania maszyny w sposób powodujący nadmierne wysokie pobór prądu maszyna zostanie automatycznie zatrzymana bez ostrzeżenia. W takiej sytuacji należy wyłączyć maszynę i zaprzestać wykonywania czynności powodującej jej przeciążenie. Następnie należy włączyć maszynę w celu jej ponownego uruchomienia.

Zabezpieczenie przed przegrzaniem

W przypadku przegrzania maszyna wyłączy się automatycznie. Przed ponownym włączeniem należy poczekać, aż maszyna ostygnie.

Zabezpieczenie przed nadmiernym rozładowaniem

Gdy stan naładowania akumulatora spadnie, maszyna zostanie automatycznie zatrzymana. Jeśli produkt nie działa pomimo włączenia przełączników, należy wyjąć akumulatory z maszyny i naładować je.

Wskazanie stanu naładowania akumulatora

► **Rys.16:** 1. Wskaźnik akumulatora

W przypadku obniżenia stanu naładowania akumulatora wskaźnik po stronie odpowiedniego akumulatora zacznie migać. Jeśli maszyna będzie nadal używana, nastąpi jej zatrzymanie, a wskaźnik akumulatora zaświeci się na około 10 sekund. W takiej sytuacji należy naładować akumulator.

Wskazanie stanu naładowania akumulatora

Tylko w przypadku akumulatorów ze wskaźnikiem

► **Rys.17:** 1. Lampki wskaźnika 2. Przycisk kontrolny

Nacisnąć przycisk kontrolny na akumulatorze w celu wyświetlenia stanu naładowania akumulatora. Lampki wskaźnika zaświecą się przez kilka sekund.

Lampki wskaźnika			Pozostała energia akumulatora
Świeci się	Wyłączony	Miga	
■ ■ ■ ■			75–100%
■ ■ ■ □			50–75%
■ ■ □ □			25–50%
■ □ □ □			0–25%
▣ □ □ □			Naładować akumulator.
■ ■ □ □			Akumulator może nie działać poprawnie.
□ □ ■ ■			

WSKAZÓWKA: Zależnie od warunków użytkowania i temperatury otoczenia, wskazywany poziom może nieznacznie się różnić od rzeczywistego stanu naładowania akumulatora.

Działanie przełącznika

⚠ OSTRZEŻENIE: Przed włożeniem akumulatora należy zawsze sprawdzić, czy dźwignia przełącznika działa prawidłowo i powraca do swojego położenia wyjściowego po jej zwolnieniu. Korzystanie z maszyny z nieprawidłowo działającym przełącznikiem może doprowadzić do utraty kontroli nad maszyną oraz poważnych obrażeń ciała.

WSKAZÓWKA: Bez naciśnięcia przycisku przełącznika kosiarka nie zostanie uruchomiona, nawet jeśli dźwignia przełącznika jest pociągnięta.

WSKAZÓWKA: Kosiarka może nie uruchomić się z powodu przecięcia spowodowanego koszeniem zbyt długiej lub zbyt gęstej trawy. W takim przypadku należy zwiększyć wysokość koszenia.

Kosiarka została wyposażona w przełącznik blokady oraz przełącznik na uchwycie. W przypadku zauważenia nieprawidłowego działania któregośkolwiek z tych przełączników, należy niezwłocznie wyłączyć urządzenie oraz skontaktować się z lokalnym autoryzowanym punktem serwisowym firmy Makita.

1. Włóż akumulatory. Włóż kluczyk do przełącznik blokady, a następnie zamknąć pokrywę akumulatora.

► **Rys.18:** 1. Akumulator 2. Kluczyk

2. Naciśnij i przytrzymaj przycisk przełącznika.

3. Chwyć za górny uchwyt i pociągnij dźwignię przełącznika.

► **Rys.19:** 1. Przycisk przełącznika 2. Dźwignia przełącznika

4. Zwolnij przycisk przełącznika po uruchomieniu się silnika. Kosiarka będzie pracować do momentu zwolnienia dźwigni przełącznika.

5. Aby wyłączyć silnik, zwolnij dźwignię przełącznika.

Regulacja wysokości koszenia

⚠ OSTRZEŻENIE: Nie wkładać rąk ani nóg pod kosiarkę podczas regulacji wysokości koszenia.

⚠ OSTRZEŻENIE: Przed rozpoczęciem pracy zawsze należy upewnić się, że dźwignia dobrze leży w rowku.

Wysokość koszenia można regulować w zakresie od 20 mm do 75 mm.

1. Wyjmij kluczyk.

2. Pociągnij dźwignię regulacji wysokości koszenia na zewnątrz kosiarki i ustaw na wymaganą wysokość koszenia.

► **Rys.20:** 1. Dźwignia regulacji wysokości koszenia

WSKAZÓWKA: Podane wysokości koszenia należy traktować jako ogólne wytyczne. Rzeczywista wysokość trawnika może się nieco różnić od ustawionej w zależności od stanu trawnika oraz terenu.

WSKAZÓWKA: Przetestować koszenie trawy w mniej widocznym miejscu w celu ustawienia wymaganej wysokości koszenia.

Wskaźnik poziomu trawy

► **Rys.21:** 1. Wskaźnik poziomu trawy

Wskaźnik poziomu trawy wskazuje ilość skoszonej trawy.

- Jeśli kosz na trawę nie jest całkowicie pełen, wskaźnik będzie pływał podczas koszenia.
- Jeśli kosz na trawę zostanie całkowicie zapelniony, wskaźnik przestanie pływać podczas koszenia. W takim przypadku należy niezwłocznie przerwać koszenie i opróżnić kosz. Po opróżnieniu kosza oczyścić go, tak aby siatka przepuszczała powietrze.

WSKAZÓWKA: Wskaźnik ten stanowi wyłącznie wskazanie zgrubne. W zależności od warunków wewnątrz kosza wskaźnik ten może nie działać prawidłowo.

Korzystanie z przystawki do mulczowania

Osprzęt dodatkowy

Przystawka do mulczowania umożliwia pozostawienie skoszonej trawy na ziemi, bez zbierania jej w koszu. Aby korzystać z maszyny z przystawką do mulczowania, należy wyjąć kosz na trawę.

UWAGA: Gdy maszyna jest używana z przystawką do mulczowania, całkowita długość trawy po skoszeniu musi wynosić co najmniej 30 mm, a długość odcinanego odcinka musi wynosić nie więcej niż 15 mm.

► **Rys.22:** (1) 30 lub więcej (2) 15 mm lub mniej

OBSŁUGA

Koszenie

⚠ OSTRZEŻENIE: Przed przystąpieniem do koszenia należy usunąć gałęzie oraz kamienie z terenu przeznaczonego do koszenia. Następnie należy usunąć chwasty.

⚠ OSTRZEŻENIE: Podczas koszenia należy zawsze nosić gogle ochronne lub okulary ochronne z bocznymi osłonami.

⚠ PRZESTROGA: Jeśli ścięta trawa lub obcy przedmiot utknie wewnątrz korpusu kosiarki, należy przed usunięciem takiej przeszkody koniecznie wyjąć kluczyk i akumulator oraz założyć rękawice.

UWAGA: Tego urządzenia należy używać jedynie do koszenia trawy. Za pomocą tego urządzenia nie wolno kosić chwastów.

► **Rys.23**

Podczas koszenia mocno trzymać uchwyt kosiarki obiema rękami.

Zalecana prędkość koszenia to około 1 metr na 4 sekundy.

► **Rys.24**

Zewnętrzne krawędzie przednich kół określają szerokość koszenia. Kosić trawnik pasami, jako odniesienia używając zewnętrznych krawędzi kół przednich. Aby zapewnić równe skoszenie trawnika, od 1/2 do 1/3 szerokości pasów powinno się nakładać.

► **Rys.25:** 1. Szerokość koszenia 2. Obszar nakładania 3. Krawędź zewnętrzna

Za każdym razem zmieniać kierunek koszenia, aby zapobiec powstaniu wzoru spowodowanego kształtowaniem trawy w tym samym kierunku.

► **Rys.26**

Okresowo sprawdzać zapelnienie kosza na trawę. Usuwać trawę zanim kosz całkowicie się zapelni. Przed każdym sprawdzeniem kosza na trawę należy wyłączyć kosiarkę, wyjąć kluczyk i akumulator.

UWAGA: Używanie kosiarki z pełnym koszem na trawę uniemożliwia płynny ruch obrotowy noża oraz dodatkowo obciąża silnik, co może przyczynić się do jego uszkodzenia.

Koszenie wysokiej trawy

Nie zaleca się koszenia wysokiej trawy za jednym razem. W takim przypadku należy kosić trawę etapami. Kosić co jeden lub dwa dni, aż do uzyskania równomiernego trawnika.

WSKAZÓWKA: Mocne skrócenie wysokiej trawy za jednym razem może spowodować jej uschnięcie. Skoszona trawa może także zablokować się w kosiarce.

Opróżnianie kosza na trawę

⚠ OSTRZEŻENIE: W celu zmniejszenia ryzyka wypadku regularnie sprawdzać kosz na trawę pod kątem ewentualnych uszkodzeń lub pogorszenia wytrzymałości materiału. Wymienić kosz na trawę w razie potrzeby.

1. Zwolnij dźwignię przełącznika.
2. Wyjmij kluczyk.
3. Otwórz tylną pokrywę i wyjmij kosz na trawę, chwytając za jego uchwyt.
► **Rys.27:** 1. Tylna pokrywa 2. Uchwyt
4. Opróżnij kosz na trawę.

KONSERWACJA

⚠ OSTRZEŻENIE: Przed schowaniem kosiarki lub przystąpieniem do jej przenoszenia, kontroli bądź konserwacji należy zawsze wyjąć kluczyk i akumulator.

⚠ OSTRZEŻENIE: Gdy kosiarka nie jest używana, należy zawsze wyjmować kluczyk. Kluczyk należy przechowywać w bezpiecznym, niedostępnym dla dzieci miejscu.

⚠ OSTRZEŻENIE: Przed przystąpieniem do przeglądu lub prac konserwacyjnych należy założyć rękawice.

⚠ OSTRZEŻENIE: Podczas kontroli lub konserwacji należy zawsze nosić gogle ochronne lub okulary ochronne z bocznymi osłonami.

UWAGA: Nie stosować benzyny, rozpuszczalników, alkoholu itp. środków. Mogą one powodować odbarwienia, odkształcenia lub pęknięcia.

W celu zachowania odpowiedniego poziomu BEZPIECZENSTWA i NIEZAWODNOŚCI produktu wszelkie naprawy i różnego rodzaju prace konserwacyjne lub regulacje powinny być przeprowadzane przez autoryzowany lub fabryczny punkt serwisowy narzędzi Makita, zawsze z użyciem oryginalnych części zamiennych Makita.

Konserwacja

1. Wyjmij kluczyk. Należy go przechowywać w bezpiecznym, niedostępnym dla dzieci miejscu.
2. Wyczyść kosiarkę, używając tylko wilgotnej szmatki. Nie spryskiwać ani nie polewać kosiarki wodą podczas jej czyszczenia.
3. Połóż kosiarkę na boku i usuń resztki trawy nagromadzone pod kosiarką.
4. Sprawdź, czy wszystkie nakrętki, śruby, pokręta, wkręty i elementy mocujące są dobrze dokręcone.
5. Sprawdź, czy części ruchome nie są uszkodzone, złamane ani zużyte. Uszkodzone lub brakujące części należy naprawić lub wymienić.

Przechowywanie

⚠ OSTRZEŻENIE: Podczas przenoszenia lub chowania kosiarki nie trzymać jej za złożone uchwyty, lecz za przednią rączkę kosiarki. Trzymanie za złożone uchwyty może prowadzić do poważnego obrażenia ciała lub uszkodzenia kosiarki.

Przed schowaniem kosiarki wyjąć akumulator i kluczyk. Przechowywać kosiarkę w chłodnym, suchym i zamkniętym miejscu. Nie przechowywać kosiarki ani ładowarki w miejscu, w którym temperatura może osiągnąć lub przekroczyć 40°C.

► **Rys.28:** 1. Przednia rączka 2. Tylna rączka

1. Poluzuj śruby zaciskowe i rozsuń dolny uchwyt w obie strony. Przechyl dolny uchwyt do przodu. W tym momencie należy trzymać mocno dolny uchwyt, tak aby nie upadł na drugą stronę kosiarki.

► **Rys.29:** 1. Śruba zaciskowa 2. Dolny uchwyt

2. Poluzuj nakrętki zaciskowe i obróć górny uchwyt do tyłu, rozsuwając go z obu stron.

► **Rys.30:** 1. Nakrętka zaciskowa 2. Górny uchwyt

3. Kosz na trawę należy przechowywać pomiędzy uchwytem a obudową kosiarki.

► **Rys.31:** 1. Kosz na trawę

WSKAZÓWKA: Podczas ustawiania kosiarki w pozycji pionowej nie chwytać za uchwyt, tylko za przednią rączkę kosiarki.

Zakładanie i zdejmowanie noża kosiarki

⚠️ OSTRZEŻENIE: Podczas zakładania lub zdejmowania noża należy zawsze wyjąć kluczcyk i akumulator. Niewyjęcie kluczcyka i akumulatora może prowadzić do poważnych obrażeń ciała.

⚠️ OSTRZEŻENIE: Nóż porusza się siłą rozpędu jeszcze przez kilka sekund po zwolnieniu przełącznika. Nie przystępować do jakichkolwiek czynności, dopóki nóż nie zatrzyma się całkowicie.

⚠️ OSTRZEŻENIE: Podczas wykonywania czynności wymagających kontaktu z nożem należy nosić rękawice ochronne.

Zdejmowanie noża kosiarki

Dotyczy modelu DLM382

1. Połóż kosiarkę na boku w taki sposób, aby dzwignia regulacji wysokości koszenia znajdowała się na górze.
2. Aby zablokować obrót noża, wsuń śrubokręt lub podobne narzędzie w otwór w korpusie kosiarki.
3. Odkręć śrubę w lewo za pomocą klucza.
▶ **Rys.32:** 1. Nóż kosiarki 2. Śrubokręt 3. Klucz
4. Wymontuj kolejno śrubę i nóż kosiarki.
▶ **Rys.33:** 1. Podpora noża 2. Nóż kosiarki 3. Śruba

Dotyczy modelu DLM432

1. Połóż kosiarkę na boku w taki sposób, aby dzwignia regulacji wysokości koszenia znajdowała się na górze.
2. Aby zablokować obrót noża, wsuń śrubokręt lub podobne narzędzie w otwór w korpusie kosiarki.
3. Odkręć śrubę w lewo za pomocą klucza.
▶ **Rys.34:** 1. Nóż kosiarki 2. Śrubokręt 3. Klucz
4. Wymyj śrubę, zewnętrzny kołnierz, nóż kosiarki i wewnętrzny kołnierz.
▶ **Rys.35:** 1. Wewnętrzny kołnierz 2. Nóż kosiarki 3. Zewnętrzny kołnierz 4. Śruba

Zamontowanie noża kosiarki

Aby założyć nóż kosiarki, należy wykonać czynności procedury zakładania w odwrotnej kolejności.

⚠️ OSTRZEŻENIE: Nóż kosiarki należy zakładać z zachowaniem ostrożności. Nóż ma górną i dolną stronę. Umieść nóż w taki sposób, aby strzałka wskazująca kierunek obrotów znajdowała się na zewnątrz.

⚠️ OSTRZEŻENIE: Dokręć mocno śrubę w prawo w celu zamocowania noża.

⚠️ OSTRZEŻENIE: Upewnij się, że nóż kosiarki oraz wszystkie elementy mocujące są zamontowane prawidłowo i dobrze dokręcone.

⚠️ OSTRZEŻENIE: Podczas wymiany noża należy zawsze postępować zgodnie z instrukcją opisaną w niniejszej instrukcji.

ROZWIĄZYWANIE PROBLEMÓW

Przed oddaniem urządzenia do naprawy należy najpierw przeprowadzić samodzielną kontrolę. W razie napotkania problemu, który nie został wyjaśniony w instrukcji, nie należy próbować demontować urządzenia we własnym zakresie. Należy natomiast zlecić naprawę w autoryzowanym punkcie serwisowym firmy Makita; zawsze z użyciem oryginalnych części zamiennych Makita.

Nieprawidłowe działanie	Prawdopodobna przyczyna (usterka)	Rozwiązanie
Kosiarka nie uruchamia się.	Dwa akumulatory nie są włożone.	Włożyć naładowane akumulatory.
	Problem z akumulatorem (za niskie napięcie)	Naładować akumulator. Jeśli naładowanie akumulatora nie przynosi skutku, należy go wymienić.
	Kluczcyk nie jest włożony.	Włożyć kluczcyk.
Silnik wyłącza się po krótkim czasie.	Niski poziom naładowania akumulatora.	Naładować akumulator. Jeśli naładowanie akumulatora nie przynosi skutku, należy go wymienić.
	Wysokość cięcia jest zbyt niska.	Zwiększyć wysokość cięcia.
Silnik nie może osiągnąć maksymalnych obrotów.	Akumulator jest włożony nieprawidłowo.	Włożyć akumulator zgodnie z opisem w niniejszej instrukcji.
	Spada moc akumulatora.	Naładować akumulator. Jeśli naładowanie akumulatora nie przynosi skutku, należy go wymienić.
	Układ napędowy nie działa prawidłowo.	Zlecić naprawę w lokalnym autoryzowanym punkcie serwisowym.
Nóż kosiarki nie obraca się: ⇒ natychmiast wyłączyć kosiarkę!	Obcy przedmiot, taki jak gałąź, zakleszczył się w pobliżu noża.	Usunąć przeszkodę.
	Układ napędowy nie działa prawidłowo.	Zlecić naprawę w lokalnym autoryzowanym punkcie serwisowym.
Nietypowe drgania: ⇒ natychmiast wyłączyć kosiarkę!	Nóż jest niewyważony; nadmiernie lub nierówno zużyty.	Wymienić nóż.

AKCESORIA OPCJONALNE

⚠ PRZESTROGA: Zaleca się stosowanie wymienionych akcesoriów i przystawek razem z narzędziem Makita opisanym w niniejszej instrukcji.

Stosowanie innych akcesoriów lub przystawek może być przyczyną obrażeń ciała. Akcesoria lub przystawki należy wykorzystywać tylko zgodnie z ich przeznaczeniem.

W razie potrzeby wszelkiej pomocy i szczegółowych informacji na temat niniejszych akcesoriów udziela Państwu lokalne punkty serwisowe Makita.

- Nóż kosiarki
- Przystawka do mulczowania
- Oryginalny akumulator i ładowarka firmy Makita

WSKAZÓWKA: Niektóre pozycje znajdujące się na liście mogą być dołączone do pakietu narzędziowego jako akcesoria standardowe. Mogą to być różne pozycje, w zależności od kraju.

RÉSZLETES LEÍRÁS

Típus:		DLM382	DLM432
Nyírási szélesség (kés átmérője)		380 mm	430 mm
Üresjárat fordulatszám		3 700 min ⁻¹	3 600 min ⁻¹
A csere fűnyírókés alkatrész azonosítója		191D41-2	191D43-8
Méretek (H x SZ x M)	működés közben	H: 1 380 mm - 1 410 mm SZ: 450 mm M: 985 mm - 1 005 mm	H: 1 435 mm - 1 490 mm SZ: 460 mm M: 1 005 mm - 1 045 mm
	tárolva (a fűgyűjtő kosár nélkül)	860 mm x 450 mm x 475 mm	865 mm x 460 mm x 475 mm
Névleges feszültség		36 V, egyenáram	
Nettó tömeg		15,0 - 16,5 kg	15,4 - 17,1 kg

- Folyamatos kutató- és fejlesztőprogramunk eredményeként az itt felsorolt tulajdonságok figyelmeztetés nélkül megváltozhatnak.
- A tulajdonságok országról országra különbözhetnek.
- A súly a felszerelt tartozékoktól függően változhat, az akkumulátort is beleértve. Az EPTA 01/2014 eljárás szerint meghatározott legnehezebb, illetve legkönnyebb kombináció a táblázatban látható.

Alkalmazható akkumulátorok és töltők

Akkumulátor	BL1815N / BL1820 / BL1820B / BL1830 / BL1830B / BL1840 / BL1840B / BL1850 / BL1850B / BL1860B
Töltő	DC18RC / DC18RD / DC18RE / DC18SD / DC18SE / DC18SF / DC18SH







- Lakóhelyétől függően előfordulhat, hogy a fent felsorolt akkumulátorok és töltők nem érhetők el.

▲ FIGYELMEZTETÉS: Csak a fentiekben felsorolt akkumulátorokat és töltőket használja. Bármilyen más akkumulátor vagy töltő használata sérüléseket és/vagy tüzet okozhat.

▲ FIGYELMEZTETÉS: Ne használjon ezzel a géppel vezetékes tápegységet, például akkumulátoradap-tert vagy hordozható tápegységet. Az ilyen tápegység kábele akadályozhatja a munkát, és személyi sérülést okozhat.

Szimbólumok

A következőkben a berendezésen esetleg használt jelképek láthatók. A szerszám használata előtt bizonyosodjon meg arról hogy helyesen értelmezi a jelentésüket.

	Legyen különösen elővigyázatos és figyelmes.
	Olvassa el a használati utasítást.
	Veszély: fokozottan ügyeljen a szerszám által kibottt tárgyra!
	A gép és a közelben tartózkodók közötti távolság legalább 15 méter legyen.
	Soha ne tegye kezét vagy lábát a fűnyíró késének közelébe. A kés a motor kikapcsolása után egy ideig még foroghat.
	Vegye ki a zároló kulcsot a fűnyíró vizsgálat, beállítás, tisztítása, javítása, magára hagyása és tárolása előtt.



Csak EU-tagállamok számára
Az elektromos berendezéseket és akkumulátorokat ne dobja a háztartási szeméttel! Az Európai Unió használt elektromos és elektronikus berendezésekre vonatkozó irányelvei, illetve az elemekről és akkumulátorokról, valamint a hulladékkelelemekről és akkumulátorokról szóló irányelv, továbbá azoknak a nemzeti jogba való átültetése szerint az elhasznált elektromos berendezéseket, elemeket és akkumulátorokat külön kell gyűjteni, és környezetbarát módon kell gondoskodni újrahasznosításukról.

Rendeltetés

A gépet fűnyírásra szánták.

Zaj

A tipikus A-súlyozású zajszint, a EN60335-2-77 szerint meghatározva:

DLM382 típus

Hangnyomásszint (L_{pA}): 81 dB(A)

Hangteljesítményszint (L_{WA}): 91 dB (A)

Bizonytalanság (K): 3 dB(A)

DLM432 típus

Hangnyomásszint (L_{pA}): 81 dB(A)

Hangteljesítményszint (L_{WA}): 92 dB (A)

Bizonytalanság (K): 3 dB(A)

MEGJEGYZÉS: A zajkibocsátás értéke a szabványos vizsgálati eljárásnak megfelelően lett mérve, és segítségével az elektromos kéziszerszámok összehasonlíthatók egymással.

MEGJEGYZÉS: A zajkibocsátás értékének segítségével előzetesen megbecsülhető a rezgésnek való kitettség mértéke.

▲ FIGYELMEZTETÉS: Viseljen fülvédőt!

▲ FIGYELMEZTETÉS: A szerszám zajkibocsátása egy adott alkalmazásnál eltérhet a megadott értéktől a használat módjától, különösen a feldolgozott munkadarab fajtájától függően.

▲ FIGYELMEZTETÉS: Határozza meg a kezelő védelmét szolgáló munkavédelmi lépéseket, melyek az adott munkafeltételek melletti vibrációs hatás becslőt mértékén alapulnak (figyelembe véve a munkaciklus elemeit, mint például a gép leállítási és üresjáratának mennyiségét az elindítások száma mellett).

Vibráció

A vibráció teljes értéke (háromtengelyű vektorösszeg) az EN60335-2-77 szerint meghatározva:

DLM382 típus

Rezgéskibocsátás (a_h): 2,5 m/s² vagy kisebb

Bizonytalanság (K): 2,0 m/s²

DLM432 típus

Rezgéskibocsátás (a_h): 2,5 m/s² vagy kisebb

Bizonytalanság (K): 1,5 m/s²

MEGJEGYZÉS: A rezgés teljes értéke a szabványos vizsgálati eljárásnak megfelelően lett mérve, és segítségével az elektromos kéziszerszámok összehasonlíthatók egymással.

MEGJEGYZÉS: A rezgés teljes értékének segítségével előzetesen megbecsülhető a rezgésnek való kitettség mértéke.

▲ FIGYELMEZTETÉS: A szerszám rezgés-kibocsátása egy adott alkalmazásnál eltérhet a megadott értéktől a használat módjától, különösen a feldolgozott munkadarab fajtájától függően.

▲ FIGYELMEZTETÉS: Határozza meg a kezelő védelmét szolgáló munkavédelmi lépéseket, melyek az adott munkafeltételek melletti vibrációs hatás becslőt mértékén alapulnak (figyelembe véve a munkaciklus elemeit, mint például a gép leállítási és üresjáratának mennyiségét az elindítások száma mellett).

EK Megfelelőségi nyilatkozat

Csak európai országokra vonatkozóan

Az EK-megfelelőségi nyilatkozat az útmutató „A” mellékletében található.

BIZTONSÁGI FIGYELMEZTETÉS

FONTOS BIZTONSÁGI SZABÁLYOK

▲ FIGYELMEZTETÉS: Olvassa el az összes biztonsági figyelmeztetést és utasítást. Ha nem tartja be a figyelmeztetéseket és utasításokat, akkor áramütés, tűz és/vagy súlyos sérülés következhet be.

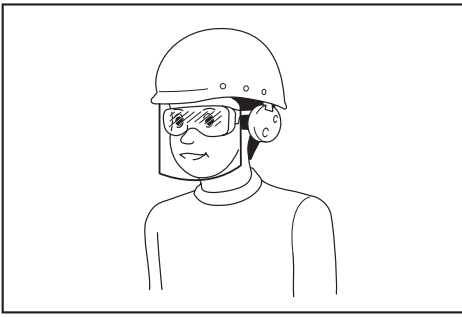
Őrizzen meg minden figyelmeztetést és utasítást a későbbi tájékozódás érdekében.

Oktatás

1. Figyelmesen olvassa el az útmutatót. Sajtáítsa el a fűnyíró helyes használatát és a kezelőszervek működtetését.
2. Soha ne engedje, hogy gyermekek vagy ezen utasításokat nem ismerő személyek használják a fűnyírót. Előfordulhat, hogy a helyi törvények rendelkeznek a kezelő életkorát illetően.
3. Ne működtesse a fűnyírót, ha emberek – különösen gyermekek – vagy háziállatok tartózkodnak a közelben.
4. Ne feledje, hogy a kezelő, illetve felhasználó felelős a balesetekért vagy a más személyekkel vagy tulajdonnal szembeni veszélyhelyzetekért.
5. Ügyelni kell arra, hogy gyermekek ne játszhassanak a fűnyíróval.
6. Fizikai állapot – Ne használja a fűnyírót, ha drog, alkohol vagy gyógyszer hatása alatt áll.

Felkészülés

1. A fűnyíró használata közben megfelelő lábbelít és hosszú nadrágot viseljen. Ne működtesse a fűnyírót mezítárb vagy nyitott szandálban. Kerülje a laza, vagy lógó részekkel, szalagokkal rendelkező ruhák vagy ékszer viselését. Ezeket a mozdó alkatrészek becsipíthetik.
2. Használat előtt mindig ellenőrizze szemrevételezéssel a fűnyírót, nem sérültek-e, hiányoznak-e vagy rosszul vannak elhelyezve a védőelemek.
3. A fűnyírás előtt a területen ne legyenek más emberek. Állítsa le a fűnyírót, ha valaki más is a területre lép.
4. Ne helyezze be a kulcsot a fűnyíróba, amíg az nem áll készen a használatra.
5. Elektromos szerszámok használatakor mindig viseljen védőszemüveget a szem védelme érdekében. A szemüvegnek meg kell felelnie az ANSI Z87.1 szabványnak az Egyesült Államokban, az EN 166 szabványnak Európában, illetve az AS/NZS 1336 szabványnak Ausztráliában/Új-Zélandon. Ausztráliában/Új-Zélandon törvény írja elő az arcvédő használatát is, amely biztosítja az arc védelmét.



A munkaadó felelőssége, hogy a megfelelő biztonsági védőeszköz viselésére kötelezze a szerszám kezelőit és a közvetlen munkaterületen lévő más személyeket.

6. Gondosan ellenőrizze a késeket vagy a fejescsavarokat használat előtt, repedések vagy sérülések tekintetében. Azonnal cserélje ki a megrepedt vagy sérült késeket vagy fejescsavarokat.
7. Távolítsa el az idegen anyagokat, például köveket, drótokat, palackokat, csontokat és nagyobb botokat a területről, hogy elejét vegye a személyi sérülésnek vagy a fűnyíró károsodásának.
8. A fűnyíró kése által megütött tárgyak súlyos személyi sérülést okozhatnak. A gyeplet mindig körültekintően meg kell vizsgálni, és minden fűnyírás előtt el kell távolítani minden objektumot.
9. Figyeljen a lyukakra, kerékvágásokra, kiemelkedésekre, sziklákra és más rejtett tárgyakra. Az egyenetlen terep elcsúszással és eleséssel járó balesetet okozhat. A magas fű akadályokat rejt.

Működtetés

1. Ne hajtjon előre túlságosan. Mindig egyensúlya megtartásával dolgozzon. Lejtőn mindig bizonyosodjon meg lába kellő megtámasztásáról. Sétálva haladjon, soha ne fusson.
2. Állítsa le a fűnyírót, vegye ki a kulcsot, és győződjön meg arról, hogy minden mozgó alkatrész teljesen leállt:
 - minden alkalommal, amikor magára hagyja a fűnyírót,
 - akadályok vagy eltömődések elhárítása előtt,
 - ellenőrzés, tisztítás vagy a fűnyíron való munkavégzés előtt,
 - idegen tárgyba ütközés után. Vizsgálja át a fűnyírót, hogy nem sérült-e meg, és végezze el a szükséges javításokat az ismételt elindítás és használat előtt,
 - ha a fűnyíró rendellenesen rázkódni kezd.
3. Soha ne használja a fűnyírót hibás védőelemekkel vagy biztonsági eszközök nélkül, például a terelőelemek és/vagy a fűgyűjtő kosár felszerelése nélkül.
4. Kerülje a fűnyíró használatát rossz időjárási körülmények esetén, különösen, ha villámlás várható.
5. A fűnyíró használata közben viseljen védőszemüveget és zárt lábbelit.
6. A fűnyírót csak napközben vagy kellően erős mesterséges megvilágítás mellett használja.
7. A fűnyírót óvatosan, az utasításoknak megfelelően indítsa be, és lábát tartsa kellő távolságra a kés(ek)től.
8. Ügyeljen a fűnyírókésekre, mivel láb- és kézserüléseket okozhatnak.
9. Mindig ellenőrizze, hogy a szellőzőnyílásokat nem tömítette-e el törmelék.
10. A lejtőkön oldalirányba haladjon át, ne lefelé vagy felfelé. Különösen óvatosan járjon el a lejtőn való irányváltáskor. Ne végezzen fűnyírást túl meredek lejtőkön.
11. Különösen óvatosan járjon el tolatáskor, illetve amikor a fűnyírót maga felé húzza.
12. Várja meg, míg a kések leállnak, ha a fűnyírót egy nem füves területen való áthaladás érdekében meg kell dönteni, vagy amikor a fűnyírót a levágandó területhez/területről szállítja.
13. Ne döntse meg a fűnyírót a motor bekapcsolásakor, kivéve, ha a fűnyírót a beindításhoz meg kell dönteni. Ebben az esetben se döntse meg jobban a szükségesnél, és a fűnyírót a kezelővel ellentétes oldalal megemelve döntse meg. Mielőtt a fűnyírót újra a földre teszi mindig ügyeljen arra, hogy mindkét keze a működéteségi helyzetben legyen.
14. Ne tegye kezét és lábát forgó alkatrészek alá vagy azokhoz közel. A kidobónyílást mindig tartsa szabadon.
15. Ne szállítsa a fűnyírót bekapcsolt állapotban.
16. Kerülje a fűnyíró használatát nedves fűben.
17. Soha ne használja a fűnyírót esőben.
18. Mindig tartsa szilárdan a fogantyút.
19. Ne fogja meg a csupasz késeket vagy vágóéleket, amikor felemeli vagy megtartja a fűnyírót.
20. Tartsa kezét és lábát távol a forgó késektől. Vigyázat – A kések a fűnyíró kikapcsolása után még szabadon forognak.
21. Ha bármilyen rendelleneséget észlel, azonnal állítsa le a gépet. Kapcsolja ki a fűnyírót, és vegye ki a kulcsot. Ezt követően vizsgálja meg a fűnyírót.
22. Ha a fűnyíró rendelkezik vágási magasságot beállító funkcióval, soha ne próbálja meg a fűnyíró működése közben állítani a vágási magasságot.
23. Engedje el a kapcsolókart, és várjon, amíg a kések forgása leáll, mielőtt felhajtjon, ösvényen, úton és kavicsos területen menne át. Vegye ki a kulcsot akkor is, ha eltávolodik a fűnyírótól, hogy felvegyen valamit, vagy elvegyen valamit az útból, vagy bármely más okból, amely elvonhatja a figyelmét a végzett munkától.
24. Ha a fűnyíró egy idegen tárgyba ütközik, kövesse az alábbi lépéseket:
 - Állítsa le a fűnyírót, engedje el a kapcsolókart és várjon, amíg a kés teljesen leáll.
 - Vegye ki a kulcsot és az akkumulátort.
 - Vizsgálja át alaposan a fűnyírót, hogy megkeresse az esetleges károsodásokat.
 - Cserélje ki a kést, ha az bármilyen módon károsodott. A fűnyíró további használata előtt javítsa ki minden károsodást.
25. Ne indítsa el a fűnyírót, amikor a kidobónyílás előtt áll.

26. Ha a fűnyíró szokatlan módon kezd vibrálni (azonnali ellenőrzés)
 - ellenőrizze, hogy nem károsodott-e,
 - cserélje ki vagy javítsa meg a sérült alkatrészeket,
 - ellenőrizze és húzza meg a laza alkatrészeket.
27. Soha ne irányítsa senki felé a kilökött anyagot. Ne irányítsa a kilökött anyagot egy fal vagy akadály felé. Az anyag visszapattanhat a kezelő irányába. Állítsa le a kést, amikor kavicsos területen megy keresztül.
28. Ne húzza visszafelé a fűnyírót, ha nem feltétlenül szükséges. Ha arra kényszerül, hogy hátrahúzza a fűnyírót egy kerítéstől vagy más hasonló akadálytól, nézzen lefelés és hátra, mielőtt és miközben hátrafelé mozog.
29. Kapcsolja ki a motort, és várja meg, amíg a kés teljesen leáll, mielőtt eltávolítja a felfogót. Vegye figyelembe, hogy a kések a kikapcsolás után még mozognak.

Karbantartás és tárolás

1. A biztonság érdekében cserélje ki a kopott vagy sérült alkatrészeket. Csak eredeti pótalkatrészeket és tartozékokat használjon.
2. Rendszeresen vizsgálja és tartsa karban a fűnyírót.
3. Amikor nincs használatban, tárolja a fűnyírót olyan helyen, ahol gyerekek nem érhetik el.
4. A berendezés biztonságos műszaki állapotának biztosítása érdekében a csavarok és anyák mindig legyenek szorosa meghúzva.
5. Gyakran ellenőrizze a fűgyűjtő kosár esetleges kopását vagy eldeformálódását. A tároláshoz mindig győződjön meg arról, hogy a fűgyűjtő kosár üres. Cserélje ki az elhasználadott fűgyűjtő kosarat egy új gyári cseredarabbal.
6. Csak a kézikönyvben megadott eredeti gyártói késeket használja.
7. Legyen óvatos a fűnyíró beállítása során, nehogy beszoruljon az ujjá a mozgó kések és a fűnyíró rögzített alkatrészei közé.
8. Ne mossa tomlóval, kerülje el, hogy víz kerüljön a motorba és a villamos csatlakozásokba.
9. Rendszeresen ellenőrizze a késrögzítő csavar megfelelő feszességét.
10. Tárolás előtt mindig hagyja lehűlni a fűnyírót.
11. A kések szervizelése során ne feledje, hogy a kések elmozdíthatók még kikapcsolt áramforrás esetén is.
12. Soha ne távolítsa el a biztonsági berendezéseket, és ne nyúljon hozzájuk. Rendszeresen ellenőrizze a megfelelő működésüket. Soha ne tegyen semmit, ami megzavarhatja a biztonsági berendezés tervezett működését, vagy csökkentheti a biztonsági berendezés által nyújtott védelmet.

Akkumulátoros szerszám használata és karbantartása

1. Csak a gyártó által meghatározott töltővel töltsen fel az akkumulátort. Egy bizonyos akkumulátortípushoz használható töltő más akkumulátortípussal való használata tűzveszélyt idézhet elő.
2. A szerszámgepeket kizárólag a meghatározott akkumulátorokkal használja. Egyéb akkumulátorok használata sérülés vagy tűz kockázatával járhat.

3. Amikor az akkumulátort nem használja, tartsa távol a többi fémtárgytól, például iratkapcsoktól, érméktől, kulcsoktól, szögektől, csavaroktól vagy egyéb olyan apró fémtárgyaktól, amelyek összekötötést hozhatnak létre a pólusok között. Az akkumulátor pólusainak rövidre zárasa égési sérüléseket vagy tüzet okozhat.
4. Helytelen működtetés esetén az akkumulátorból folyadék kerülhet ki; kerülje az ezzel való érintkezést. Ha véletlenül mégis érintkezésbe kerülne a folyadékkal, mossa le azt vízzel. Ha a folyadék szemébe jut, azonnal forduljon orvoshoz segítségért. Az akkumulátorból származó folyadéki irritációt és égéseket okozhat.
5. Ne használjon sérült vagy módosított akkumulátort vagy szerszámot. A sérült vagy módosított akkumulátorok váratlan módon viselkedhetnek, melynek következtében tüzet, robbanást vagy sérülést okozhatnak.
6. Ne tegye ki az akkumulátort és a szerszámot nyílt lángnak vagy túlzott hőhatásnak. A tűz hatása és a 130 °C feletti hőmérséklet robbanást okozhat.
7. A töltésre vonatkozó minden utasítást tartson be, ne töltse az akkumulátort vagy a szerszámot a megadott hőmérséklettartományon kívül. A nem megfelelő módú és nem megfelelő hőmérsékleten történő töltés az akkumulátor károsodásával járhat, valamint tüzet okozhat.

Az elektromos áramra és az akkumulátorra vonatkozó biztonsági tudnivalók

1. Az akkumulátor(oka)t ne dobja tűzbe. Az akkumulátor felrobbanhat. Nézzon utána, hogy a helyi törvények tartalmazzanak-e az ártalmatlanításra vonatkozó különleges rendelkezéseket.
2. Ne nyissa fel és ne vágja szét az akkumulátor(oka)t. A kifolyt elektrolit korrozív hatású, továbbá a szem és a bőr sérülését okozhatja. Lenyelése mérgezést okozhat.
3. Ne töltse az akkumulátort esőben vagy nedves helyen.
4. Ne töltse az akkumulátort kültéren.
5. Ne kezelje a töltőt, beleértve a töltőcsatlakozót, és a töltő kivezetéseit nedves kézzel.

Szerviz

1. Elektromos szerszámának szervizelését bízza eredeti pótalkatrészeket használó képzett javításműhelyzetre. Ezzel biztosítja hogy az elektromos szerszám biztonsága fennmarad.
2. Soha ne próbálja javítani a sérült akkumulátorokat. Az akkumulátorok javítását csak a gyártó és a hivatalos márkaszerviz végezheti.

ŐRIZZE MEG EZEKET AZ UTASÍTÁSOKAT.

▲ FIGYELMEZTETÉS: NE HAGYJA, hogy (a termék többszöri használatából eredő) kényelem és megszokás váltsa fel a termék biztonsági előírásainak szigorú betartását.

A HELYTELEN HASZNÁLAT és a használati útmutatóban szereplő biztonsági előírások megszegése súlyos személyi sérüléseket okozhat.

Fontos biztonsági utasítások az akkumulátorra vonatkozóan

1. Az akkumulátor használata előtt tanulmányozza át az akkumulátortöltőt (1), az akkumulátoron (2) és az akkumulátorral működtetett terméken (3) olvasható összes utasítást és figyelmeztető jelzést.
2. Ne szerelje szét, és ne módosítsa az akkumulátort. Tűzet, túlzott hőt vagy robbanást okozhat.
3. Ha a működési idő nagyon lerövidült, azonnal hagyja abba a használatot. Ez a túlmelegedés, esetleges égések és akár robbanás veszélyével is járhat.
4. Ha elektrolit kerül a szemébe, mossa ki azt tiszta vízzel és azonnal kérjen orvosi segítséget. Ez a látásának elvesztését okozhatja.
5. Ne zárja rövidre az akkumulátort:
 - (1) Ne érjen az érintkezőkhöz elektromosan vezető anyagokkal.
 - (2) Ne tárolja az akkumulátort más fémtárgyakkal, mint pl. szegekkel, érmékkel, stb. egy helyen.
 - (3) Ne tegye ki az akkumulátort víznek vagy esőnek.

Az akkumulátor rövidzárlata nagy áramerősséget, túlmelegedést, égéseket, sőt akár meghibásodást is okozhat.

6. Ne tárolja és használja a szerszámot vagy az akkumulátort olyan helyen, ahol a hőmérséklet elérheti vagy meghaladhatja az 50 °C-t (122 °F).
7. Ne égesse el az akkumulátort még akkor sem, ha az komolyan megsérült vagy teljesen felhasználódott. Az akkumulátor a tűzben felrobbanhat.
8. Ne szúrja meg, ne vágja meg, ne törje össze, ne dobja el és ne ejtse le az akkumulátort, illetve ne üsse hozzá kemény tárgyhöz. Az ilyen magatartás tűzet, túlzott hőt vagy robbanást okozhat.
9. Ne használjon sérült akkumulátort.
10. A készülékben található lítium-ion akkumulátorok a veszélyes árukkal kapcsolatos előírások vonatkoznak.

A termék pl. harmadik felek, fuvarozó cégek stb. által történő szállítás esetén minden esetben tartsa szem előtt a csomagoláson és a címkén található speciális követelményeket.

A termék szállításra történő felkészítése esetén vegye fel a kapcsolatot egy veszélyes anyagokkal foglalkozó szakemberrel. Kérjük, hogy az esetlegesen szigorúbb nemzeti előírásokat is vegye figyelembe. Ragassza le a kiálló érintkezőket, illetve oly módon csomagolja be az akkumulátort, hogy az ne tudjon elmozdulni a csomagolásban.
11. Az akkumulátor ártalmatlanításakor vegye ki azt a szerszámból, és ártalmatlanítsa egy biztonságos helyen. Az akkumulátor ártalmatlanításakor tartsa be a helyi előírásokat.
12. Az akkumulátorokat csak a Makita által megjelölt termékekhez használja. Ha az akkumulátorokat azokkal nem kompatibilis termékekbe helyezi, az tűzhöz, túlmelegedéshez, robbanáshoz vagy elektrolitszivárgáshoz vezethet.

13. Ha a szerszám hosszabb ideig nincs használatban, az akkumulátort ki kell venni a szerszámból.
14. Használat közben és után az akkumulátor felforrósodhat, ami égési sérülést vagy alacsony hőmérsékletű égési sérülést okozhat. Figyeljen oda a forró akkumulátor kezelésére.
15. Ne érintse meg közvetlenül a szerszám érintkezőjét, mert elég forró lehet ahhoz, hogy égési sérüléseket okozzon.
16. Ne engedje, hogy forgács, por vagy sár tapadjon az akkumulátor érintkezőire, lyukaiba és hornyaiiba. Az a szerszám vagy az akkumulátor gyenge teljesítményét vagy meghibásodását okozhatja.
17. Hacsak a szerszám nem támogatja a nagyfeszültségű elektromos vezetékek közelében történő használatot, ne használja az akkumulátor nagyfeszültségű elektromos vezetékek közelében. Az a szerszám vagy az akkumulátor hibás működését vagy meghibásodását okozhatja.
18. Tartsa távol a gyermekektől az akkumulátort.

ŐRIZZE MEG EZEKET AZ UTASÍTÁSOKAT.

⚠VIGYÁZAT: Csak eredeti Makita akkumulátorokat használjon. A nem eredeti Makita akkumulátorok vagy módosított akkumulátorok használata esetén az akkumulátor felrobbanhat, ami tűzet, személyi sérülést és anyagi kárt okozhat. A Makita szerszáma és töltőre vonatkozó Makita garanciát is érvénytelenítheti.

Tippek az akkumulátor maximális élettartamának eléréséhez

1. Töltse fel az akkumulátort, mielőtt teljesen lemerülne. Állítsa le a gépet, és töltsen fel az akkumulátort, ha a gép erejének csökkenését észleli.
2. Soha ne töltsen újra a teljesen feltöltött akkumulátort. A túltöltés csökkenti az akkumulátor élettartamát.
3. Töltsen az akkumulátort szobahőmérsékleten, 10 °C - 40 °C (50 °F - 104 °F) között. Töltés előtt hagyja lehűlni a fölforrósodott akkumulátort.
4. Ha nem használja az akkumulátort, vegye ki a szerszámból vagy a töltőből.
5. Töltsen fel az akkumulátort, ha hosszabb ideje (több mint hat hónapja) nem használta azt.

ÖSSZESZERELÉS

⚠FIGYELMEZTETÉS: Mindig ügyeljen arra, hogy a kulcsot és az akkumulátort távolítsa el, mielőtt bármilyen munkát végez a fűnyírón. Ha nem távolítja el a kulcsot és az akkumulátort, a véletlenszerű beindulás súlyos sérüléseket okozhat.

⚠FIGYELMEZTETÉS: A fűnyírót kizárólag akkor indítsa be, ha az teljesen össze van szerelve. A részlegesen összeszerelt gép használata súlyos sérüléseket okozhat, ha véletlenül beindul.

Az akkumulátorfedél felszerelése

⚠ FIGYELMEZTETÉS: Ne helyezze be a kulcsot és az akkumulátort az akkumulátorfedél felszerelése előtt. Ellenkező esetben súlyos sérüléseket okozhat.

A működtetés előtt teljesen szerelje fel az akkumulátorfedelelet. Az akkumulátorfedél megvédi a fűnyírót és az akkumulátort a sártól, szennyeződésektől és víztől.

1. A fűnyíron lévő kiemelkedéseket az akkumulátorfedélen lévő nyílásokkal összeigazítva helyezze fel az akkumulátorfedelelet.

▶ **Ábra1:** 1. Kiemelkedés 2. Furat 3. Akkumulátorfedél

2. Tegye a kezeit az akkumulátorfedél közepére, és nyomja le azt.

▶ **Ábra2**

3. Az első bekapcsolás előtt ellenőrizze, hogy az akkumulátorfedél csuklója megfelelően illeszkedik-e. Ha az akkumulátorfedelelet megfelelően szerelte fel, akkor az nem nyílik ki addig, amíg az akkumulátorfedél rögzítőkarját meg nem húzzák.

▶ **Ábra3:** 1. Csukló 2. Akkumulátorfedél rögzítőkarja

A fogantyú felszerelése

MEGJEGYZÉS: A fogantyúk felszerelésekor helyezze úgy a vezetékeket, hogy azok ne csipődjenek semmibe a fogantyúk között. Előfordulhat, hogy a fűnyíró nem működik, ha a vezeték sérült.

1. Csúsztassa az alsó fogantyú mindkét végét a fűnyíró bevágásába, majd húzza meg teljesen a szorítócsavarokat.

▶ **Ábra4:** 1. Szorítócsavar 2. Alsó fogantyú

2. Igazítsa össze a felső fogantyú és az alsó fogantyú csavarurait. Rögzítse őket a szorítócsavarokkal és -anyákkal.

▶ **Ábra5:** 1. Szorítóanya 2. Szorítócsavar

MEGJEGYZÉS: Tartsa erősen a felső fogantyút, ne csússzon ki a kezéből.

3. Szerelje fel a tartókat a fogantyúra. Helyezze el a tápvezetéseket az ábrán látható módon.

▶ **Ábra6:** 1. Tartó

A mulcsozó betét eltávolítása

Opcionális kiegészítők

1. Nyissa ki a hátsó fedelet.

▶ **Ábra7:** 1. Hátsó fedél

2. Fogja meg a mulcsozó betétet a fogantyúnál fogva, majd húzza ki a fűnyíró házából az ábrán látható módon.

▶ **Ábra8:** 1. Mulcsozó betét 2. Fogantyú

A fűgyűjtő kosár felszerelése

1. Nyissa ki a hátsó fedelet.

▶ **Ábra9:** 1. Hátsó fedél

2. Akassza a fűgyűjtő kosarat a fűnyíró házában lévő rúdra az ábrán látható módon.

▶ **Ábra10:** 1. Akasztó 2. Rúd 3. Fűgyűjtő kosár

A mulcsozó betét csatlakoztatása

Opcionális kiegészítők

1. Nyissa ki a hátsó fedelet, majd távolítsa el a fűgyűjtő kosarat.

▶ **Ábra11:** 1. Hátsó fedél 2. Fűgyűjtő kosár

2. Fogja meg a mulcsozó betétet a fogantyúnál fogva, majd csatlakoztassa a fűnyíró házához az ábrán látható módon.

▶ **Ábra12:** 1. Mulcsozó betét 2. Fogantyú

A MŰKÖDÉS LEÍRÁSA

Az akkumulátor behelyezése és eltávolítása

⚠ VIGYÁZAT: Az akkumulátor behelyezése vagy eltávolítása előtt mindig kapcsolja ki a gépet.

⚠ VIGYÁZAT: Bizonyosodjon meg arról, hogy használat előtt lezárta az akkumulátor fedelelet. Ellenkező esetben a bekerülő sár, por vagy víz károsodást okozhat a termékben vagy az akkumulátorban.

⚠ VIGYÁZAT: Mindig tolja be teljesen az akkumulátort, amíg a piros jel el nem tűnik. Ha nem így jár el, az akkumulátor kieshet a gépből, és Önnek vagy a környezetében tartózkodóknak sérülést okozhat.

⚠ VIGYÁZAT: Ne erőltesse az akkumulátort behelyezésre. Ha az akkumulátor nem csúszik be könnyedén, akkor nem megfelelően lett behelyezve.

MEGJEGYZÉS: A gép nem működik egyetlen akkumulátorral.

Az akkumulátor behelyezése:

1. Csúsztassa el az akkumulátor fedelét rögzítő kart és nyissa ki az akkumulátorfedelelet.

▶ **Ábra13:** 1. Akkumulátorfedél 2. Akkumulátorfedél rögzítőkarja

2. Igazítsa össze az akkumulátor nyelvét a fűnyíró nyílásával, majd csúsztassa be az akkumulátort, amíg az egy kis kattánással a helyén nem rögzül.

▶ **Ábra14:** 1. Akkumulátor

3. Helyezze be a kulcsot az ábrán látható helyre, amennyire csak lehet.

▶ **Ábra15:** 1. Kulcs

4. Zárja le az akkumulátorfedelelet és nyomja meg, amíg ez a zárókarral be nem reteszeli.

Az akkumulátor kivétele a fűnyíróból:

1. Csúsztassa el az akkumulátor fedelét rögzítő kart és nyissa ki az akkumulátorfedelelet.

2. Az akkumulátor elején lévő gombot csúsztatása közben húzza ki az akkumulátort a fűnyíróból.

3. Húzza ki a kulcsot.

4. Zárja be az akkumulátor fedelét.

Gép-/akkumulátorvédő rendszer

A gép gép-/akkumulátorvédő rendszerrel van felszerelve. A rendszer automatikusan kikapcsolja a motor áramellátását, így megnöveli a szerszám és az akkumulátor élettartamát. A gép használat közben automatikusan leáll, ha a gép vagy az akkumulátor a következő állapotok valamelyikébe kerül.

Túlterhelésvédelem

Ha a gépet úgy használják, hogy az rendellenesen nagy áramot vesz fel, akkor a gép mindenfajta jelzés nélkül leáll. Ilyenkor kapcsolja ki a gépet, és fejezze be azt a műveletet, amelyik a gép túlterhelését okozta. Az újrazérendéshez kapcsolja be a gépet.

Túlmelegedés elleni védelem

Ha a gép túlmelegedett, automatikusan leáll. Hagyja kihűlni a gépet, mielőtt ismét bekapcsolná.

Mélykisütés elleni védelem

Amikor az akkumulátor kapacitása lecsökken, a gép automatikusan leáll. Ha a gép a gombokkal sem működtethető, vegye ki az akkumulátorokat, és töltsse fel.

Az akkumulátor töltöttségének jelzése

► **Ábra16:** 1. Akkumulátortöltöttség-jelző

Ha a maradék akkumulátor kapacitás lecsökken, az akkumulátor-jelzőfény villog a megfelelő oldalon. További használatra a gép leáll, és az akkumulátor-jelzőfény körülbelül 10 másodpercre kigyullad. Ebben a helyzetben töltsse fel az akkumulátort.

Az akkumulátor töltöttségének jelzése

Csak állapotjelzős akkumulátorok esetén

► **Ábra17:** 1. Jelzőlámpák 2. Check (ellenőrzés) gomb

Nyomja meg az ellenőrzőgombot, hogy az akkumulátortöltöttség-jelző megmutassa a hátralévő akkumulátor-kapacitást. Ekkor a töltöttség-szint-jelző lámpák néhány másodpercre kigyulladnak.

Jelzőlámpák			Töltöttségi szint
Világító lámpa	Ki	Villogó lámpa	
■	□	◐	75%-tól 100%-ig
■	■	□	50%-tól 75%-ig
■	■	□	25%-tól 50%-ig
■	□	□	0%-tól 25%-ig
◐	□	□	Töltsse fel az akkumulátort.
■	■	□	Lehetséges, hogy az akkumulátor meghibásodott.
□	□	■	

MEGJEGYZÉS: Az adott munkafeltételektől és a környezeti hőmérsékletétől függően a jelzett töltöttségi szint némileg eltérhet a tényleges töltöttségi szinttől.

A kapcsoló használata

FIGYELMEZTETÉS: Mielőtt az akkumulátort behelyezi, mindig győződjön meg arról, hogy a kapcsolókar megfelelően működik, és felengedés-kor visszaáll az eredeti helyzetébe. A hibás kapcsolóval működő gép fölött a kezelő elveszítheti az uralmat, és a gép súlyos személyi sérülést okozhat.

MEGJEGYZÉS: A fűnyíró nem indul el a bekapcsoló gomb lenyomása nélkül, még akkor sem, ha a kapcsolókar meghúzza.

MEGJEGYZÉS: Ha hosszú vagy sűrű fűvet próbál nyírni a fűnyíróval, előfordulhat, hogy az a túlterhelés miatt nem indul el. Ebben az esetben növelje a fűnyírási magasságot.

A fűnyíró reteszkapcsolóval és fogantyús kapcsolóval rendelkezik. Amennyiben ezen kapcsolók működésében bármi szokatlant tapasztal, azonnal fejezze be a munkát és ellenőriztesse a legközelebbi hivatalos Makita szervizközpontban.

1. Helyezze a gépbe az akkumulátorokat. Helyezze a zár kulcsát a reteszelőkapcsolóba, majd csukja le az akkumulátor fedelét.

► **Ábra18:** 1. Akkumulátor 2. Kulcs

2. Nyomja le és tartsa lenyomva a kapcsológombot.

3. Fogja meg a felső fogantyút, és húzza meg a kapcsolókart.

► **Ábra19:** 1. Kapcsológomb 2. Kapcsolókar

4. Amint a motor elindul, engedje el a kapcsológombot. A fűnyíró addig működik, amíg el nem engedí a kapcsolókart.

5. A motor leállításához engedje el a kapcsolókart.

A fűnyírási magasság beállítása

FIGYELMEZTETÉS: Soha ne tegye a fűnyíró alá a kezét vagy a lábát a fűnyírási magasság beállításakor.

FIGYELMEZTETÉS: Használat előtt mindig ellenőrizze, hogy a kar megfelelően illeszkedik-e a bevágásba.

A fűnyírási magasság a 20–75 mm tartományban állítható.

1. Vegye ki a kulcsot.

2. Húzza a magasságállító kart a fűnyírótól elfelé, és állítsa a kívánt fűnyírási magasságra.

► **Ábra20:** 1. Fűnyírási magasságot beállító kar

MEGJEGYZÉS: A fűnyírási magasság számai csak útmutatóként szolgálnak. A fű vagy a talaj állapotától függően előfordulhat, hogy a gyep valódi magassága kis mértékben eltér a beállított magasságtól.

MEGJEGYZÉS: Végezzon próbanyírást egy kevésbé feltűnő helyen, és állítsa be a kívánt magasságot.

Fűgyújtó szintjelzője

► Ábra21: 1. Fűgyújtó szintjelzője

A fűgyújtó szintjelzője a lenyírt fű mennyiségét jelzi.

- Ha a fűgyújtó kosár nincs tele, a jelző a fűnyírás közben lebeg.
- Ha a fűgyújtó kosár megtelik, a jelző a fűnyírás közben nem lebeg. Ilyen esetben azonnal hagyja abba a fűnyírást, és ürítse ki a kosarat. A kiürített kosarat tisztítsa meg, hogy a rácson átjárjon a levegő.

MEGJEGYZÉS: Ez a jelzés csak útmutatásul szolgál. A kosáron belüli körülményektől függően előfordulhat, hogy a visszajelző nem működik megfelelően.

A mulcsozó betét használata

Opcionális kiegészítők

A mulcsozó betét lehetővé teszi, hogy a vágott fűvet visszajuttassa a talajra anélkül, hogy a levágott fűvet a fűgyújtó kosárba gyűjtené. Ha a gépet a mulcsozó betéttel használja, ügyeljen arra, hogy eltávolítsa a fűgyújtó kosarat.

MEGJEGYZÉS: Amikor a mulcsozó betéttel használja a gépet, győződjön meg róla, hogy a fű teljes hossza vágás után legalább 30 mm, és a vágási hossz legfeljebb 15 mm.

► Ábra22: (1) Legalább 30 mm (2) Legfeljebb 15 mm

MŰKÖDTETÉS

Fűnyírás

▲ FIGYELMEZTETÉS: Fűnyírás előtt takarítsa el a botokat és köveket a nyírandó területről. Továbbá, előre távolítson el minden gyomot a nyírandó területről.

▲ FIGYELMEZTETÉS: Mindig viseljen védőszemüveget vagy biztonsági szemüveget oldalpajzzsal, a fűnyíró használata során.

▲ VIGYÁZAT: Ha a levágott fű vagy egy idegen tárgy elakad a fűnyíró házában, gondoskodjon róla, hogy kivegye a kulcsot és az akkumulátort, és viseljen kesztyűt, amikor eltávolítja a fűvet vagy idegen tárgyat.

MEGJEGYZÉS: A gépet kizárólag fűnyírásra használja. A géppel ne nyírjon gyomokat.

► Ábra23

Fűnyírásakor mindkét kezével szilárdan tartsa a fogantyút.

A fűnyírás javasolt sebessége körülbelül 1 méter 4 másodpercenként.

► Ábra24

Az első kerekek külső széle iránymutatóként szolgál a fűnyírás szélességére vonatkozóan. Az első kerekek külső szélét használva iránymutatóként nyírjon sávokban. A lenyírt fű egyenletessége érdekében, a korábban már lenyírt sáv felére, egyharmadára átfedve végezze a fűnyírást.

► Ábra25: 1. Fűnyírási szélesség 2. Átfedő terület 3. Külső szél

Minden egyes alkalommal változtassa meg a fűnyírás irányát, hogy megakadályozza a fűszálak egyirányú dőléséből eredő mintázat kialakulását.

► Ábra26

Időszakosan ellenőrizze a fűgyújtó kosárban lévő lenyírt fűvet. Ne várja meg az ürítéssel, amíg a kosár megtelik. Minden időszakos ellenőrzés előtt állítsa le a fűnyírórt, majd vegye ki a kulcsot és az akkumulátort.

MEGJEGYZÉS: Ha a fűnyíró fűgyújtó kosara megtelik, az akadályozza a kés sima forgását és túlterheli a motort, ami meghibásodáshoz vezethet.

Hosszú füves gyepek nyírása

Ne próbálja meg egy menetben lenyírni a hosszúra nőtt fűvet. Ehelyett több lépésben nyírja le a fűvet. A fűnyírások között várjon egy vagy két napot, amíg a fű egyenletesen rövid nem lesz.

MEGJEGYZÉS: A fű elhalhat, ha a hosszúra nőtt fűvet egy menetben kívánja rövidre vágni. A levágott fű eltömlítheti a fűnyíró belsejét.

A fűgyújtó kosár kiürítése

▲ FIGYELMEZTETÉS: A balesetveszély csökkentéséhez rendszeresen ellenőrizze a fűgyújtó kosarat, nehogy károsodás érje vagy csökkenjen az erőssége. Szükség esetén cserélje ki a fűgyújtó kosarat.

1. Engedje fel a kapcsolókart.
2. Vegye ki a kulcsot.
3. Nyissa ki a hátsó fedelet, és fogantyújánál fogva emelje ki a fűgyújtó kosarat.
► Ábra27: 1. Hátsó fedél 2. Fogantyú
4. Ürítse ki a fűgyújtó kosarat.

KARBANTARTÁS

▲ FIGYELMEZTETÉS: Mindig győződjön meg arról, hogy a kulcs és az akkumulátor ki van véve a fűnyíróból a fűnyíró tárolása vagy szállítása előtt vagy a vizsgálat és karbantartás végrehajtása előtt.

▲ FIGYELMEZTETÉS: Mindig vegye ki a kulcsot, ha nem használja a fűnyírórt. Tartsa a kulcsot biztonságos helyen, gyermekektől távol.

▲ FIGYELMEZTETÉS: Viseljen kesztyűt a vizsgálat és karbantartás során.

▲ FIGYELMEZTETÉS: Mindig viseljen védőszemüveget vagy biztonsági szemüveget oldalpajzzsal, amikor vizsgálatot vagy karbantartást végez.

MEGJEGYZÉS: Soha ne használjon gázolajt, benzint, hígítót, alkoholt vagy hasonló anyagokat. Ezek elszineződést, alakvesztést vagy repedést okozhatnak.

A termék BIZTONSÁGÁNAK és MEGBÍZHATÓSÁGÁNAK fenntartása érdekében a javításokat és más karbantartásokat vagy beállításokat a Makita hivatalos vagy gyári szervizközpontjában kell elvégezni, mindig csak Makita cserealkatrészeket használva.

Karbantartás

1. Vegye ki a kulcsot. Tartsa biztonságos helyen, gyermekektől távol.
2. Csak nedves ruhával tisztítsa a fűnyírót. Tisztításkor ne permetezzen vagy öntsön vizet a fűnyíróra.
3. Fordítsa a fűnyírót az oldalára, és tisztítsa ki a fűnyíró burkolatának alsó részén összegyűlt vágott fűvet.
4. Ellenőrizze az összes anya, gomb, csavar, rögzítők stb. meghúzását.
5. Vizsgálja a mozgó alkatrészeket, hogy nem sérültek-e, illetve van-e rajtuk törés vagy kopás. A sérült vagy hiányzó alkatrészek meg kell javítani vagy ki kell cserélni.

Tárolás

FIGYELMEZTETÉS: A fűnyíró szállítása vagy tárolása során ne az összehajtott fogantyúkat, hanem a fűnyíró elülső markolatát tartsa. Az összehajtott fogantyúkkal tartva a fűnyíró komoly károsodást szenvedhet.

A fűnyíró tárolása előtt vegye ki az akkumulátort és a kulcsot.

Tárolja a fűnyírót beltéri hűvös, száraz és zárt helyen. Ne tárolja a fűnyírót és a töltőt olyan helyen, ahol a hőmérséklet elérheti vagy meghaladhatja a 40 °C hőmérsékletet.

► **Ábra28:** 1. Elülső fogantyú 2. Hátsó fogantyú

1. Lazítsa meg a szorítócsavarokat, és bővítse ki az alsó fogantyút mindkét oldalra. Mozgassa lefelé és előre a fogantyút. Ebben az esetben fogja stabilan az alsó fogantyút, hogy az ne csapódjon vissza az fűnyíró másik oldalára.

► **Ábra29:** 1. Szorítócsavar 2. Alsó fogantyú

2. Lazítsa meg a szorítóanyákat és forgassa vissza a felső fogantyút, miközben mindkét oldalon kibővíti.

► **Ábra30:** 1. Szorítóanya 2. Felső fogantyú

3. Tárolja a fűgyűjtő kosarat a fogantyú és a fűnyíróház között.

► **Ábra31:** 1. Fűgyűjtő kosár

MEGJEGYZÉS: A fűnyíró függőleges helyzetbe állításakor ne az összehajtott fogantyúkat, hanem a fűnyíró elülső markolatát tartsa.

A fűnyíró késének eltávolítása és felszerelése

FIGYELMEZTETÉS: Mindig vegye ki a kulcsot és az akkumulátort a kés kivételekor vagy beszereléskor. Ha nem veszi ki a kulcsot és az akkumulátort, az súlyos személyi sérülésekhez vezethet.

FIGYELMEZTETÉS: A kés a kapcsoló elengedése után még szabadon forog. Ne végezzen semmilyen műveletet, amíg a kés teljesen meg nem állt.

FIGYELMEZTETÉS: A kés kezeléskor mindig viseljen kesztyűt.

A fűnyírókés eltávolítása

DLM382 esetén

1. Fektesse a fűnyírót az oldalára úgy, hogy a fűnyírási magasságot beállító kar a felső részén legyen.
2. A kés rögzítéséhez illesszen egy csavarhúzózt vagy hasonló szerszámot a fűnyíró házában lévő furatba.
3. Forgassa el a csavart az óramutató járásával ellentétes irányban egy villáskulccsal.
► **Ábra32:** 1. Fűnyírókés 2. Csavarhúzó 3. Villáskulcs
4. Távolítsa el sorban a fejescsavart és a kést.
► **Ábra33:** 1. Késtartó 2. Fűnyírókés 3. Fejescsavar

DLM432 esetén

1. Fektesse a fűnyírót az oldalára úgy, hogy a fűnyírási magasságot beállító kar a felső részén legyen.
2. A kés rögzítéséhez illesszen egy csavarhúzózt vagy hasonló szerszámot a fűnyíró házában lévő furatba.
3. Forgassa el a csavart az óramutató járásával ellentétes irányban egy villáskulccsal.
► **Ábra34:** 1. Fűnyírókés 2. Csavarhúzó 3. Villáskulcs
4. Vegye ki sorban a csavart, a külső peremet, a fűnyíró kést és a belső peremet.
► **Ábra35:** 1. Belső illesztőperem 2. Fűnyírókés 3. Külső illesztőperem 4. Csavar

A fűnyírókés felszerelése

A fűnyírókés felszereléséhez kövesse a leszerelési eljárást fordított sorrendben.

FIGYELMEZTETÉS: Óvatosan szerelje be a fűnyírókést. Felső és alsó oldala is van. Helyezze úgy a kést, hogy a forgási irányt jelző nyíl kifelé nézzen.

FIGYELMEZTETÉS: A kés rögzítéséhez húzza meg a csavart az óramutató járásának irányába.

FIGYELMEZTETÉS: Gondoskodjon róla, hogy a fűnyírókés és az összes rögzítő alkatrész megfelelően legyen beszerelve és meghúzva.

FIGYELMEZTETÉS: A kések cseréjekor mindig kövesse a kézikönyvben leírt utasításokat.

HIBAEHÁRÍTÁS

Mielőtt a szervizhez fordulna, először végezzen saját maga is átvizsgálást. Ha olyan problémát talál, amire a kézikönyv nem tartalmaz magyarázatot, ne próbálja meg szétszedni az eszközt. Ehelyett kérjen tanácsot a Makita hivatalos szervizközpontjától, és javításhoz mindig Makita cserealkatrészeket használjon.

Rendellenesség	Lehetséges ok (meghibásodás)	Megoldás
A fűnyíró nem indul be.	Két akkumulátor nincs behelyezve.	Helyezze be a feltöltött akkumulátorokat.
	Akkumulátorprobléma (alacsony feszültség)	Töltse fel az akkumulátort. Ha az újratöltés nem elég hatékony, cserélje ki az akkumulátort.
	A kulcs nincs behelyezve.	Helyezze be a kulcsot.
A motor rövid használat után leáll.	Az akkumulátor töltési szintje alacsony.	Töltse fel az akkumulátort. Ha az újratöltés nem elég hatékony, cserélje ki az akkumulátort.
	A vágási magasság túl alacsonyra van állítva.	Növelje a vágási magasságot.
A gép nem éri el a maximális fordulatszámot.	Az akkumulátort helytelenül szerelték be.	Az akkumulátort az útmutató szerint szerelje be.
	Az akkumulátor feszültsége nagy mértékben csökken.	Töltse fel az akkumulátort. Ha az újratöltés nem elég hatékony, cserélje ki az akkumulátort.
	A meghajtórendszer nem működik megfelelően.	Javításért forduljon a kijelölt helyi szervizhez.
A fűnyírókés nem forog: ⇒ azonnal állítsa le a fűnyírót!	Idegen tárgy, például egy ág akadt el a kés mellett.	Távolítsa el az idegen tárgyat.
	A meghajtórendszer nem működik megfelelően.	Javításért forduljon a kijelölt helyi szervizhez.
A gép rendellenesen rezeg: ⇒ azonnal állítsa le a fűnyírót!	A kés nincs kiegyensúlyozva, túlságosan vagy egyenetlenül kopott.	Cserélje ki a vágókést.

OPCIONÁLIS KIEGÉSZÍTŐK

⚠ VIGYÁZAT: Ezen kiegészítőket és tartozékokat javasoljuk a kézikönyvben ismertetett Makita szerszámhoz. Bármilyen más kiegészítő vagy tartozék használata a személyi sérülés kockázatával jár. A kiegészítőt vagy tartozékot csak rendeltetészerűen használja.

Ha bármilyen segítségre vagy további információra van szüksége ezekkel a tartozékokkal kapcsolatban, keresse fel a helyi Makita Szervizközpontot.

- Fűnyírókés
- Mulcsozó betét
- Eredeti Makita akkumulátor és töltő

MEGJEGYZÉS: A listán felsorolt néhány kiegészítő megtalálható az eszköz csomagolásában standard kiegészítőként. Ezek országonként eltérőek lehetnek.

TECHNICKÉ ŠPECIFIKÁCIE

Model:		DLM382	DLM432
Šírka kosenia (priemer čepele)		380 mm	430 mm
Otáčky naprázdno		3 700 min ⁻¹	3 600 min ⁻¹
Číslo dielu náhradnej čepele kosačky		191D41-2	191D43-8
Rozmery (D x Š x V)	počas prevádzky	D: 1 380 mm až 1 410 mm Š: 450 mm V: 985 mm až 1 005 mm	D: 1 435 mm až 1 490 mm Š: 460 mm V: 1 005 mm až 1 045 mm
	pri uskladnení (bez lapača trávy)	860 mm x 450 mm x 475 mm	865 mm x 460 mm x 475 mm
Menovité napätie		Jednosmerný prúd 36 V	
Čistá hmotnosť		15,0 – 16,5 kg	15,4 – 17,1 kg

- Vzhľadom k neustálemu výskumu a vývoju podliehajú technické údaje uvedené v tomto dokumente zmenám bez upozornenia.
- Technické údaje sa môžu pre rôzne krajiny líšiť.
- Hmotnosť sa môže líšiť v závislosti od nastavcov vrátane akumulátora. Najľahšia a najťažšia kombinácia v súlade s postupom EPTA 01/2014 je uvedená v tabuľke.

Použiteľné akumulátory a nabíjačky

Akumulátor	BL1815N / BL1820 / BL1820B / BL1830 / BL1830B / BL1840 / BL1840B / BL1850 / BL1850B / BL1860B
Nabíjačka	DC18RC / DC18RD / DC18RE / DC18SD / DC18SE / DC18SF / DC18SH

- Niektoré vyššie uvedené akumulátory a nabíjačky môžu byť nedostupné v závislosti od miesta vášho bydliska.

VAROVANIE: Používajte iba akumulátory a nabíjačky zo zoznamu uvedeného vyššie. Používanie akýchkoľvek iných akumulátorov a nabíjačiek môže spôsobiť zranenie a/alebo požiar.

VAROVANIE: S týmto strojom nepoužívajte káblový napájací zdroj ako adaptér akumulátora alebo prenosný napájací zdroj. Kábel takéhoto napájacieho zdroja môže brániť prevádzke a spôsobiť zranenie osôb.

Symbols

Nižšie sú uvedené symboly, ktoré sa môžu používať pri tomto nástroji. Je dôležité, aby ste poznali ich význam, skôr než začnete pracovať.

	Práci venujte veľkú pozornosť a dávajte pozor.
	Prečítajte si návod na obsluhu.
	Nebezpečenstvo; dávajte pozor na odhodené predmety.
	Vzdialenosť medzi náradím a okolostojacími osobami musí byť aspoň 15 m.
	Nikdy nemajte ruky ani nohy v blízkosti čepele v spodnej časti kosačky. Čepele sa otáčajú aj po vypnutí motora.
	Poistku vyberte pred vykonávaním kontroly, čistením, servisom a pred odložením a uskladnením kosačky.



Ni-MH
Li-ion

Len pre štáty EÚ
Nevyhadzujte elektrické zariadenia ani batériu do komunálneho odpadu!
Podľa európskej smernice o nakladaní s použitými elektrickými a elektronickými zariadeniami a smernice o batériách a akumulátoroch a odpadových batériách a akumulátoroch a ich implementovaní v súlade s právnymi predpismi jednotlivých krajín je nutné elektrické zariadenia a batérie po skončení ich životnosti triediť a odovzdať na zberné miesto vykonávajúce environmentálne kompatibilné recyklovanie.

Určené použitie

Zariadenie je určené na kosenie trávy.

Hluk

Typická hladina akustického tlaku zátáže A určená podľa štandardu EN60335-2-77:

Model DLM382

Úroveň akustického tlaku (L_{pA}): 81 dB (A)

Úroveň akustického tlaku (L_{WA}): 91 dB (A)

Odchýlka (K): 3 dB (A)

Model DLM432

Úroveň akustického tlaku (L_{pA}): 81 dB (A)

Úroveň akustického tlaku (L_{WA}): 92 dB (A)

Odchýlka (K): 3 dB (A)

POZNÁMKA: Deklarovaná hodnota emisií hluku bola meraná podľa štandardnej skúšobnej metódy a môže sa použiť na porovnanie jedného nástroja s druhým.

POZNÁMKA: Deklarovaná hodnota emisií hluku sa môže použiť aj na predbežné posúdenie vystavenia ich účinkom.

VAROVANIE: Používajte ochranu sluchu.

VAROVANIE: Emisie hluku sa môžu počas skutočného používania elektrického nástroja odlišovať od deklarovanej hodnoty, a to v závislosti od spôsobov používania náradia a najmä typu spracúvaného obrobku.

VAROVANIE: Nezabudnite označiť bezpečnostné opatrenia s cieľom chrániť obsluhu, a to tie, ktoré sa zakladajú na odhade vystavenia účinkom v rámci reálnych podmienok používania (berúc do úvahy všetky súčasti prevádzkového cyklu, ako sú doby, kedy je nástroj vypnutý a kedy beží bez zaťaženia, ako dodatok k dobe zapnutia).

Vibrácie

Celková hodnota vibrácií (trojosový vektorový súčet) určená podľa štandardu EN60335-2-77:

Model DLM382

Emisie vibrácií (a_h): 2,5 m/s² alebo menej

Odchýlka (K): 2,0 m/s²

Model DLM432

Emisie vibrácií (a_h): 2,5 m/s² alebo menej

Odchýlka (K): 1,5 m/s²

POZNÁMKA: Deklarovaná celková hodnota vibrácií bola meraná podľa štandardnej skúšobnej metódy a môže sa použiť na porovnanie jedného nástroja s druhým.

POZNÁMKA: Deklarovaná celková hodnota vibrácií sa môže použiť aj na predbežné posúdenie vystavenia ich účinkom.

VAROVANIE: Emisie vibrácií sa môžu počas skutočného používania elektrického nástroja odlišovať od deklarovanej hodnoty, a to v závislosti od spôsobov používania náradia a najmä typu spracúvaného obrobku.

VAROVANIE: Nezabudnite označiť bezpečnostné opatrenia s cieľom chrániť obsluhu, a to tie, ktoré sa zakladajú na odhade vystavenia účinkom v rámci reálnych podmienok používania (berúc do úvahy všetky súčasti prevádzkového cyklu, ako sú doby, kedy je nástroj vypnutý a kedy beží bez zaťaženia, ako dodatok k dobe zapnutia).

Vyhlasenie o zhode ES

Len pre krajiny Európy

Vyhlasenie o zhode ES sa nachádza v prílohe A tohto návodu na obsluhu.

BEZPEČNOSTNÉ VAROVANIA

DÔLEŽITÉ BEZPEČNOSTNÉ POKYNY

VAROVANIE: Prečítajte si všetky bezpečnostné výstrahy a pokyny. Nedodržovanie výstrah a pokynov môže mať za následok zasiahnutie elektrickým prúdom, požiar alebo vážne zranenie.

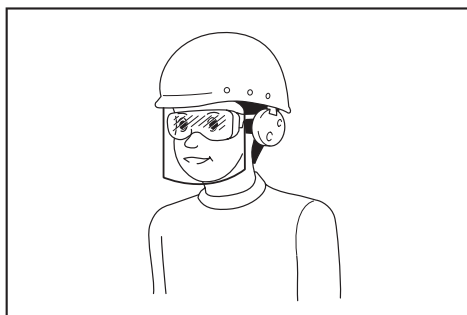
Všetky výstrahy a pokyny si odložte pre prípad potreby v budúcnosti.

Školenie

1. Dôkladne si prečítajte pokyny. Oboznámte sa s ovládačmi a správnym používaním kosačky.
2. Kosačku nikdy nedovoľte používať deťom ani ľuďom, ktorí neboli oboznámení s týmito pokynmi na jej používanie. Miestne nariadenia môžu obmedzovať vek obsluhy.
3. Nikdy nepracujte s kosačkou, ak stojá v blízkosti inej osoby, najmä deti, prípadne zvieratá.
4. Uvedomte si, že obsluha alebo používateľ sú zodpovední za úrazy alebo ohrozenie ostatných ľudí a za škody na ich majetku.
5. Treba dohliadnuť na to, aby sa s kosačkou nehrali deti.
6. Fyzický stav – Kosačku nepoužívajte, pokiaľ ste pod vplyvom drog, alkoholu alebo akýchkoľvek liekov.

Príprava

1. Počas používania kosačky vždy používajte pevnú obuv a dlhé nohavice. Kosačku neobsluhujte, pokiaľ ste bosí alebo máte sandále. Nenoste odev ani šperky, ktoré sú voľné alebo majú visiace šnúrky či upínacie prvky. Môžu ich zachytiť pohyblivé súčasti zariadenia.
2. Pred používaním vizuálne skontrolujte, či kosačka nie je poškodená, či nechýbajú alebo nie sú nesprávne umiestnené ochranné zariadenia a kryty.
3. Pred kosením zabezpečte, aby sa v pracovnej oblasti nenachádzali žiadne osoby. Ak ktokoľvek vstúpi do pracovnej oblasti, zastavte kosačku.
4. Blokovací kľúč do kosačky nezasúvajte, kým nebude pripravená na používanie.
5. Pri používaní elektrického náradia vždy používajte ochranné okuliare, aby ste zabránili zraneniu očí. Ochranné okuliare musia spĺňať požiadavky nariadením ANSI Z87.1 v USA, EN 166 v Európe alebo AS/NZS 1336 v Austrálii a na Novom Zélande. V Austrálii a na Novom Zélande zákon vyžaduje aj nosenie ochranného štítu na tvár.



Zamestnávateľ je zodpovedný nariadiť osobám, ktoré používajú tento nástroj a ktoré sa nachádzajú v bezprostrednej blízkosti, používať príslušné bezpečnostné ochranné prostriedky.

6. Pred prácou dôkladne skontrolujte, či sa na čepeliach alebo skrutkách čepelí nenačádzajú praskliny alebo iné poškodenie. Prasknuté alebo poškodené čepele alebo skrutky čepelí okamžite vymeňte.
7. Pred koseníom odstráňte z pracovnej oblasti cudzie predmety, ako sú kamene, drôty, fľaše, kosti a veľké úlomky, aby ste predišli zraneniu osôb a poškodeniu kosačky.
8. Predmety zachytené čepeľou kosačky môžu osobám spôsobiť vážne poranenia. Pred každým koseníom by ste mali trávnik vždy dôkladne skontrolovať a odstrániť z neho všetky predmety.
9. Dávajte pozor na diery, brázdy, hrbole, kamene alebo iné skryté predmety. Nerovný terén by mohol spôsobiť pošmyknutie a pád. Vo vysokej tráve sa môžu skrývať prekážky.

Prevádzka

1. Pri práci sa nenaťahujte do diaľky. Vždy udržiajte rovnováhu. Na svahoch vždy zaujmite stabilný postoj. Kráčajte, nikdy nebežte.
2. Kosačku vypnite, vyberte poistku a počkajte, kým sa všetky pohyblivé časti úplne nezastavia:
 - vždy, keď opúšťate kosačku,
 - pred odstránením upchatia alebo čistením zaneseného žľabu,
 - pred kontrolou, čistením alebo prácou na kosačke,
 - po náraze na cudzí predmet. Pred opätovným naštartovaním a prevádzkou kosačky skontrolujte, či nedošlo k poškodeniu kosačky a vykonajte prípadné opravy,
 - vždy, keď kosačka začne neštandardne vibrovať.
3. Kosačku nikdy neprevádzkujte, ak má poškodené chrániče alebo štíty, alebo bez bezpečnostných zariadení, napríklad vychýľovačov a/alebo lapača trávy, namontovaných na svojom mieste.
4. Kosačku nepoužívajte počas zlých poveternostných podmienok, najmä ak hrozí riziko bleskov.
5. Pri práci s kosačkou používajte ochranu zraku a pevnú obuv.
6. S kosačkou pracujte len pri dennom svetle alebo pri dobrom umelom osvetlení.
7. Podľa pokynov kosačku opatrne zapnite; nohy majte v dostatočnej vzdialenosti od čepele(i).

8. Dávajte pozor na poranenie nôh a rúk spôsobené čepeľami kosačky.
9. Vždy zabezpečte, aby boli vetracie otvory čisté a bez nečistôt.
10. Koste priečne po svahu; nikdy nekoste smerom nadol a nahor. Pri zmene smeru na svahoch dávajte maximálny pozor. Nekoste nadmerne strmé svahy.
11. Pri pohybe dozadu alebo pri ťahaní kosačky smerom k vám dávajte maximálny pozor.
12. Zastavte čepele pred sklopením kosačky z dôvodu presunu cez iné ako trávnaté miesta a pred prenášaním kosačky na miesto kosenia a z neho.
13. Pri zapínaní motora kosačku nenakláňajte, okrem prípadov, keď sa naklonenie vyžaduje pri naštartovaní. V takomto prípade kosačku nenakláňajte viac, než je potrebné, a zdvihnite iba časť, ktorá smeruje od obsluhy. Pred vrátením kosačky na zem vždy dajte obe ruky do polohy obsluhy.
14. Nestrkajte ruky ani nohy do blízkosti rotujúcich častí ani pod ne. Počas celej doby zabezpečte, aby sa vyprázdňovací otvor nezanášal. Kosačku neprenášajte, ak je zapnutá.
15. Vyhňte sa používaniu kosačky v mokrej tráve.
17. Kosačku nikdy nepoužívajte počas dažďa.
18. Kosačku držte vždy pevne za rukoväť.
19. Pri dvíhaní alebo držaní kosačky sa nedotýkajte odhalených rezných čepelí ani rezných hrán.
20. Zabráňte styku rúk a nôh s rotačnými čepeľami. Pozor – Po vypnutí kosačky sa čepele ešte otáčajú.
21. Ak spozorujete niečo nezvyčajné, okamžite prerušte prácu. Vypnite kosačku a vyberte poistku. Následne kosačku skontrolujte.
22. Ak má kosačka funkciu nastavenia výšky kosenia, nikdy sa nepokúšajte nastavovať výšku kosenia, keď je kosačka spustená.
23. Pred prechádzaním cez cestičky, chodníky, cesty a akékoľvek plochy so štrkovým krytím uvoľnite spinaciu páčku a počkajte, kým sa čepele nezastavia. Blokovací kľúč vyberte aj v prípade, ak sa od kosačky vzdialite, ak chcete zdvihnúť alebo odstrániť niečo na svojej trase pohybu, alebo z akéhokoľvek iného dôvodu, ktorý by mohol narušiť vykonávanie vašej činnosti.
24. Ak kosačka narazí na cudzí predmet, postupujte podľa nasledujúcich krokov:
 - Zastavte kosačku, uvoľnite spinaciu páčku a počkajte, kým sa čepele úplne nezastavia.
 - Vyberte blokovací kľúč a akumulátor.
 - Dôkladne skontrolujte kosačku, či nedošlo k jej poškodeniu.
 - Ak je čepeľ akokoľvek poškodená, vymeňte ju. Pred opätovným naštartovaním alebo pred pokračovaním v prevádzkovaní kosačky odstráňte každé poškodenie.
25. Kosačku neštartujte, pokiaľ stojíte pred vyprázdňovacím otvorom.
26. Ak kosačka začne nadmerne vibrovať (okamžite skontrolujte)

- zistíte poškodenie,
 - vymeňte alebo opravte všetky poškodené diely,
 - skontrolujte a utiahnite všetky uvoľnené diely.
27. Nikdy nemierte vyhadzovanú trávu na iné osoby. Zabráňte vyhadzovaniu trávy na stenu alebo prekážku. Tráva sa môže odraziť späť smerom k obsluhu. Pri prechádzaní cez plochy so štrkom zastavte čepeľ.
 28. Kosačku neťahajte dozadu, pokiaľ to nie je úplne nevyhnutné. Ak je nutné, aby ste s kosačkou cúvli od plota alebo inej podobnej prekážky, pred cúvaním aj počas cúvania sa pozerajte dole a dozadu.
 29. Pred vybratím zachytávača trávy vypnite motor a počkajte, kým sa čepeľ úplne nezastaví. Nezabudnite, že čepeľ sa po vypnutí zastavuje postupne.

Údržba a uskladnenie

1. Opotrebené alebo poškodené časti z bezpečnostných dôvodov vymeňte. Používajte len originálne náhradné diely a príslušenstvo.
2. Kosačku pravidelne kontrolujte a vykonávajte jej údržbu.
3. Keď sa kosačka nepoužíva, uskladnite ju mimo dosahu detí.
4. Všetky matice, svorníky a skrutky musia byť utiahnuté, aby ste mali istotu, že zariadenie je v bezpečnom pracovnom stave.
5. Pravidelne kontrolujte, či nedošlo k opotrebovaniu alebo poškodeniu lapača trávy. Pred uskladnením vyprázdňte lapač trávy. Opatrebovaný lapač trávy z bezpečnostných dôvodov vymeňte za náhradný lapač od výrobcu.
6. Používajte len originálne čepele špecifikované v tomto návode.
7. Počas nastavovania kosačky dávajte pozor, aby sa vám prsty nezachytili medzi pohybujúce sa čepele a pevné diely kosačky.
8. Neumývajte hadicou; zabráňte, aby sa do motora a elektrických prvkov dostala voda.
9. V pravidelných intervaloch kontrolujte správnosť utiahnutia upevňovacej skrutky čepele.
10. Pred uskladnením nechajte kosačku vychladnúť.
11. Pri vykonávaní údržby čepeľí dávajte pozor, pretože aj pri vypnutí napájacieho zdroja sa čepele môžu naďalej otáčať.
12. Nikdy neodstraňujte ani neupravujte bezpečnostné zariadenia. Pravidelne kontrolujte ich správnu funkciu. Nikdy nerobte nič, čo by narušilo určenú funkciu bezpečnostného zariadenia alebo znížilo ochranu, ktorú bezpečnostné zariadenie poskytuje.

Používanie a starostlivosť o akumulátorový nástroj

1. Nabíjajte iba nabíjačkou určenou výrobcom. Nabíjačka vhodná pre jeden typ akumulátora môže pri inom type akumulátora spôsobiť riziko vzniku požiaru.
2. Elektrické nástroje používajte iba s príslušným typom akumulátora. Použitie iného typu akumulátora môže spôsobiť riziko vzniku požiaru a úrazu.

3. Keď sa akumulátor práve nepoužíva, skladujte ho mimo iných kovových predmetov ako sponky, mince, kľúče, klince, skrutky alebo iné malé kovové predmety, ktoré by mohli kontakty akumulátora skratovať. Skratovanie kontaktov akumulátora môže spôsobiť popáleniny alebo požiar.
4. Pri nevhodných podmienkach môže z akumulátora vytekať tekutina. Nedotýkajte sa jej. Pri náhodnom kontakte ju opláchnite vodou. Ak kvapalina zasiahne oči, vyhľadajte lekársku pomoc. Kvapalina, ktorá vytekla z akumulátora, môže spôsobiť podráždenie alebo popáleniny.
5. Nepoužívajte akumulátor alebo nástroj, ktorý je poškodený alebo upravený. Fungovanie poškodených alebo upravených akumulátorov ťažko predvídať a môžu zapríčiniť požiar, výbuch alebo zranenie.
6. Akumulátor ani nástroj nevystavujte ohňu či nadmernej teplote. Vystavenie ohňu alebo teploty nad 130 °C môže spôsobiť výbuch.
7. Dodržiavajte všetky pokyny pre nabíjanie a akumulátor ani nástroj nenabíjajte v prípade prekročenia teplotného rozsahu uvedeného v návode. Nesprávne nabíjanie alebo nabíjanie pri teplotách mimo uvedeného rozsahu môže spôsobiť poškodenie akumulátora a zvýšiť riziko požiaru.

Bezpečnosť pri práci s elektrickým náradím a akumulátorom

1. Akumulátor(y) nelikvidujte odhodaním do ohňa. Článok môže vybuchnúť. Informácie o možných zvláštnych predpisoch týkajúcich sa likvidácie nájdete v miestnych zákonoch.
2. Akumulátor(y) neotvárajte ani neznehodnocujte. Uvoľnené elektrolyt je leptavý a môže spôsobiť poškodenie zraku alebo pokožky. V prípade požitia môže byť jedovatý.
3. Batérie nenabíjajte na daždi ani na mokrých miestach.
4. Akumulátor nenabíjajte v exteriéri.
5. Nedotýkajte sa nabíjačky vrátane zástrčky a nabíjajúcich svoriek mokrymi rukami.

Servis

1. Servis elektrického nástroja nechajte vykonať kvalifikovaným pracovníkom s použitím výhradne identických náhradných dielov. Tým zaisťujete zachovanie bezpečnosti elektrického nástroja.
2. Nikdy nevykonávajte servis poškodených akumulátorov. Servis akumulátorov má vykonávať len výrobca alebo autorizovaní poskytovatelia servisných služieb.

TIETO POKYNY USCHOVAJTE.

VAROVANIE: NIKDY nepripustíte, aby seba-vedomie a dobrá znalosť výrobku (získané opakovaným používaním) nahradili presné dodržiavanie bezpečnostných pravidiel pre náradie.

NESPRÁVNE POUŽÍVANIE alebo nedodržiavanie bezpečnostných zásad uvedených v tomto návode môže viesť k vážnemu zraneniu.

Dôležité bezpečnostné a prevádzkové pokyny pre akumulátor

1. Pred použitím akumulátora si prečítajte všetky pokyny a výstažné označenia na (1) nabíjačke akumulátorov, (2) akumulátore a (3) produkte používajúcom akumulátor.
2. Akumulátor nerozoberajte ani neupravujte. Môže to viesť k požiaru, nadmernému teplu alebo výbuchu.
3. Ak sa doba prevádzky príliš skráti, ihneď prerušte prácu. Môže nastať riziko prehriatia, možných popálením či dokonca explózie.
4. V prípade zasiahnutia oči elektrolytom ich vypláchnite čistou vodou a okamžite vyhľadajte lekársku pomoc. Môže dôjsť k strate zraku.
5. Akumulátor neskratujte:
 - (1) Nedotýkajte sa konektorov žiadnym vodivým materiálom.
 - (2) Neskladujte akumulátor v obale s inými kovovými predmetmi, napríklad klincami, mincami a pod.
 - (3) Akumulátor nevystavujte vode ani dažďu. Skrat akumulátora môže spôsobiť veľký tok prúdu, prehriatie, možné popáleniny či dokonca poruchu.
6. Nástroj ani akumulátor neskladujte a nepoužívajte na miestach s teplotou presahujúcou 50 °C (122 °F).
7. Akumulátor nespaliťte, ani keď je vážne poškodený alebo úplne opotrebovaný. Akumulátor môže v ohni explodovať.
8. Akumulátor neprepichujte, neprerezávajte, nedrvte, nehádzte ani ho nenarúšajte údermi o tvrdé predmety. Môže to viesť k požiaru, nadmernému teplu alebo výbuchu.
9. Nepoužívajte poškodený akumulátor.
10. Litium-iónové akumulátory, ktoré sú súčasťou u náradia, podliehajú požiadavkám legislatívy o nebezpečnom tovare.

V prípade obchodnej prepravy, napr. dodanie tretími stranami či špeditériami, sa musia dodržiavať špeciálne požiadavky na zabalenie a označenie. Pred prípravou položky na odoslanie sa vyžaduje konzultácia s odborníkom na nebezpečný materiál. Taktiež treba dodržiavať potenciálne podrobnejšie predpisy príslušnej krajiny. Prelepte alebo zakryte otvorené kontakty a zabalte akumulátor tak, aby sa v balíku nemohol voľne pohybovať.
11. Akumulátor pri likvidácii odstráňte z nástroja a zlikvidujte ho na bezpečnom mieste. Akumulátor zlikvidujte v súlade s miestnymi nariadeniami.
12. Akumulátory používajte iba s výrobkami uvedenými spoločnosťou Makita. Inštalácia akumulátorov do nevyhovujúcich výrobkov môže spôsobiť požiar, nadmerné teplo, výbuch alebo únik elektrolytov.
13. Ak sa nástroj dlhší čas nepoužíva, odstráňte z neho akumulátor.
14. Akumulátor sa môže počas používania a po použití zahriať, čo môže spôsobiť popáleniny alebo popáleniny aj pri relatívne nízkej teplote. Pri manipulácii s horúcimi akumulátormi dávajte pozor.

15. Nedotýkajte sa svorky nástroja ihneď po použití, keďže sa mohla zahriať dostatočne na to, aby spôsobila popáleniny.
16. Zabráňte zachytávaniu triesok, prachu alebo zeminy na svorkách, otvoroch a drážkach akumulátora. Môže to viesť k slabému výkonu alebo poškodeniu nástroja alebo akumulátora.
17. Pokiaľ nástroj nepodporuje používanie v blízkosti vysokonapäťových elektrických vedení, nepoužívajte akumulátor blízko vysokonapäťových elektrických vedení. Môže to viesť k nesprávnemu fungovaniu alebo poškodeniu nástroja alebo akumulátora.
18. Akumulátor držte mimo dosahu detí.

TIETO POKYNY USCHOVAJTE.

⚠ POZOR: Používajte len originálne akumulátory od spoločnosti Makita. Používanie batérií, ktoré nie sú od spoločnosti Makita, alebo upravených batérií môže spôsobiť výbuch batérie a následný požiar, zranenie osôb alebo poškodeniu majetku. Následkom bude aj zrušenie záruky od spoločnosti Makita na nástroj a nabíjačku od spoločnosti Makita.

Rady na udržanie maximálnej životnosti akumulátora

1. Akumulátor nabite ešte predtým, ako sa úplne vybije. Vždy prerušte prácu s nástrojom a nabite akumulátor, keď spozorujete nižší výkon nástroja.
2. Nikdy nenabíjate plne nabitý akumulátor. Prebíjanie skracuje životnosť akumulátora.
3. Akumulátor nabíjajte pri izbovej teplote 10 °C – 40 °C (50 °F – 104 °F). Pred nabíjaním nechajte horúci akumulátor vychladnúť.
4. Keď akumulátor nepoužívate, vyberte ho z nástroja alebo nabíjačky.
5. Litium-iónový akumulátor nabite, ak ste ho nepoužívali dlhšie ako šesť mesiacov.

ZOSTAVENIE

⚠ VAROVANIE: Pred vykonávaním akejkoľvek činnosti na kosačke vždy vyberte poistku a akumulátor. Ak nevyberiete poistku a akumulátor, môže to pri náhodnom spustení spôsobiť vážne zranenie osôb.

⚠ VAROVANIE: Kosačku nikdy neštartujte, ak nie je úplne zmontovaná. Prevádzka čiastočne zmontovaného zariadenia môže pri náhodnom naštartovaní spôsobiť vážne zranenie.

Inštalácia krytu akumulátora

⚠ VAROVANIE: Poistku ani akumulátor nezkładajte pred montážou krytu akumulátora. V opačnom prípade môže dôjsť k vážnemu úrazu.

Pred prevádzkou dôsledne nasadte kryt akumulátora. Kryt akumulátora chráni akumulátor kosačky pred biatom, nečistotami a vodou.

1. Umiestnite kryt akumulátora s výčnelkami na kosačku zarovnanými s otvormi v kryte akumulátora.

► **Obr.1:** 1. Výčnelok 2. Otvor 3. Kryt akumulátora

2. Položte ruky na stred krytu akumulátora a zatlačte ho.

► **Obr.2**

3. Pred prvou prevádzkou skontrolujte správne pripojenie otočného čapu krytu akumulátora. Ak je kryt akumulátora správne namontovaný, otvorí sa až po zatiahnutí za poistnú páčku.

► **Obr.3:** 1. Otočný čap 2. Poistná páčka krytu akumulátora

Inštalácia rukoväti

UPOZORNENIE: Pri inštalácii rukoväti umiestnite kabeláž tak, aby sa medzi rukovätami nemohla o nič zachytiť. V prípade poškodenia kabeláže nemusí spínač kosačky fungovať.

1. Obidva konce spodnej rukoväti zasuňte do drážok v kosačke a upínacie skrutky úplne dotiahnite.

► **Obr.4:** 1. Upínacia skrutka 2. Spodná rukoväť

2. Zarovnajzte otvory na skrutky hornej aj spodnej rukoväti. Zaisťte ich upínacími skrutkami a maticami.

► **Obr.5:** 1. Upínacia matica 2. Upínacia skrutka

POZNÁMKA: Hornú rukoväť držte pevne, aby vám nevypadla z ruky.

3. K rukoväti pripojte držiaky. Napájací kábel umiestnite podľa znázornenia na obrázku.

► **Obr.6:** 1. Držiak

Odstránenie mulčovacej zátky

Voliteľné príslušenstvo

1. Otvorte zadný kryt.

► **Obr.7:** 1. Zadný kryt

2. Rukou uchopte mulčovaciu zátku a vyťahnite ju z telesa kosačky, ako je znázornené na obrázku.

► **Obr.8:** 1. Mulčovacia zátka 2. Rukoväť

Inštalácia lapača trávy

1. Otvorte zadný kryt.

► **Obr.9:** 1. Zadný kryt

2. Lapač trávy háčikmi zachyťte o tyč na tele kosačky podľa zobrazenia na obrázku.

► **Obr.10:** 1. Háč 2. Tyč 3. Lapač trávy

Pripevnenie mulčovacej zátky

Voliteľné príslušenstvo

1. Otvorte zadný kryt a potom vyberte lapač trávy.

► **Obr.11:** 1. Zadný kryt 2. Lapač trávy

2. Rukou uchopte mulčovaciu zátku a pripojte ju do telesa kosačky, ako je znázornené na obrázku.

► **Obr.12:** 1. Mulčovacia zátka 2. Rukoväť

OPIS FUNKCIÍ

Inštalácia alebo demontáž akumulátora

▲POZOR: Pred inštaláciou alebo vybratím akumulátora zariadenie vždy vypnite.

▲POZOR: Pred použitím zaistíte kryt akumulátora. V opačnom prípade môžu blato, nečistoty alebo voda poškodiť výrobok alebo akumulátor.

▲POZOR: Akumulátor vždy nainštalujte úplne, až kým nie je vidieť červený indikátor. V opačnom prípade môže náhodne vypadnúť zo zariadenia a ublížiť vám alebo osobám v okolí.

▲POZOR: Pri inštalovaní akumulátora nepoužívajte silu. Ak sa akumulátor nedá zasunúť ľahko, nevkladáte ho správne.

POZNÁMKA: Zariadenie nefunguje len s jedným akumulátorom.

Inštalácia akumulátora:

1. Potiahnite poistnú páčku krytu akumulátora k sebe a otvorte kryt akumulátora.

► **Obr.13:** 1. Kryt akumulátora 2. Poistná páčka krytu akumulátora

2. Zarovnajzte výčnelok akumulátora s otvorom v kosačke, následne akumulátor zasúvajte do kosačky, kým sa zaistí na mieste a ozve sa slabé cvaknutie.

► **Obr.14:** 1. Akumulátor

3. Zasuňte poistku na miesto znázornené na obrázku až na doraz.

► **Obr.15:** 1. Poistka

4. Zatvorte kryt akumulátora, zatlačte ho a uzavrite pomocou poistnej páčky.

Vybratie akumulátora z kosačky:

1. Potiahnite poistnú páčku krytu akumulátora k sebe a otvorte kryt akumulátora.

2. Pri vyberaní akumulátor vysuňte z kosačky posúvaním tlačidla na prednej strane akumulátora.

3. Vyťahnite poistku.

4. Zatvorte kryt akumulátora.

Systém na ochranu zariadenia/akumulátora

Zariadenie je vybavené systémom ochrany zariadenia/akumulátora. Tento systém automaticky vypne napájanie motora s cieľom predĺžiť životnosť nástroja a akumulátora. Zariadenie sa počas prevádzky automaticky zastaví v prípade, ak sa zariadenie alebo akumulátor dostanú do jedného z nasledujúcich stavov.

Ochrana proti preťaženiu

Keď sa zariadenie používa spôsobom, ktorý spôsobuje neštandardne vysoký odber prúdu, zariadenie sa bez upozornenia automaticky zastaví. V tejto situácii vypnite zariadenie a ukončíte používanie, ktoré spôsobuje jeho preťažovanie. Potom zariadenie zapnutím znova spustíte.

Ochrana pred prehrievaním

Keď je zariadenie prehriate, automaticky sa zastaví. Pred opätovným zapnutím nechajte zariadenie vychladnúť.

Ochrana pred nadmerným vybitím

Keď sa kapacita akumulátora zníži, zariadenie sa automaticky zastaví. Ak výrobok nebude fungovať ani po použití vypínača, vyberte zo zariadenia akumulátory a nabite ich.

Indikácia zvyšnej kapacity akumulátora

► **Obr.16:** 1. Indikátor akumulátora









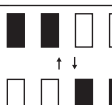
Ak je zostávajúca kapacita akumulátora nízka, kontrolka akumulátora na strane príslušného akumulátora bliká. Pri ďalšom použití sa zariadenie zastaví a kontrolka akumulátora sa rozsvieti približne na 10 sekúnd. V takej situácii nabite akumulátor.

Indikácia zvyšnej kapacity akumulátora

Len na akumulátory s indikátorom

► **Obr.17:** 1. Indikátory 2. Tlačidlo kontroly

Stlačením tlačidla kontroly na akumulátore zobrazíte zostávajúcu kapacitu akumulátora. Indikátory sa na niekoľko sekúnd rozsvietia.

Indikátory			Zostávajúca kapacita
 Svieti	 Nesvieti	 Bliká	
			75 % až 100 %
			50 % až 75 %
			25 % až 50 %
			0 % až 25 %
			Akumulátor nabite.
			Akumulátor je možno chybný.

POZNÁMKA: V závislosti od podmienok používania a v závislosti od okolitej teploty sa môže zobrazenie mierne odlišovať od skutočnej kapacity.

Zapínanie

VAROVANIE: Pred nainštalovaním akumulátora sa vždy presvedčte, či sa spínacia páčka správne aktivuje a či sa po uvoľnení vracia do pôvodnej polohy. Prevádzka zariadenia s nesprávne fungujúcim spúšťacím spínačom môže viesť k strate ovládania a k vážnym zraneniam osôb.

POZNÁMKA: Kosačka nenašartuje bez stlačenia spínača ani po potiahnutí za spínaciu páčku.

POZNÁMKA: Kosačka sa nemusí spustiť v dôsledku preťaženia, keď sa pokúšate kosiť dlhú alebo hustú trávu. V tomto prípade zvýšte výšku kosenia.

Táto kosačka je vybavená blokovacím spínačom a spínačom na rukoväti. Ak spozorujete na ktoromkoľvek z týchto spínačov niečo nezvyčajné, okamžite zastavte prevádzku a nechajte ich skontrolovať v najbližšom autorizovanom servisnom stredisku spoločnosti Makita.

1. Nainštalujte akumulátory. Poistku zasuňte do blokacieho spínača a potom zatvorte kryt akumulátora.
► **Obr.18:** 1. Akumulátor 2. Poistka
2. Stlačte spínač a podržte ho stlačený.
3. Chyťte hornú rukoväť a zatiahnite za spínaciu páčku.
► **Obr.19:** 1. Spínač 2. Spínacia páčka
4. Len čo motor naštartuje, uvoľnite tlačidlo spínača. Kosačka bude bežať, kým neuvolníte spínaciu páčku.
5. Motor zastavíte uvoľnením spínacej páčky.

Nastavenie výšky kosenia

VAROVANIE: Pri nastavovaní výšky kosenia nikdy nekladte ruku ani nohu pod telo kosačky.

VAROVANIE: Pred prevádzkovaním zasuňte páčku správnym spôsobom do drážky.

Výšku kosenia možno nastaviť v rozsahu 20 mm až 75 mm.

1. Vytiahnite poistku.
2. Potiahnite páčku nastavenia výšky kosenia k vonkajšej strane tela kosačky a posúvajte ňou, kým nedosiahnete požadovanú výšku kosenia.
► **Obr.20:** 1. Páčka na nastavenie výšky kosenia

POZNÁMKA: Číselné hodnoty výšky kosenia slúžia ako pomôcka. V závislosti od stavu trávnika alebo pôdy sa môže skutočná výška od tej nastavenej mierne odlišovať.

POZNÁMKA: Aby ste dosiahli požadovanú výšku, vyskúšajte si kosenie trávy na menej nápadnom mieste.

Indikátor množstva trávy

► **Obr.21:** 1. Indikátor množstva trávy

Indikátor množstva trávy signalizuje objem pokosenej trávy.

- Ak lapač trávy nie je plný, indikátor sa počas kosenia pohybuje.
- Ak je lapač trávy plný, indikátor sa počas kosenia nepohybuje. V tomto prípade okamžite prestaňte kosiť a lapač vyprázdnite. Po vyprázdnení lapač vyčistite, aby cez otvory v sieťke prúdil vzduch.

POZNÁMKA: Tento indikátor je len približný. V závislosti od stavu vnútri lapača nemusí tento indikátor fungovať správne.

Použitie mulčovacej zátky

Voliteľ/né príslušenstvo

Mulčovacia zátka umožňuje vrátiť pokosenú trávu späť na trávnik bez toho, aby sa táto tráva dostala do lapača trávy. Pri používaní zariadenia s mulčovacou zátkou nezabudnite odstrániť lapač trávy.

UPOZORNENIE: Pri používaní zariadenia s mulčovacou zátkou sa uistite, že celková výška trávy po kosení je minimálne 30 mm, alebo že výška kosenia je maximálne 15 mm.

► Obr.22: (1) Minimálne 30 mm (2) Maximálne 15 mm

PREVÁDZKA

Kosenie

VAROVANIE: Pred kosením vždy odstráňte konáre a kamene z miesta kosenia. Z plochy, ktorú budete kosiť, okrem toho vopred odstráňte burinu.

VAROVANIE: Pri práci s kosačkou vždy používajte ochranný štít na tvár alebo ochranné okuliare s bočnými štítmí.

POZOR: Ak vnútro tela kosačky upcháva pokosená tráva alebo cudzí predmet, vyťahnite blokovací kľúč a akumulátor a pred odstránením trávy alebo cudzieho predmetu si nasadzte rukavice.

UPOZORNENIE: Toto zariadenie používajte iba na kosenie trávy. Týmto zariadením nekoste burinu.

► Obr.23

Počas kosenia držte rukoväť pevne obidvomi rukami. Orientačná rýchlosť kosenia je približne 1 meter za 4 sekundy.
► Obr.24

Vonkajšie okraje predných kolies slúžia ako pomôcka na určenie šírky kosenia. Použitie vonkajších okrajov predných kolies ako pomôcka, kosenie pásov. Aby bol trávnik rovnomerne pokosený, prekryte predchádzajúci pokosený pás o jednu polovicu až jednu tretinu.

► Obr.25: 1. Šírka kosenia 2. Prekrývajúca časť 3. Vonkajší okraj

Smer kosenia zakaždým zmeňte, aby sa na trávne nevytvoril vzor zrna, ktorý vzniká pri kosení iba jedným smerom.

► Obr.26

Pravidelne kontrolujte množstvo pokosenej trávy v lapači. Lapač vyprázdňte ešte pred jeho naplnením. Pred každou pravidelnou kontrolou kosačku zastavte a vyberte z nej poistku a akumulátor.

UPOZORNENIE: Používanie kosačky s plným lapačom trávy bráni plynulému otáčaniu čepele, pričom dochádza k zvýšenému zaťaženiu motora, ktorý sa môže poškodiť.

Kosenie trávnik s vysokou trávou

Vysokú trávu sa nesnažte kosť na jeden záber. Namiesto toho kose trávnik v niekoľkých krokoch. Jednotlivé kosenia vykonávajte s jedno- alebo dvojkoľovou pauzou a postupujte takto, kým trávnik nie je rovnomerne pokosený.

POZNÁMKA: Radikálne skosenie dlhej trávy na krátky rozmer môže spôsobiť odumretie trávy. Okrem toho sa pokosená tráva môže zaseknúť vnútri tela kosačky.

Vyprázdnenie lapača trávy

VAROVANIE: Aby ste znížili riziko úrazu, pravidelne kontrolujte lapač trávy, či nie je poškodený alebo oslabený. V prípade potreby vymeňte lapač trávy.

1. Uvoľnite spínaciu páčku.
2. Vyťahnite poistku.
3. Otvorte zadný kryt a uchopením rukoväti lapač trávy vyberte.
► Obr.27: 1. Zadný kryt 2. Rukoväť
4. Vyprázdňte lapač trávy.

ÚDRŽBA

VAROVANIE: Pred uskladnením, prenášaním, vykonávaním kontroly alebo údržby kosačky z nej vždy vyťahnite blokovací kľúč a akumulátor.

VAROVANIE: Keď sa kosačka nepoužíva, vždy z nej vyťahnite poistku. Poistku uschovajte na bezpečnom mieste mimo dosahu detí.

VAROVANIE: Kontrolu alebo údržbu vždy vykonávajte v rukaviciach.

VAROVANIE: Pri vykonávaní kontroly alebo údržby vždy používajte ochranný štít na tvár alebo ochranné okuliare s bočnými štítmí.

UPOZORNENIE: Nepoužívajte benzín, riedidlo, alkohol ani podobné látky. Mohlo by to spôsobiť zmenu farby, deformácie alebo praskliny.

Ak chcete udržať BEZPEČNOSŤ a BEZPORUCHOVOSŤ výrobku, prenechajte opravy, údržbu a nastavenie na autorizované alebo továrenské servisné centrá Makita, ktoré používajú len náhradné diely značky Makita.

Údržba

1. Vyťahnite poistku. Uschovajte ju na bezpečnom mieste mimo dosahu detí.
2. Kosačku očistíte vlhkou handričkou. Počas čistenia nestriekajte ani nelejte vodu na kosačku.
3. Otočte kosačku nabok a odstráňte zvyšky trávy nahromadené na spodnej strane skrine kosačky.
4. Skontrolujte utiahnutie všetkých matíc, svorníkov, ovládacích prvkov, skrutiek, upínacích prvkov a pod.
5. Skontrolujte, či pohyblivé časti nie sú poškodené, zlomené alebo opotrebované. Poškodené alebo chýbajúce časti treba opraviť alebo nahradiť.

Uskladnenie

VAROVANIE: Pri prenášaní alebo skladovaní kosačku nedržte za zložené rukoväti, ale za predné držadlo kosačky. Držaním za zložené rukoväti si môžete spôsobiť vážne zranenie alebo poškodiť kosačku.

Pred uskladnením kosačky z nej vyberte akumulátor a poistku.

Kosačku uskladnite vnútri na chladnom, suchom a uzamknutom mieste. Kosačku a nabíjačku neskladujte na miestach, kde môže teplota dosiahnuť či prekročiť 40 °C.

► **Obr.28:** 1. Predné držadlo 2. Zadné držadlo

1. Uvoľnite upínacie skrutky a vysuňte obidve strany spodnej rukoväti. Postupujte smerom dopredu. V tejto fáze pevne uchopte spodnú rukoväť, aby sa na vzdialenom konci neoddelila od tela kosačky.

► **Obr.29:** 1. Upínacia skrutka 2. Spodná rukoväť

2. Uvoľnite upevňovacie matice a hornú rukoväť natočte dozadu. Súčasne vysúvajte obidve strany.

► **Obr.30:** 1. Upínacia matica 2. Horná rukoväť

3. Lapač trávy uložte medzi rukoväť a hlavnú časť kosačky.

► **Obr.31:** 1. Lapač trávy

POZNÁMKA: Pri uvádzaní kosačky do vzpriamenej polohy kosačku nedržte za rukoväť, ale uchopte ju za predné držadlo.

Demontáž alebo montáž čepele kosačky

VAROVANIE: Pri demontáži a inštalácii čepele vždy vyberte poistku a akumulátor. Ak nevyberiete poistku a akumulátor, môže to spôsobiť vážne zranenie.

VAROVANIE: Po uvoľnení spínača sa čepeľ bude ešte chvíľu otáčať. Ďalšiu prácu nezačínajte, kým sa čepeľ úplne nezastaví.

VAROVANIE: Pri manipulácii s čepeľou vždy používajte rukavice.

Demontáž čepele kosačky

Pre model DLM382

1. Otočte kosačku nabok tak, aby páčka na nastavenie výšky kosenia bola navrchu.

2. Otáčanie čepele zablokujte vložením skrutkovača alebo podobného nástroja do otvoru v telese kosačky.

3. Kľúčom otáčajte skrutku proti smeru hodinových ručičiek.

► **Obr.32:** 1. Čepeľ kosačky 2. Skrutkovač 3. Kľúč

4. Odstráňte skrutku a čepeľ v uvedenom poradí.

► **Obr.33:** 1. Držiak čepele 2. Čepeľ kosačky
3. Skrutka

Pre model DLM432

1. Otočte kosačku nabok tak, aby páčka na nastavenie výšky kosenia bola navrchu.

2. Otáčanie čepele zablokujte vložením skrutkovača alebo podobného nástroja do otvoru v telese kosačky.

3. Kľúčom otáčajte skrutku proti smeru hodinových ručičiek.

► **Obr.34:** 1. Čepeľ kosačky 2. Skrutkovač 3. Kľúč

4. Postupne demontujte skrutku, vonkajšiu prírubu, čepeľ kosačky a vnútornú prírubu.

► **Obr.35:** 1. Vnútorná prírubu 2. Čepeľ kosačky
3. Vonkajšia prírubu 4. Skrutka

Inštalácia čepele kosačky

Pri montáži čepele kosačky vykonajte kroky demontáže v opačnom poradí.

VAROVANIE: Montáž čepele kosačky vykonajte opatrne. Čepeľ má vrchnú a spodnú stranu. Čepeľ umiestnite tak, aby šípka na označenie smeru otáčania bola na vonkajšej strane.

VAROVANIE: Pevným utiahnutím skrutky v smere hodinových ručičiek čepeľ zaistíte.

VAROVANIE: Skontrolujte, či sú čepeľ kosačky a všetky upevňovacie súčasti správne nainštalované a pevne utiahnuté.

VAROVANIE: Pri výmene čepele vždy dodržiavajte pokyny uvedené v tomto návode.

RIEŠENIE PROBLÉMOV

Pred požiadanim o vykonanie opravy najprv vykonajte vlastnú kontrolu. Ak zistíte problém, ktorý nie je vysvetlený v návode, nepokúšajte sa nástroj rozoberať. Namiesto toho požiadajte o opravu autorizované servisné strediská spoločnosti Makita, ktoré používajú len náhradné diely značky Makita.

Chybný stav	Predpokladaná príčina (porucha)	Náprava
Kosačka neštartuje.	Dva akumulátory nie sú nainštalované.	Nainštalujte nabité akumulátory.
	Problém akumulátora (podpätie)	Akumulátor znova nabite. Pokiaľ nabíjanie nie je účinné, vymeňte akumulátor.
	Poistka nie je zasunutá.	Zasuňte poistku.
Motor po krátkom používaní zastane.	Nabitie akumulátora nie je dostatočné.	Akumulátor znova nabite. Pokiaľ nabíjanie nie je účinné, vymeňte akumulátor.
	Výška kosenia je nastavená na nízku hodnotu.	Zväčšite výšku kosenia.
Motor nedosahuje maximálne otáčky.	Akumulátor nie je nainštalovaný správne.	Akumulátor nainštalujte podľa popisu v tomto návode.
	Výkon akumulátora klesá.	Akumulátor znova nabite. Pokiaľ nabíjanie nie je účinné, vymeňte akumulátor.
	Systém pohonu nefunguje správne.	O opravu požiadajte miestne autorizované servisné stredisko.
Čepeľ kosačky sa neotáča: ⇒ okamžite kosačku zastavte!	V blízkosti čepele sa zasekol cudzí predmet, napr. konár.	Odstráňte cudzí predmet.
	Systém pohonu nefunguje správne.	O opravu požiadajte miestne autorizované servisné stredisko.
Nadmerné vibrácie: ⇒ okamžite kosačku zastavte!	Čepeľ je nevyvážená, je nadmerne alebo nerovnomerne opotrebovaná.	Vymeňte čepeľ.

VOLITEĽNÉ PRÍSLUŠENSTVO

⚠ POZOR: Pre váš nástroj Makita, opísaný v tomto návode, doporučujeme používať toto príslušenstvo a nástavce. Pri použití iného príslušenstva či nástavcov môže hroziť nebezpečenstvo zranenia osôb. Príslušenstvo a nástavce sa môžu používať len na účely pre ne stanovené.

Ak potrebujete bližšie informácie týkajúce sa tohoto príslušenstva, obráťte sa na vaše miestne servisné stredisko firmy Makita.

- Čepeľ kosačky
- Mulčovací zátka
- Originálna batéria a nabíjačka Makita

POZNÁMKA: Niektoré položky zo zoznamu môžu byť súčasťou balenia nástrojov vo forme štandardného príslušenstva. Rozsah týchto položiek môže byť v každej krajine odlišný.

SPECIFIKACE

Model:		DLM382	DLM432
Šířka sečení (průměr nožů)		380 mm	430 mm
Otáčky bez zatížení		3 700 min ⁻¹	3 600 min ⁻¹
Číslo dílu náhradního sekacího nože		191D41-2	191D43-8
Rozměry (D x Š x V)	provozní	D: 1 380 mm až 1 410 mm Š: 450 mm V: 985 mm až 1 005 mm	D: 1 435 mm až 1 490 mm Š: 460 mm V: 1 005 mm až 1 045 mm
	při skladování (bez koše na trávu)	860 mm × 450 mm × 475 mm	865 mm × 460 mm × 475 mm
Jmenovité napětí		36 V DC	
Čistá hmotnost		15,0 – 16,5 kg	15,4 – 17,1 kg

- Vzhledem k neustálému výzkumu a vývoji zde uvedené technické údaje podléhají změnám bez upozornění.
- Specifikace se mohou pro různé země lišit.
- Hmotnost se může lišit v závislosti na nástavcích a přídatných zařízeních, včetně akumulátoru. Nejlehčí a nejtěžší kombinace, dle EPTA-Procedure 01/2014, jsou uvedeny v tabulce níže.

Použitelný akumulátor a nabíječka

Akumulátor	BL1815N / BL1820 / BL1820B / BL1830 / BL1830B / BL1840 / BL1840B / BL1850 / BL1850B / BL1860B
Nabíječka	DC18RC / DC18RD / DC18RE / DC18SD / DC18SE / DC18SF / DC18SH







- V závislosti na regionu vašeho bydliště nemusí být některé akumulátory a nabíječky k dispozici.

VAROVÁNÍ: Používejte pouze výše uvedené akumulátory a nabíječky. Použití jiných akumulátorů a nabíječek může způsobit zranění a/nebo požár.

VAROVÁNÍ: Tento stroj nenapájejte ze sítě prostřednictvím adaptéru baterie nebo přenosného akumulátoru. Kabel tohoto zdroje napájení může bránit provozu a způsobit zranění osob.

Symby

Níže jsou uvedeny symby, se kterými se můžete při použití nářadí setkat. Je důležité, abyste dříve, než s ním začnete pracovat, pochopili jejich význam.

	Buďte obzvláště opatrní a dávejte pozor.
	Přečtěte si návod k obsluze.
	Nebezpečí – pozor na odmrštěné předměty.
	Vzdálenost mezi zařízením a přihlížejícími osobami musí být alespoň 15 m.
	Nikdy nepřibližujte ruce ani nohy do blízkosti nože v dolní části sekačky. Nože se po vypnutí motoru nadále otáčejí.
	Před prováděním kontroly, seřizováním, čištěním, údržbou, ponecháním sekačky bez dozoru či před uskladněním vytáhněte blokovací klíč.



Pouze pro země EU
Elektrické zařízení ani akumulátor nelikvidujte současně s domovním odpadem! Vzhledem k dodržování evropských směrnic o odpadních elektrických a elektronických zařízeních a směrnic o bateriích, akumulátorech a odpadních bateriích a akumulátorech s jejich implementací v souladu s národními zákony musí být elektrická zařízení, baterie a akumulátory po skončení životnosti odděleně shromážděny a předány do ekologicky kompatibilního recyklačního zařízení.

Účel použití

Stroj je určen k sečení trávy.

Hlučnost

Typická vážená hladina hluku (A) určená podle normy EN60335-2-77:

Model DLM382

Hladina akustického tlaku (L_{pA}): 81 dB(A)
Hladina akustického výkonu (L_{wA}): 91 dB (A)
Nejistota (K): 3 dB(A)

Model DLM432

Hladina akustického tlaku (L_{pA}): 81 dB(A)
Hladina akustického výkonu (L_{wA}): 92 dB (A)
Nejistota (K): 3 dB(A)

POZNÁMKA: Celková(é) hodnota(y) emisí hluku byla(y) změřena(y) v souladu se standardní zkušební metodou a dá se použít k porovnání nářadí mezi sebou.

POZNÁMKA: Hodnotu(y) deklarovaných emisí hluku lze také použít k předběžnému posouzení míry expozice vibracím.

VAROVÁNÍ: Použijte ochranu sluchu.

VAROVÁNÍ: Emise hluku se při používání elektrického nářadí ve skutečnosti mohou od deklarované(y) hodnot(y) lišit v závislosti na způsobech použití nářadí.

VAROVÁNÍ: Nezapomeňte stanovit bezpečnostní opatření na ochranu obsluhy podle odhadu expozice ve skutečných podmínkách použití. (Vezměte přitom v úvahu všechny části provozního cyklu, tj. kromě doby zátěže například doby, kdy je nářadí vypnuté a kdy běží naprázdno.)

Vibrace

Celková hodnota vibrací (vektorový součet tří os) určená podle normy EN60335-2-77:

Model DLM382

Emise vibrací (a_h): 2,5 m/s² nebo méně
Nejistota (K): 2,0 m/s²

Model DLM432

Emise vibrací (a_h): 2,5 m/s² nebo méně
Nejistota (K): 1,5 m/s²

POZNÁMKA: Celková(é) hodnota(y) deklarovaných vibrací byla(y) změřena(y) v souladu se standardní zkušební metodou a dá se použít k porovnání nářadí mezi sebou.

POZNÁMKA: Celkovou(é) hodnotu(y) deklarovaných vibrací lze také použít k předběžnému posouzení míry expozice vibracím.

VAROVÁNÍ: Emise vibrací se při používání elektrického nářadí ve skutečnosti mohou od deklarované(y) hodnot(y) lišit v závislosti na způsobech použití nářadí.

VAROVÁNÍ: Nezapomeňte stanovit bezpečnostní opatření na ochranu obsluhy podle odhadu expozice ve skutečných podmínkách použití. (Vezměte přitom v úvahu všechny části provozního cyklu, tj. kromě doby zátěže například doby, kdy je nářadí vypnuté a kdy běží naprázdno.)

Prohlášení ES o shodě

Pouze pro evropské země

Prohlášení ES o shodě je obsaženo v Příloze A tohoto návodu k obsluze.

BEZPEČNOSTNÍ VÝSTRAHY

DŮLEŽITÉ BEZPEČNOSTNÍ POKYNY

VAROVÁNÍ: Přečtěte si veškerá bezpečnostní upozornění a všechny pokyny. Zanedbání upozornění a pokynů může mít za následek úraz elektrickým proudem, vznik požáru nebo vážné zranění.

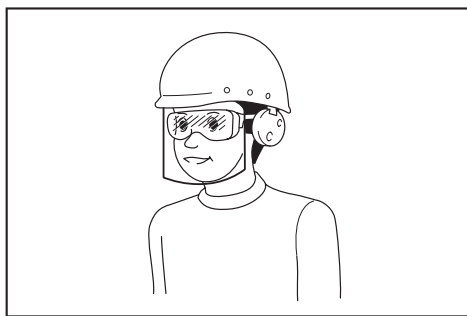
Všechna upozornění a pokyny si uschovejte pro budoucí potřebu.

Školení

1. Pečlivě si přečtěte pokyny. Seznamte se řádně s ovládacími prvky a správným způsobem použití sekačky.
2. Nikdy nedovolte, aby sekačku obsluhovaly děti nebo osoby neobeznámené s těmito pokyny. Věk obsluhy může být omezen místními předpisy.
3. Se sekačkou nikdy nepracujte v blízkosti osob, zvláště pak dětí, ani domácích zvířat.
4. Pamatujte, že za nehody nebo ohrožení jiných osob a jejich majetku odpovídá obsluha či uživatel.
5. Děti musí být pod dohledem, aby si se sekačkou nehrály.
6. Fyzický stav: Se sekačkou nepracujte pod vlivem omamných látek, alkoholu či léků.

Příprava

1. Při obsluze sekačky vždy noste pevnou obuv a dlouhé kalhoty. Se sekačkou nepracujte naboso ani v otevřené obuvi. Nenoste volný oděv a šperky ani oděv či šperky s visícími třásněmi či šňůrkami. Mohlo by dojít k zachycení pohyblivými díly.
2. Před použitím vždy sekačku zrakem zkontrolujte, zda není poškozena, případně zda nechybí či nejsou poškozeny kryty a štíty.
3. Před sekáním se ujistěte, že se v oblasti nepohybují žádné osoby. Jestliže do pracovní oblasti někdo vstoupí, sekačku vypněte.
4. Do sekačky nevkládejte blokovací klíč, dokud nebude připravena k použití.
5. Při používání elektrického nářadí vždy noste ochranné brýle určené k ochraně zraku. Ochranné brýle musí splňovat požadavky normy ANSI Z87.1 v USA, EN 166 v Evropě nebo AS/NZS 1336 v Austrálii a na Novém Zélandu. V Austrálii a na Novém Zélandu je dle zákona též nutné nosit obličejový štít chránící obličej.



Za vynucení používání vhodných ochranných pracovních prostředků obsluhou nářadí či jinými osobami v bezprostřední blízkosti pracoviště odpovídá zaměstnavatel.

6. Před zahájením provozu pečlivě zkontrolujte nože nebo šrouby nožů, zda nevykazují známky trhlin nebo poškození. Popraskané nebo poškozené nože nebo šrouby nožů okamžitě vyměňte.
7. Před sekáním odstraňte z terénu cizorodé předměty, jako jsou kameny, dráty, lahve, kosti a větší klacky, abyste zamezili zranění osob či poškození sekačky.
8. Předměty odmrštěné nožem sekačky mohou způsobit vážná zranění. Před každým sekáním je vždy třeba trávník pečlivě prohlédnout a odstranit z něj veškeré předměty.
9. Dávejte pozor na díry, vyjeté stopy, hrboly, kameny nebo jiné těžko viditelné předměty. Nerovný terén může způsobit uklouznutí a pád. Vysoká tráva může skrývat překážky.

Obsluha

1. Nepřeceňujte vlastní schopnosti. Vždy udržujte rovnováhu. Při práci ve svahu vždy dávejte pozor, kam šlapete. Kráčejte – nikdy neběhejte.
2. Vypněte sekačku, vyjměte blokovací klíč a ujistěte se, že se všechny pohyblivé díly zcela zastavily:
 - kdykoli se od sekačky vzdálíte,
 - před odstraňováním překážek nebo při čištění ucpaného vyhazovacího kanálu,
 - před kontrolou, čištěním či prováděním prací na sekačce,
 - po nárazu na předmět. Sekačku zkontrolujte, zda není poškozená, a před opětovným spuštěním a obnovením práce proveďte opravu,
 - kdykoli začne sekačka neobvykle vibrovat.
3. Nikdy nepracujte se sekačkou s vadnými kryty či štíty nebo s chybějícími bezpečnostními prvky, například bez krytu vyhazovacího kanálu nebo bez koše na trávu.
4. Se sekačkou nepracujte za nepříznivého počasí, zvláště existuje-li nebezpečí bouřek.
5. Při každé práci se sekačkou používejte ochranu zraku a pevnou obuv.
6. Se sekačkou pracujte pouze za denního světla nebo při dostatečném umělém osvětlení.
7. Sekačku startujte opatrně podle pokynů a s nohama v dostatečné vzdálenosti od nože (nožů).

8. Dejte pozor, abyste si o sekací nože neporanili ruce a nohy.
9. Zajistěte, aby ventilační otvory zůstaly vždy průchodné a neucpané.
10. Sekejte po vrstevnicích svahu, nikdy nahoru a dolů. Při změně směru ve svahu buďte mimořádně opatrní. Nesekejte v příliš strmých svazích.
11. Při couvání či tahání sekačky směrem k sobě buďte mimořádně opatrní.
12. Při nutnosti naklonění sekačky z důvodu přeježdění jiných než travnatých ploch a při transportu sekačky na pracoviště a z pracoviště vypněte pohon nože (nožů).
13. Při zapínání motoru sekačku nenaklánějte s výjimkou případu, kdy je naklonění sekačky při spouštění nutností. V takové situaci sekačku nenaklánějte více, než je nezbytně nutné, a nadzvedněte pouze část směrem od obsluhy. Ujistěte se, že před vrácením sekačky na zem jsou obě ruce v provozní poloze.
14. Ruce ani nohy nepřibližujte do blízkosti rotujících dílů nebo pod ně. Vždy se držte mimo dosah vyhazovacího kanálu.
15. Sekačku netransportujte, pokud je spuštěná.
16. Se sekačkou nepracujte v mokré trávě.
17. Se sekačkou nikdy nepracujte v dešti.
18. Držadlo držte vždy pevně.
19. Při zvedání či přidržování sekačku nikdy nedržte za odkryté části sekacího nože či jeho ostří.
20. Nepřibližujte ruce ani nohy k rotujícím nožům. Varování: Nože po vypnutí sekačky dobíhají.
21. Pokud si během provozu povšimnete něčeho neobvyklého, okamžitě přerušte práci. Vypněte sekačku a vyjměte blokovací klíč. Poté sekačku prohlédněte.
22. Nikdy neseřizujte výšku sečení, je-li sekačka v provozu, pokud je sekačka vybavena funkcí seřizení výšky sečení.
23. Před přeježděním příjezdových cest, chodníků, silnic či šterkem pokrytých ploch uvolněte spínací páčku a počkejte, až se rotující nůž zastaví. Nezapomeňte také vytáhnout blokovací klíč vždy, když se od sekačky vzdálíte kvůli zvednutí či odstranění překážky nebo kvůli jakémukoli jinému důvodu, jenž by mohl odvádět vaši pozornost od práce.
24. Jestliže sekačka narazí na předmět, postupujte následovně:
 - Vypněte sekačku, uvolněte spínací páčku a vyčkejte, až se nůž zcela zastaví.
 - Vytáhněte blokovací klíč a akumulátor.
 - Sekačku důkladně prohlédněte, zda není poškozená.
 - Pokud došlo k jakémukoli poškození nože, vyměňte jej. Před opětovným spuštěním a pokračováním v práci opravte poškozené části sekačky.
25. Sekačku nespouštějte, jestliže stojíte před otvorem vyhazovacího kanálu.
26. Jestliže sekačka začne neobvykle vibrovat (provedte okamžitou kontrolu):
 - zkontrolujte, zda nedošlo k poškození,

- vyměňte nebo opravte všechny poškozené díly,
 - zkontrolujte a dotáhněte všechny uvolněné díly.
27. **Materiál vycházející ze sekačky nesmí směřovat na osoby. Materiál vycházející ze sekačky nesmí být nasměrován proti zdi nebo jiným překážkám.** Mohlo by dojít k odrazu materiálu směrem k obsluze. Při přejíždění šterkovitých povrchů je nutné sekací nůž vypnout.
 28. **Netahujte sekačku směrem dozadu/k sobě, není-li to nezbytně nutné.** Musíte-li se sekačkou couvat směrem od plotu nebo jiné překážky, nejprve se podívejte dolů a za sebe.
 29. **Vypněte motor a počkejte, dokud se nůž úplně nezastaví. Teprve poté odeberte zachycovač trávy.** Dávejte pozor, protože nože po vypnutí stále ještě volně dobíhají.

Údržba a skladování

1. **V rámci zajištění bezpečnosti vyměňte opotřebené nebo poškozené díly. Používejte pouze originální náhradní díly a příslušenství.**
2. **Sekačku pravidelně kontrolujte a provádějte pravidelnou údržbu.**
3. **Není-li sekačka používána, musí být uchována mimo dosah dětí.**
4. **Všechny matice, šrouby a vrutky udržujte dotažené, abyste zajistili bezpečný provoz sekačky.**
5. **Často kontrolujte koš na trávu, zda není opotřebený či poškozený. Před uložením sekačky se vždy ujistěte, zda je koš na trávu vyprázdněný. Opotřebený koš na trávu nahradte z důvodu bezpečnosti novým.**
6. **Používejte pouze originální nože určené výrobcem v této příručce.**
7. **Při seřizování sekačky dejte pozor, aby nedošlo k zachycení prstů mezi pohyblivými noži a pevnými částmi sekačky.**
8. **Sekačku neoplachujte hadicí – zamezte vniknutí vody do motoru a elektrických připojení.**
9. **Pravidelně kontrolujte správné dotažení upevňovacího šroubu nože.**
10. **Před skladováním nechte sekačku vždy vychladnout.**
11. **Při údržbě nože dávejte pozor, neboť nůž se může pohybovat i přesto, že je zdroj napájení vypnutý.**
12. **Nikdy neodstraňujte ani neupravujte bezpečnostní prvky. Pravidelně kontrolujte jejich správnou funkci. Nedělejte nic, co by mohlo narušit zamýšlenou funkci bezpečnostního prvku nebo snížit úroveň ochrany, kterou poskytuje.**

Práce s akumulátorovým nářadím a péče o něj

1. **Nabíjení provádějte pouze pomocí nabíječky určené výrobcem.** Nabíječka vhodná pro jeden typ akumulátoru může při použití s jiným akumulátorem vést ke vzniku nebezpečí požáru.
2. **Elektrické nářadí používejte pouze s určenými akumulátory.** Použití jiných akumulátorů může vyvolat nebezpečí zranění a požáru.

3. **Pokud akumulátor nepoužíváte, udržujte jej mimo dosah jiných kovových předmětů, jako jsou kancelářské sponky, mince, klíče, hřebíky, šrouby nebo jiné malé kovové předměty, které mohou propojit svorky akumulátoru.** Zkratování svorek akumulátoru může způsobit popáleniny nebo požár.
4. **Při hrubém zacházení může z akumulátoru uniknout elektrolyt. Vyvarujte se styku s ním. Pokud dojde k náhodnému kontaktu, omyjte zasažené místo vodou. Pokud elektrolyt zasáhne oči, vyhledejte lékařskou pomoc.** Elektrolyt uniklý z akumulátoru může způsobit podráždění nebo popálení pokožky.
5. **Nepoužívejte poškozený nebo upravený akumulátor nebo nářadí.** U poškozených nebo upravených akumulátorů může dojít k neočekávanému chování, které může mít za následek požár, výbuch nebo riziko poranění.
6. **Akumulátor nebo nářadí nevystavujte ohni nebo vysokým teplotám.** Při vystavení žáru ohně nebo teplotám nad 130 °C může dojít k výbuchu.
7. **Postupujte dle nabíjecích pokynů a akumulátor nebo nářadí nenabíjejte mimo teplotní rozsah specifikovaný v pokynech.** Nesprávné nabíjení při teplotách mimo stanovený rozsah může poškodit akumulátor a zvýšit riziko požáru.

Elektrická bezpečnost a bezpečnost akumulátorů

1. **Akumulátor (akumulátory) nelikvidujte vzhazováním do ohně.** Články mohou vybuchnout. Při likvidaci postupujte podle místních předpisů, jež mohou zahrnovat zvláštní pokyny.
2. **Akumulátory neotevírejte a nepoškozujte.** Vypuštěný elektrolyt je žravý a může způsobit poranění očí nebo pokožky. Při spolknutí může být jedovatý.
3. **Nenabíjejte baterii v dešti nebo na mokřých místech.**
4. **Nenabíjejte akumulátor venku.**
5. **S nabíječkou, včetně zástrčky nabíječky a svorek, nemanipulujte mokřými rukama.**

Servis

1. **Vaše elektrické nářadí si nechávejte opravovat kvalifikovaným pracovníkem s použitím výhradně identických náhradních dílů.** Tím zajistíte zachování bezpečnosti elektrického nářadí.
2. **Akumulátory nikdy sami nespravujte.** Opravy akumulátorů smí provádět pouze výrobce nebo autorizovaná servisní střediska.

TYTO POKYNY USCHOVEJTE.

⚠VAROVÁNÍ: NEDOVOLTE, aby pohodlnost nebo pocit znalosti výrobku (získaný na základě předchozího použití) vedl k zanedbání dodržování bezpečnostních pravidel platných pro tento výrobek.

NESPRÁVNÉ POUŽÍVÁNÍ či nedodržení bezpečnostních pravidel uvedených v tomto návodu k obsluze může způsobit vážné zranění.

Důležitá bezpečnostní upozornění pro akumulátor

1. Před použitím akumulátoru si přečtěte všechny pokyny a varovné symboly na (1) nabíječce, (2) akumulátoru a (3) výrobku využívaným akumulátor.
2. Nerozebírejte akumulátor ani do něj nijak nezasahujte. Může dojít k požáru, nadměrnému zahřátí nebo výbuchu.
3. Pokud se přilíší zkrátí provozní doba akumulátoru, přerušete okamžitě práci. V opačném případě existuje riziko přehřívání, popálení nebo dokonce výbuchu.
4. Budou-li vaše oči zasaženy elektrolytem, vypláchněte je čistou vodou a okamžitě vyhledejte lékařskou pomoc. Může dojít ke ztrátě zraku.
5. Akumulátor nezkratujte:
 - (1) Nedotýkejte se svorek žádným vodivým materiálem.
 - (2) Neskladujte akumulátor v nádobě s jinými kovovými předměty, jako jsou hřebíky, mince, apod.
 - (3) Nevystavuje akumulátor vodě a dešti. Zkrat akumulátoru může způsobit velký průtok proudu, přehřátí, možné popálení a dokonce i poruchu.
6. Neskladujte a nepoužívejte nářadí a akumulátor na místech, kde může teplota překročit 50 °C (122 °F).
7. Nespalujte akumulátor, ani když je vážně poškozen nebo úplně opotřeben. Akumulátor může v ohni vybuchnout.
8. Akumulátor nesmí být proražen hřebíkem, řezán, drcen, házen či upuštěn na zem, ani nesmí dojít k nárazu tvrdého předmětu do něj. Taková situace může způsobit požár, nadměrné zahřátí či výbuch.
9. Nepoužívejte poškozené akumulátory.
10. Obsažené lithium-iontové akumulátory podléhají právním požadavkům na nebezpečné zboží. V případě komerční přepravy například externími dopravci je třeba dodržet zvláštní požadavky na balení a značení.

Pro přípravu zboží k přepravě je nutná konzultace s odborníkem na nebezpečný materiál. Dodržujte také případné podrobnější národní předpisy. Odkryté kontakty přelepte izolační páskou či jinak zakryjte a akumulátory zabalte tak, aby se v balení nemohly pohybovat.
11. Při likvidaci akumulátoru jej vyjměte z nářadí a zlikvidujte jej na bezpečném místě. Při likvidaci akumulátoru postupujte podle místních předpisů.
12. Akumulátor používejte pouze s výrobky specifikovanými společností Makita. Instalace akumulátoru do nevyhovujících výrobků může způsobit požár, nadměrné zahřívání, explozi nebo únik elektrolytu.
13. Pokud nářadí delší dobu nepoužíváte, je nutné z něj akumulátor vyjmout.
14. Během a po použití se může akumulátor zahřát, což může způsobit popáleniny nebo podráždění. Při manipulaci s horkými akumulátory dávejte pozor.

15. Nedotýkejte se koncovky na nářadí ihned po použití, protože ta může být horká a způsobit popáleniny.
16. Do koncovek, otvorů a zdiřek na akumulátoru se nesmí dostat piliny, prach nebo jiné nečistoty. Mohlo by tím dojít ke zhoršení výkonu nebo poruše nářadí či akumulátoru.
17. Jestliže nářadí není zkonstruováno tak, že jej lze používat v blízkosti vysokého elektrického napětí, nepoužívejte akumulátor poblíž vedení s vysokým elektrickým napětím. Mohlo by tím dojít k poruše či selhání nářadí či akumulátoru.
18. Akumulátor uchovávejte mimo dosah dětí.

TYTO POKYNY USCHOVEJTE.

▲UPOZORNĚNÍ: Používejte pouze originální akumulátory Makita. Používání neoriginálních nebo upravených akumulátorů může způsobit explozi akumulátoru a následný požár, zranění a jiné poškození. Zaniká tím také záruka společnosti Makita na nářadí a nabíječku Makita.

Tipy k zajištění maximální životnosti akumulátoru

1. Akumulátor nabíjte dříve, než dojde k jeho úplnému vybití. Pokud si povšimnete sníženého výkonu nářadí, vždy jej zastavte a dobijte akumulátor.
2. Nikdy nenabíjejte úplně nabitý akumulátor. Přebíjení zkracuje životnost akumulátoru.
3. Akumulátor dobíjejte při pokojové teplotě od 10 °C do 40 °C (50 °F až 104 °F). Před nabíjením nechejte horký akumulátor zchladnout.
4. Když není akumulátor používán, vyjměte ho z nářadí či nabíječky.
5. Pokud se akumulátor delší dobu nepoužívá (déle než šest měsíců), je nutno jej dobít.

SESTAVENÍ

▲VAROVÁNÍ: Před prováděním jakýchkoli prací na sekačce se vždy ujistěte, že je vytažen blokovací klíč a akumulátor. Jestliže blokovací klíč a akumulátor nevyjmete, může v případě náhodného spuštění dojít k vážnému zranění.

▲VAROVÁNÍ: Není-li sekačka zcela sestavena, nikdy ji nespouštějte. Při práci s nekompletně sestaveným strojem může po náhodném spuštění dojít k vážnému zranění.

Nasazení krytu akumulátoru

▲VAROVÁNÍ: Před instalací krytu akumulátoru nevkládejte blokovací klíč ani akumulátor. Při nedodržení tohoto pokynu může dojít k vážnému zranění.

Před spuštěním řádně namontujte kryt akumulátoru. Kryt akumulátoru slouží jako ochrana sekačky a akumulátoru před znečištěním hlinou, nečistotami a vodou.

1. Kryt akumulátoru umístíte tak, aby byly výstupky na sekačce zarovnané s otvory na krytu akumulátoru.

► **Obr.1:** 1. Výstupek 2. Otvor 3. Kryt akumulátoru

2. Položte ruce na střední část krytu akumulátoru a zatlačte na něj.

► **Obr.2**

3. Před prvním spuštěním zkontrolujte, zda je závěs krytu akumulátoru správně připevněn. Pokud je kryt akumulátoru namontován správně, nemůže se otevřít, dokud není vytažena zajišťovací páčka krytu akumulátoru.

► **Obr.3:** 1. Závěs 2. Zajišťovací páčka krytu akumulátoru

Montáž držadla

POZOR: Při instalaci držadel umístíte kabely tak, aby se o něco mezi držadly nezachytily. Pokud je kabel poškozený, může se stát, že spínač nebude funkční.

1. Zasuňte oba konce dolního držadla do drážek a pevně dotáhněte upínací šrouby.

► **Obr.4:** 1. Upínací šroub 2. Dolní držadlo

2. Zarovnejte otvory pro šrouby horního a dolního držadla. Zajistěte je upínacími šrouby a maticemi.

► **Obr.5:** 1. Upínací matice 2. Upínací šroub

POZNÁMKA: Držte pevně horní držadlo tak, aby vám nevypadlo z ruky.

3. Připevněte držáky k držadlu. Umístěte napájecí kabel podle obrázku.

► **Obr.6:** 1. Držák

Odpojení mulčovacího nástavce

Volitelné příslušenství

1. Otevřete zadní kryt.

► **Obr.7:** 1. Zadní kryt

2. Podržte mulčovací nástavec za držadlo a poté ho vytáhněte z těla sekačky tak, jak je vidět na obrázku.

► **Obr.8:** 1. Mulčovací nástavec 2. Držadlo

Nasazení koše na trávu

1. Otevřete zadní kryt.

► **Obr.9:** 1. Zadní kryt

2. Koš na trávu zahákněte do tyče na těle sekačky podle obrázku.

► **Obr.10:** 1. Háček 2. Tyč 3. Koš na trávu

Připojení mulčovacího nástavce

Volitelné příslušenství

1. Otevřete zadní kryt a poté vyjměte koš na trávu.

► **Obr.11:** 1. Zadní kryt 2. Koš na trávu

2. Podržte mulčovací nástavec za držadlo a poté ho připevněte k tělu sekačky tak, jak je vidět na obrázku.

► **Obr.12:** 1. Mulčovací nástavec 2. Držadlo

POPIS FUNKCÍ

Nasazení a sejmutí akumulátoru

▲ UPOZORNĚNÍ: Před instalací nebo vyjmutím akumulátoru vždy vypněte stroj.

▲ UPOZORNĚNÍ: Před použitím se ujistěte, že je kryt akumulátoru zajištěn. Jinak by mohlo dojít ke znečištění hlínou, nečistotami či vodou a následnému poškození výrobku nebo akumulátoru.

▲ UPOZORNĚNÍ: Akumulátor zasunujte vždy zcela tak, aby nebyl červený indikátor vidět.

Pokud tak neučiníte, může ze stroje náhodně vypadnout, čímž může vám nebo osobám ve vašem okolí způsobit zranění.

▲ UPOZORNĚNÍ: Akumulátor nenasazujte násilím. Nelze-li akumulátor zasunout snadno, nevkládáte jej správně.

POZNÁMKA: Stroj jen s jedním nasazeným akumulátorem nepracuje.

Instalace akumulátoru:

1. Posuňte zajišťovací páčku krytu akumulátoru a otevřete kryt akumulátoru.

► **Obr.13:** 1. Kryt akumulátoru 2. Zajišťovací páčka krytu akumulátoru

2. Zarovnejte jazýček na akumulátoru s drážkou na sekačce a poté zasuňte akumulátor na doraz, až zacvakne na místo.

► **Obr.14:** 1. Akumulátor

3. Do místa zobrazeného na obrázku zasuňte až na doraz blokovací klíč.

► **Obr.15:** 1. Blokovací klíč

4. Zavřete kryt akumulátoru a zatlačte jej na místo, až se zajistí zajišťovací páčkou.

Vyjmutí akumulátoru ze sekačky:

1. Posuňte zajišťovací páčku krytu akumulátoru a otevřete kryt akumulátoru.

2. Vytáhněte akumulátor ze sekačky při současném přesunutí tlačítka na přední straně akumulátoru.

3. Vytáhněte blokovací klíč.

4. Zavřete kryt akumulátoru.

Systém ochrany stroje a akumulátoru

Stroj je vybaven systémem ochrany stroje a akumulátoru. Tento systém automaticky přeruší napájení motoru, aby se prodloužila životnost nářadí a akumulátoru. Budou-li stroj nebo akumulátor vystaveny některé z níže uvedených podmínek, stroj se během provozu automaticky zastaví.

Ochrana proti přetížení

Pokud se strojem pracujete způsobem, který zapříčiní mimořádně vysoký odběr proudu, stroj se automaticky a bez jakékoli signalizace zastaví. V takové situaci vypněte a ukončete činnost, při níž došlo k přetížení zařízení. Potom stroj zapněte a obnovte činnost.

Ochrana proti přehřátí

Když se stroj přehřeje, automaticky se zastaví. Před opětovným zapnutím nechejte stroj vychladnout.

Ochrana proti přílišnému vybití

V případě nízké zbývajících kapacity akumulátoru se stroj automaticky zastaví. Jestliže produkt při ovládní přepínači nepracuje, vyjměte ze stroje akumulátory a nabijte je.

Indikace zbývajících kapacity akumulátoru

► **Obr.16:** 1. Kontrolka akumulátoru












Při nízké zbývajících kapacitě akumulátoru začne kontrolka na příslušné straně blikat. V případě dalšího používání se stroj zastaví a kontrolka akumulátoru bude asi 10 sekund svítit. V takovém případě dobijte akumulátor.

Indikace zbývajících kapacity akumulátoru

Pouze pro akumulátory s diodovým ukazatelem

► **Obr.17:** 1. Kontrolky 2. Tlačítko kontroly

Stisknutím tlačítka kontroly na akumulátoru zjistíte zbývajících kapacitu akumulátoru. Kontrolky indikátoru se na několik sekund rozsvítí.

Kontrolky			Zbývajících kapacita
 Svítí	 Nesvítí	 Bliká	
			75 % až 100 %
			50 % až 75 %
			25 % až 50 %
			0 % až 25 %
			Nabijte akumulátor.
	 ↑ ↓ 		Došlo pravděpodobně k poruše akumulátoru.

POZNÁMKA: Kapacita udávaná indikátorem se může mírně lišit od skutečné kapacity v závislosti na podmínkách používání a teplotě prostředí.

Používání pouště

VAROVÁNÍ: Před nainstalováním akumulátoru vždy zkontrolujte, zda spínací páčka správně funguje a zda se po uvolnění vrací do původní polohy. Práce se strojem bez správně fungujícího spínače může vést ke ztrátě kontroly a vážnému zranění.

POZNÁMKA: Bez stisknutí spínacího tlačítka se sekačka nespustí ani při zatažení za spínací páčku.

POZNÁMKA: Sekačka se nemusí z důvodu přetížení spustit, když se pokoušíte sekat vysokou nebo hustou travu. V takovém případě zvyšte výšku sečení.

Sekačka je vybavena bezpečnostním spínačem a držadlem se spínačem. Jestliže u některého ze spínačů zpozorujete něco neobvyklého, okamžitě přeručte práci a spínače nechte zkontrolovat v nejbližším autorizovaném servisním středisku Makita.

1. Nainstalujte akumulátory. Do bezpečnostního spínače zasuňte blokovací klíč a pak zavřete kryt akumulátoru.

► **Obr.18:** 1. Akumulátor 2. Blokovací klíč

2. Stiskněte spínací tlačítko a podržte je.

3. Uchopte horní držadlo a zatáhněte za spínací páčku.

► **Obr.19:** 1. Spínací tlačítko 2. Spínací páčka

4. Hned po spuštění motoru spínací tlačítko uvolněte. Sekačka zůstane zapnutá až do chvíle, kdy uvolníte spínací páčku.

5. Chcete-li motor vypnout, uvolněte spínací páčku.

Nastavení výšky sečení

VAROVÁNÍ: Při nastavování výšky sečení nikdy nevkládejte ruce či nohy pod sekačku.

VAROVÁNÍ: Před zahájením práce se vždy ujistěte, zda páčka správně dosedla do příslušné drážky.

Výšku sečení lze nastavit v rozmezí od 20 mm do 75 mm.

1. Vytáhněte blokovací klíč.

2. Přitáhněte páčku nastavení výšky sečení směrem od sekačky a přesuňte ji do požadované úrovně výšky sečení.

► **Obr.20:** 1. Páčka nastavení výšky sečení

POZNÁMKA: Obrázky s výškou sečení používejte pouze jako vodítko. Skutečná výška trávníku se může mírně lišit od nastavené výšky v závislosti na stavu trávníku a půdy.

POZNÁMKA: K dosažení požadované výšky vyzkoušejte sečení na odlehlejší ploše.

Indikátor úrovně trávy

► **Obr.21:** 1. Indikátor úrovně trávy

Indikátor úrovně trávy představuje objem posekané trávy.

- Jestliže není koš na trávu naplněný, indikátor se při sekání pohybuje.
- Pokud je koš na trávu naplněný, indikátor se při sekání nepohybuje. V takovém případě ihned přestaňte sekat a koš vyprázdněte. Po vyprázdnění koše jej vyčistěte, aby mohl síťovinou proudit vzduch.

POZNÁMKA: Indikátor je jen hrubým ukazatelem. V závislosti na podmínkách uvnitř koše nemusí indikátor fungovat správně.

Použití mulčovacího nástavce

Volitelné příslušenství

Mulčovací nástavec vám umožňuje vracet posekanou trávu zpět na zem, aniž by byla sbírána do koše na trávu. Když používáte stroj s mulčovacím nástavcem, nezapomeňte odpojit koš na trávu.

POZOR: Stroj s připojeným mulčovacím nástavcem používejte jen tehdy, když je výška trávy po sekání 30 mm nebo více, a případně délka sekání 15 mm nebo méně.

► Obr.22: (1) 30 mm nebo více (2) 15 mm nebo méně

PRÁCE S NÁŘADÍM

Sekání

VAROVÁNÍ: Před sekáním odstraňte ze sekané plochy větve a kameny. Ze sekané plochy také předem odstraňte plevel.

VAROVÁNÍ: Při práci se sekačkou vždy noste ochranné brýle nebo bezpečnostní brýle s postranními kryty.

UPOZORNĚNÍ: Jestliže vnitřek sekačky blokuje posekaná tráva nebo cizí předmět, vytáhněte blokovací klíč a vyjměte akumulátor a před vyjímáním trávy nebo cizího předmětu si vezměte rukavice.

POZOR: Stroj používejte pouze k sekání trávy. Nepoužívejte stroj k vyžínání plevelu.

► Obr.23

Při sekání pevně chytte držadlo oběma rukama. Doporučená rychlost sekání je zhruba 1 metr za 4 sekundy.

► Obr.24

Vnější hrany předních kol jsou vodítka pro šířku sekání. Za pomoci vnější hran předních kol jako vodítek sekejte v pravidelných pruzích. Chcete-li rovný trávník, překryjte předchozí pruh o jednu polovinu až třetinu.

► Obr.25: 1. Šířka sekání 2. Oblast překrytí 3. Vnější hrana

Aby nedocházelo k vytváření vzorců na trávníku, měňte pokaždé směr sekání.

► Obr.26

Často kontrolujte množství posekané trávy v koši na trávu. Koš na trávu vyprázdněte, než se zcela zaplní. Před prováděním pravidelné kontroly vypněte sekačku, vytáhněte blokovací klíč a vyjměte akumulátor.

POZOR: Používání sekačky se zaplněným košem na trávu zamezuje plynulému otáčení nože a vystavuje motor nadměrnému zatížení, jež může vyvolat poruchu.

Sekání vysoké trávy

Vysokou trávu se nepokoušejte sekat najednou. Místo toho sekejte trávu postupně. Mezi sečením vyčkejte den nebo dva, dokud není tráva rovnoměrně krátká.

POZNÁMKA: Posekání vysoké trávy na nízkou výšku najednou může způsobit odumření trávy. Posečená tráva se také může uvnitř hlavy jednotky zablokovat.

Vyprázdnění koše na trávu

VAROVÁNÍ: V rámci zamezení nebezpečí nehody koš na trávu pravidelně kontrolujte, zda není poškozený či zeslabený. V případě potřeby koš na trávu vyměňte.

1. Uvolněte spínací páčku.
 2. Vytáhněte blokovací klíč.
 3. Otevřete zadní kryt a koš na trávu vytáhněte za rukojeť.
- Obr.27: 1. Zadní kryt 2. Držadlo
4. Koš na trávu vyprázdněte.

ÚDRŽBA

VAROVÁNÍ: Před uskladněním, přenášením či prováděním kontroly či údržby sekačky se vždy ujistěte, zda je ze sekačky vytažen blokovací klíč a akumulátor.

VAROVÁNÍ: Pokud sekačku nepoužíváte, vždy vytáhněte blokovací klíč. Blokovací klíč uložte na bezpečné místo mimo dosah dětí.

VAROVÁNÍ: Při provádění kontroly či údržby používejte ochranné rukavice.

VAROVÁNÍ: Při kontrole nebo údržbě sekačky vždy noste ochranné brýle nebo bezpečnostní brýle s postranními kryty.

POZOR: Nikdy nepoužívejte benzín, benzen, ředidlo, alkohol či podobné prostředky. Mohlo by tak dojít ke změnám barvy, deformacím či vzniku prasklin.

K zachování BEZPEČNOSTI a SPOLEHLIVOSTI výrobku musí být opravy a veškerá další údržba či seřizování prováděny autorizovanými nebo továrními servisními středisky společnosti Makita s využitím náhradních dílů Makita.

Údržba

1. Vytáhněte blokovací klíč. Uložte jej na bezpečné místo mimo dosah dětí.
2. Sekačku vyčistěte pomocí vlhkého hadříku. Při čištění na sekačku nestříkejte vodu ani ji nepolévejte.
3. Sekačku položte na bok a odstraňte kusky trávy nahromaděné na spodní části krytu sekačky.
4. Zkontrolujte správné dotažení všech matic, šroubů, knoflíků, vrutů, upevňovacích součástek atd.
5. Zkontrolujte pohyblivé díly, zda nejsou poškozené, rozbité či opotřebené. Poškozené nebo chybějící díly je nutné opravit nebo vyměnit.

Skladování

VAROVÁNÍ: Při přenášení či uskladňování sekačky **nedržte za sklopená držadla, ale za přední rukojeť.** Při uchopení za sklopená držadla může dojít k vážnému zranění či poškození sekačky.

Před uskladněním sekačky z ní vyjměte akumulátor a blokovací klíč.

Sekačku skladujte pod střešou na chladném, suchém a uzamykatelném místě. Sekačku a nabíječku neskladujte v místech, kde může teplota překročit hodnotu 40 °C.

► **Obr.28:** 1. Přední rukojeť 2. Zadní rukojeť

1. Povolte upínací šrouby a roztáhněte dolní držadlo do stran. Posuňte držadlo dolů směrem dopředu. V tuto chvíli dolní držadlo pevně přidržíte, aby vám nespadlo na vzdálenou stranu od sekačky.

► **Obr.29:** 1. Upínací šroub 2. Dolní držadlo

2. Povolte upínací matice a otáčejte horním držadlem zpět při současném roztahování držadla do stran.

► **Obr.30:** 1. Upínací matice 2. Horní držadlo

3. Koš na trávu uložte mezi držadlo a tělo sekačky.

► **Obr.31:** 1. Koš na trávu

POZNÁMKA: Při ukládání sekačky do svislé polohy ji **nedržte za držadla – použijte čelní držadlo sekačky.**

Demontáž a instalace sekacího nože

VAROVÁNÍ: Při demontáži či montáži nože **vždy vytáhněte blokovací klíč a akumulátor.** Jestliže blokovací klíč s akumulátorem nevyjmete, může dojít k vážnému zranění.

VAROVÁNÍ: Nůž se po uvolnění spínače ještě několik sekund otáčí. **Neprovádějte žádné úkony, dokud se nůž zcela nezastaví.**

VAROVÁNÍ: Při manipulaci s nožem **vždy používejte rukavice.**

Demontáž sekacího nože

Pro model DLM382

1. Sekačku položte na bok, aby byla páčka nastavení výšky sečení přístupná z horní strany.

2. Rotaci nože zastavíte vsunutím šroubováku nebo podobného nástroje do otvoru na těle sekačky.

3. Klíčem pak otočte šroubem proti směru hodinových ručiček.

► **Obr.32:** 1. Sekací nůž 2. Šroubovák 3. Klíč

4. Vyjměte postupně šroub a sekací nůž.

► **Obr.33:** 1. Podpěra nože 2. Sekací nůž 3. Šroub

Pro model DLM432

1. Sekačku položte na bok, aby byla páčka nastavení výšky sečení přístupná z horní strany.

2. Rotaci nože zastavíte vsunutím šroubováku nebo podobného nástroje do otvoru na těle sekačky.

3. Klíčem pak otočte šroubem proti směru hodinových ručiček.

► **Obr.34:** 1. Sekací nůž 2. Šroubovák 3. Klíč

4. Postupně vyjměte šroub, vnější přírubu, sekací nůž a vnitřní přírubu.

► **Obr.35:** 1. Vnitřní příruba 2. Sekací nůž 3. Vnější příruba 4. Šroub

Montáž sekacího nože

Při instalaci sekacího nože použijte opačný postup demontáže.

VAROVÁNÍ: Opatrně nainstalujte sekací nůž. Nůž má vrchní a spodní stranu. **Umístěte nůž tak, aby šipka směru otáčení směřovala ven.**

VAROVÁNÍ: Pevným dotažením šroubu ve směru hodinových ručiček nůž zajistěte.

VAROVÁNÍ: Ujistěte se, že sekací nůž a všechny upevňovací díly jsou správně nainstalované a pevně utažené.

VAROVÁNÍ: Při výměně nožů **vždy postupujte podle pokynů uvedených v této příručce.**

ŘEŠENÍ POTÍŽÍ

Před žádostí o opravu proveďte nejprve prohlídku sami. Narazíte-li na problém, jenž v této příručce není vysvětlen, nepouštějte se do demontáže zařízení. Požádejte o pomoc některé z autorizovaných servisních středisek Makita, kde k opravám vždy používají náhradní díly Makita.

Problém	Pravděpodobná příčina (porucha)	Náprava
Sekačka se nespustí.	Nejsou nainstalovány dva akumulátory.	Nainstalujte nabité akumulátory.
	Problém s akumulátorem (nízké napětí)	Nabijte akumulátor. Jestliže nabití nepomůže, vyměňte akumulátor.
	Není zasunut blokovací klíč.	Zasuňte blokovací klíč.
Motor se po krátké době provozu zastaví.	Akumulátor není dostatečně nabitý.	Nabijte akumulátor. Jestliže nabití nepomůže, vyměňte akumulátor.
	Výška sečení je nastavena příliš nízko.	Zdvihněte výšku sečení.
Motor nedosahuje maximálních otáček.	Akumulátor je nesprávně nasazen.	Nainstalujte akumulátor podle popisu v této příručce.
	Poklesl výkon akumulátoru.	Nabijte akumulátor. Jestliže nabití nepomůže, vyměňte akumulátor.
	Systém pohonu nepracuje správně.	Předejte zařízení k opravě v místním autorizovaném servisním středisku.
Sekací nůž se neotáčí: ⇒ Sekačku ihned vypněte!	V blízkosti nože se vzpříčil cizorodý předmět, například větev.	Odstraňte cizorodý předmět.
	Systém pohonu nepracuje správně.	Předejte zařízení k opravě v místním autorizovaném servisním středisku.
Nenormální vibrace: ⇒ Sekačku ihned vypněte!	Nůž je nevyvážený, příliš opotřebený nebo nerovnoměrně opotřebený.	Vyměňte nůž.

VOLITELNÉ PŘÍSLUŠENSTVÍ

⚠ UPOZORNĚNÍ: Pro nářadí Makita popsané v tomto návodu doporučujeme používat následující příslušenství a nástavce. Při použití jiného příslušenství či nástavců může hrozit nebezpečí zranění osob. Příslušenství lze používat pouze pro stanovené účely.

Potřebujete-li bližší informace ohledně tohoto příslušenství, obraťte se na místní servisní středisko společnosti Makita.

- Sekací nůž
- Mulčovací nástavec
- Originální akumulátor a nabíječka Makita

POZNÁMKA: Některé položky seznamu mohou být k nářadí přibaleny jako standardní příslušenství. Přibalené příslušenství se může v různých zemích lišit.

ТЕХНІЧНІ ХАРАКТЕРИСТИКИ

Модель:		DLM382	DLM432
Ширина косіння (діаметр ріжучого полотна)		380 мм	430 мм
Швидкість у режимі холостого ходу		3 700 хв ⁻¹	3 600 хв ⁻¹
Змінне ріжуче полотно газонокосарки, номер деталі		191D41-2	191D43-8
Розміри (Д × Ш × В)	під час роботи	Д: от 1 380 мм до 1 410 мм Ш: 450 мм В: от 985 мм до 1 005 мм	Д: від 1 435 мм до 1 490 мм Ш: 460 мм В: від 1 005 мм до 1 045 мм
	у положенні для зберігання (без корзини для трави)	860 мм × 450 мм × 475 мм	865 мм × 460 мм × 475 мм
Номінальна напруга		36 В пост. струму	
Маса нетто		15,0 – 16,5 кг	15,4 – 17,1 кг

- Оскільки наша програма наукових досліджень і розробок триває безперервно, наведені тут технічні характеристики можуть бути змінені без попередження.
- У різних країнах технічні характеристики можуть бути різними.
- Вага може відрізнятись залежно від допоміжного обладнання, наприклад касети з акумулятором. Найлегші та найважчі комплекти, відповідно до стандарту ЕРТА (Європейська асоціація виробників електроінструменту) від січня 01/2014 року, представлено в таблиці.

Застосовна касета з акумулятором і зарядний пристрій

Касета з акумулятором	BL1815N / BL1820 / BL1820B / BL1830 / BL1830B / BL1840 / BL1840B / BL1850 / BL1850B / BL1860B
Зарядний пристрій	DC18RC / DC18RD / DC18RE / DC18SD / DC18SE / DC18SF / DC18SH


- Деякі касети з акумулятором і зарядні пристрої, які вказано вище, можуть бути недоступними залежно від вашого регіону або місця перебування.


⚠ ПОПЕРЕДЖЕННЯ: Використовуйте лише касети з акумулятором і зарядні пристрої, перелічені вище. Використання будь-яких інших касет з акумулятором і зарядних пристроїв може призвести до травмування й/або пожежі.


⚠ ПОПЕРЕДЖЕННЯ: Не використовуйте із цією машиною дротове джерело електроживлення, наприклад адаптер акумулятора або портативний блок живлення. Кабель цього джерела електроживлення може перешкодити роботі й стати причиною травми.


СИМВОЛИ


Далі наведено символи, які можуть застосовуватися для позначення обладнання. Перед користуванням переконайтеся, що ви розумієте їхнє значення.

 Будьте особливо уважні та обережні!

 Читайте посібник з експлуатації.

 Небезпечно! Пам'ятайте, що предмети можуть відскочити.

 Відстань між інструментом і сторонніми особами повинна становити не менше 15 м.

 У жодному разі не наближайте руки та ноги до ріжучого полотна під газонокосаркою. Полотна продовжують обертатися після вимкнення двигуна.



Вийміть блокувальний ключ, перш ніж оглядати, налаштовувати, чистити і проводити технічне обслуговування інструмента, а також у тому випадку, якщо потрібно залишити газонокосарку без нагляду на деякий час або поставити її на зберігання.



Тільки для країн ЄС
Не викидайте електроприлади або акумуляторні батареї разом із побутовим сміттям!
Згідно з Європейськими директивами про утилізацію електричного та електронного обладнання та про утилізацію батарей і акумуляторів, термін служби яких закінчився, та їх використанням із дотриманням національних законів, електричне обладнання, батареї та акумулятори, термін служби яких закінчився, потрібно збирати окремо та відправляти на екологічно чисті підприємства з їхньої переробки.

Призначення

Машина призначена для косіння газонів.

Шум

Рівень шуму за шкалою А в типовому виконанні, визначений відповідно до стандарту EN60335-2-77:

Модель DLM382

Рівень звукового тиску (L_{pA}): 81 дБ (А)
Рівень звукової потужності (L_{WA}): 91 дБ (А)
Похибка (К): 3 дБ (А)

Модель DLM432

Рівень звукового тиску (L_{pA}): 81 дБ (А)
Рівень звукової потужності (L_{WA}): 92 дБ (А)
Похибка (К): 3 дБ (А)

ПРИМІТКА: Заявлене значення шуму було виміряно відповідно до стандартних методів тестування й може використовуватися для порівняння одного інструмента з іншим.

ПРИМІТКА: Заявлене значення шуму може також використовуватися для попереднього оцінювання впливу.

⚠ ПОПЕРЕДЖЕННЯ: Користуйтеся засобами захисту органів слуху.

⚠ ПОПЕРЕДЖЕННЯ: Залежно від умов використання рівень шуму під час фактичної роботи електроінструмента може відрізнятися від заявленого значення вібрації; особливо сильно на це впливає тип деталі, що оброблюється.

⚠ ПОПЕРЕДЖЕННЯ: Забезпечте належні запобіжні заходи для захисту оператора, що відповідатимуть умовам використання інструмента (слід брати до уваги всі складові робочого циклу, як-от час, коли інструмент вимкнено та коли він починає працювати на холостому ході під час запуску).

Вібрація

Загальна величина вібрації (векторна сума трьох напрямків) визначена згідно з EN60335-2-77:

Модель DLM382

Вібрація (a_n): 2,5 м/с² або менше
Похибка (К): 2,0 м/с²

Модель DLM432

Вібрація (a_n): 2,5 м/с² або менше
Похибка (К): 1,5 м/с²

ПРИМІТКА: Заявлене загальне значення вібрації було виміряно відповідно до стандартних методів тестування й може використовуватися для порівняння одного інструмента з іншим.

ПРИМІТКА: Заявлене загальне значення вібрації може також використовуватися для попереднього оцінювання впливу.

⚠ ПОПЕРЕДЖЕННЯ: Залежно від умов використання вібрація під час фактичної роботи електроінструмента може відрізнятися від заявленого значення вібрації; особливо сильно на це впливає тип деталі, що оброблюється.

⚠ ПОПЕРЕДЖЕННЯ: Забезпечте належні запобіжні заходи для захисту оператора, що відповідатимуть умовам використання інструмента (слід брати до уваги всі складові робочого циклу, як-от час, коли інструмент вимкнено та коли він починає працювати на холостому ході під час запуску).

Декларація про відповідність стандартам ЄС

Тільки для країн Європи

Декларацію про відповідність стандартам ЄС наведено в Додатку А до цієї інструкції з експлуатації.

ПОПЕРЕДЖЕННЯ ПРО ДОТРИМАННЯ ТЕХНІКИ БЕЗПЕКИ

ВАЖЛИВІ ІНСТРУКЦІЇ З ТЕХНІКИ БЕЗПЕКИ

⚠ ПОПЕРЕДЖЕННЯ: Прочитайте усі застереження стосовно техніки безпеки та всі інструкції. Недотримання попереджень та інструкцій може призвести до ураження електричним струмом, до виникнення пожежі та/або до отримання серйозних травм.

Збережіть усі інструкції з техніки безпеки та експлуатації на майбутнє.

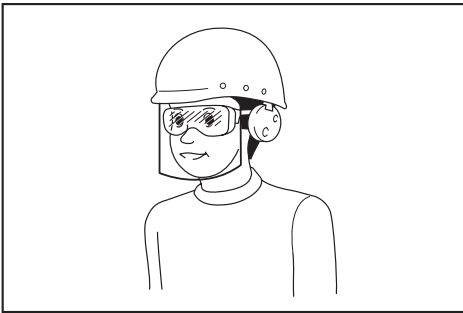
Інструктаж

1. Уважно прочитайте інструкції з експлуатації. Ознайомтеся з усіма засобами керування, а також із правилами належної експлуатації газокосарки.
2. Не дозволяйте користуватися газонокосаркою особам, не ознайомленим із цими інструкціями, та дітям. Місцеві норми можуть накладати обмеження на вік оператора.
3. Заборонено працювати з газонокосаркою, коли інші люди, особливо діти, або домашні тварини знаходяться поблизу.
4. Пам'ятайте, що оператор або користувач несе відповідальність за нещасні випадки та створення ситуацій, небезпечних для людей та їхнього майна.
5. Не допускайте, щоб діти гралися з газонокосаркою.

6. Фізичний стан. У жодному разі не використовуйте газонокосарку, перебуваючи під впливом наркотичних речовин, алкоголю або будь-яких медичних препаратів.

Підготовка

1. Перед використанням газонокосарки обов'язково взувайте міцне взуття та вдягайте довгі штани. Заборонено працювати з газонокосаркою босоніж або у відкритих сандаліях. Не рекомендовано вдягати прикраси, занадто вільний одяг або одяг, який має звисаючі мотузки або шнурки. Вони можуть потрапити у частини інструмента, що рухаються.
2. Перед початком експлуатації візуально оглядайте газонокосарку на наявність пошкоджених, відсутніх або неправильно встановлених огорож або екранів.
3. Перед початком роботи переконайтеся у відсутності сторонніх осіб на робочій ділянці. Зупиніть газонокосарку, якщо хтось наблизиться до місця роботи.
4. Не вставляйте блокувальний ключ у газонокосарку, якщо вона не готова до використання.
5. Завжди користуйтеся захисними окулярами, щоб захистити очі від травмування під час роботи з електроінструментами. Захисні окуляри мають відповідати стандарту ANSI Z87.1 у США, EN 166 у Європі або AS/NZS 1336 в Австралії / Новій Зеландії. В Австралії / Новій Зеландії законодавство вимагає користуватися також щитком для захисту обличчя.



Роботодавець відповідає за те, щоб оператори інструментів та інші особи, які знаходяться безпосередньо в робочій зоні, примусово користувалися відповідним захисним устаткуванням.

6. Перед початком роботи ретельно перевірте ріжуче полотно або болти, що використовуються для його фіксації, на наявність тріщин або пошкоджень. У разі виявлення тріщин або пошкоджень негайно замініть ріжуче полотно або болти.
7. Щоб уникнути пошкодження газонокосарки або травмування, перед початком роботи приберіть із робочої зони сторонні предмети, як-от каміння, дроти, пляшки, кістки або великі гілки.

8. Якщо ріжуче полотно газонокосарки натрапить на будь-який сторонній предмет, це може призвести до травмування. Щоразу перед використанням газонокосарки уважно оглядайте газон та прибирайте з нього всі сторонні предмети.
9. Огляньте газон на наявність ям, колій, вибоїн, каменів або інших прихованих об'єктів. Через нерівності поверхні ви можете підскокнутися й упасти. Висока трава може приховувати перешкоди.

Робота

1. Використовуючи виріб, не тягніться занадто далеко. Завжди зберігайте рівновагу. Працюючи на схилах, обов'язково займайте стійке положення. Пересувайтеся повільно, не переходьте на біг.
2. Зупиніть газонокосарку, витягніть блокувальний ключ і переконайтеся в тому, що всі рухомі частини повністю зупинилися:
 - коли залишаєте газонокосарку без нагляду;
 - перед видаленням засмічення або прочищенням трубки;
 - перед перевіркою та очищенням інструмента або проведенням робіт на газонокосарці;
 - якщо інструмент натрапив на сторонній предмет. Огляньте газонокосарку на відсутність пошкоджень і виконайте необхідний ремонт:
 - у разі ненормальної вібрації в газонокосарці.
3. Заборонено використовувати газонокосарку із пошкодженими захисними кожухами чи щитками або без встановлених захисних пристроїв, як-от відбивачів та/або корзини для трави.
4. Не використовуйте газонокосарку за поганих погодних умов, особливо коли є ризик виникнення грозового розряду.
5. Перед використанням газонокосарки вдягайте засіб для захисту очей і міцні черевики.
6. Користуйтеся газонокосаркою тільки у світлий час доби або за достатнього штучного освітлення.
7. Обережно увімкніть газонокосарку згідно з наведеними інструкціями, тримаючи ноги подалі від ріжучих полотен.
8. Будьте обережні, щоб не травмувати ноги або руки ріжучим полотном газонокосарки.
9. Завжди стежте за тим, щоб вентиляційні отвори не забивалися сміттям.
10. На схилах пересувайте газонокосарку попереку них, а не вгору та вниз. Будьте надзвичайно уважні, коли змінюєте напрямок руху газонокосарки на схилах. Не використовуйте газонокосарку на дуже крутих схилах.
11. Будьте надзвичайно уважні, повертаючи або пересуваючи газонокосарку до себе.
12. Зупиніть ріжучі полотна, якщо потрібно нахилити газонокосарку та перенести через ділянку, де не росте трава, або з однієї робочої ділянки на іншу.

13. Під час запуску двигуна не нахилийте газонокосарку; виняток становлять ті випадки, коли для запуску двигуна газонокосарку необхідно нахилити. Проте навіть у цьому разі не нахилийте її більше, ніж це необхідно, і підіймайте її частину, розташовану з протилежного від вас боку. Обидві руки мають перебувати в робочому положенні, коли ви опускаєте газонокосарку на землю.
 14. Не наближайте руки та ноги до частин, що обертаються. Тримайтеся на відстані від випускного отвору.
 15. Заборонено транспортувати газонокосарку в увімкненому стані.
 16. Не використовуйте газонокосарку на вологій траві.
 17. Заборонено працювати з газонокосаркою під дощем.
 18. Обов'язково міцно тримайте ручку.
 19. Піднімаючи газонокосарку або тримаючи її, не торкайтеся відкритого ріжучого полотна або ріжучої кромки.
 20. Тримайте ноги та руки подалі від ріжучого полотна, що обертається. Обережно! Полотно продовжують рух за інерцією після вимкнення газонокосарки.
 21. негайно припиніть роботу, якщо помітите будь-які відхилення. Вимкніть газонокосарку й вийміть блокувальний ключ. Після цього огляньте газонокосарку.
 22. Заборонено регулювати висоту косіння під час роботи двигуна, якщо газонокосарка підтримує таку функцію.
 23. Відпустіть пусковий важіль і дочекайтеся зупинки ріжучого полотна, перш ніж перетинати дорогу, тротуар, проїзну частину або ділянку, укриту ґравієм. Крім того, обов'язково вийміть блокувальний ключ, якщо потрібно залишити газонокосарку без нагляду, нахилитися, щоб підняти або прибрати сторонні предмети з дороги, а також за будь-яких інших обставин, що можуть відволікти вас від роботи.
 24. Якщо газонокосарка натрапить на сторонній предмет, виконайте такі дії:
 - зупиніть газонокосарку, відпустіть пусковий важіль та дочекайтеся повної зупинки ріжучого полотна;
 - вийміть блокувальний ключ і касету з акумулятором.
 - ретельно огляньте газонокосарку на наявність пошкоджень;
 - у разі виявлення будь-яких пошкоджень ріжучого полотна замініть його. Усуньте всі пошкодження, перш ніж продовжувати використання газонокосарки.
 25. Не запускайте газонокосарку, стоячи перед випускним отвором.
 26. Якщо спостерігається аномальна вібрація газонокосарки (потрібно негайно перевірка):
 - огляньте інструмент на наявність пошкоджень;
 - замініть або відремонтуйте пошкоджені частини;
 - перевірте на наявність незакріплених деталей та затягніть їх.
 27. Не спрямовуйте потік зрізаного матеріалу на людей. Не спрямовуйте потік зрізаного матеріалу на стіну або будь-який предмет. Зрізаний матеріал може відскочити в бік оператора. Зупиніть лезо перед транспортуванням по поверхні з ґравію.
 28. Не тягніть газонокосарку назад без необхідності. За необхідності відвести косарку від забору або іншої аналогічної перешкоди дивіться вниз і назад до початку руху, а також під час руху назад.
 29. Вимкніть двигун і зачекайте, поки лезо повністю не зупиниться, перш ніж зняти травозбірник. Пам'ятайте, що леза продовжують обертатися після вимкнення.
- Технічне обслуговування й зберігання**
1. Щоб гарантувати безпечну роботу, замінійте зношені або пошкоджені деталі. Використовуйте тільки оригінальні запасні частини та приладдя.
 2. Оглядайте газонокосарку й виконуйте її технічне обслуговування регулярно.
 3. Якщо газонокосарка не використовується, зберігайте її в недоступному для дітей місці.
 4. Щоб гарантувати безпечну роботу інструмента, перевіряйте надійність затягування всіх гайок, болтів та гвинтів.
 5. Регулярно через невеликі проміжки часу перевіряйте корзину для трави на наявність ознак зношення або пошкодження. Зберігати інструмент необхідно з порожньою корзиною для трави. Щоб гарантувати безпечне використання інструмента, замініть зношену корзину для трави новою оригінальною запасною корзиною.
 6. Використовуйте тільки оригінальне ріжуче полотно, зазначене в цьому посібнику.
 7. Під час налаштування газонокосарки слідкуйте за тим, щоб пальці не потрапили між ріжучими полотнами, що обертаються, та нерухомими частинами газонокосарки.
 8. Не мийте інструмент за допомогою шланга; не допускайте потрапання води у двигун та на електричні з'єднання.
 9. Регулярно через невеликі проміжки часу перевіряйте, чи надійно затягнуто болт кріплення ріжучого полотна.
 10. Перед тим як ставити газонокосарку на зберігання, зачекайте, поки вона охолоне.
 11. Під час обслуговування ріжучих полотен пам'ятайте про те, що вони все ще можуть рухатися, навіть якщо джерело живлення відключено.
 12. Не знімайте запобіжні механізми й не вносьте в них зміни. Регулярно перевіряйте правильність їх роботи. Не робіть ніяких дій, які можуть вплинути на функціонування запобіжного механізму або можуть знизити ступінь захисту, який забезпечується запобіжним механізмом.

Використання та обслуговування акумуляторних інструментів

1. **Перезаряджайте акумулятор лише за допомогою зарядного пристрою, вказаного виробником.** Зарядний пристрій, який підходить для одного типу акумуляторів, може призвести до пожежі при використанні з акумулятором іншого типу.
2. **Використовуйте електроінструменти лише з акумуляторами того типу, який призначений саме для цих електроінструментів.** Використання акумуляторів інших типів може призвести до отримання травм і виникнення пожежі.
3. **Коли акумулятор не використовується, тримайте його подалі від таких металевих предметів, як скріпки, монети, ключі, цвяхи, шурупи тощо, які можуть замкрити клемми акумулятора.** Замикання клем акумулятора може призвести до отримання опіків або до пожежі.
4. **За неналежних умов зберігання з акумулятора може витікати рідина, контакту з якою слід уникати.** У разі випадкового потрапляння рідини на тіло відповідну частину тіла слід промити водою. Якщо рідина потрапила в очі, їх слід промити водою, після чого необхідно звернутися до лікаря. Рідина, що витікає з акумулятора, може спричинити подразнення або опіки.
5. **Не користуйтеся акумулятором або інструментом, які було змінено чи пошкоджено.** Експлуатація акумуляторів, що їх було пошкоджено або до конструкції яких було внесено зміни, може бути небезпечною й може спричинити пожежу, вибух або травму.
6. **Не піддавайте акумулятор або інструмент впливу вогню чи надмірної температури.** Вплив вогню або температури вище 130° C може спричинити вибух.
7. **Дотримуйтеся усіх вказівок із заряджання й не заряджайте акумулятор або інструмент за температури за межами вказаного в інструкції діапазону.** Неправильне заряджання або заряджання за межами вказаного температурного діапазону може призвести до пошкодження акумулятора й підвищити небезпеку займання.

Електробезпека й техніка безпеки під час роботи з акумулятором

1. **Не спалюйте акумулятори.** Акумулятор може вибухнути. Ознайомтеся з місцевими законами, які можуть містити спеціальні інструкції щодо утилізації відходів.
2. **Не відкривайте й не деформуйте акумулятори.** Електроліт є їдкою речовиною, тому в разі контакту зі шкірою або очима може завдати травму. У разі проковтування він може бути токсичним.
3. **Не заряджайте акумулятор під дощем або в місцях із підвищеною вологістю.**
4. **Перезаряджайте акумулятор тільки в приміщенні.**
5. **Не торкайтеся зарядного пристрою, а також штекера й контактів зарядного пристрою вологими руками.**

Обслуговування

1. **Ремонт електроінструмента повинен здійснювати лише кваліфікований майстер з використанням лише стандартних деталей.** Це забезпечить підтримання електроінструмента в належному стані.
2. **Забароняється ремонтувати пошкоджені акумулятори.** Ремонт акумуляторів має виконувати тільки виробник або вповноважений постачальник послуг.

ЗБЕРІГАЙТЕ ЦІ ВКАЗІВКИ.

⚠️ ПОПЕРЕДЖЕННЯ: НИКОЛИ НЕ втрачайте пильності та не розслабляйтеся під час користування виробом (що можливо при частому користуванні); обов'язково строго дотримуйтеся відповідних правил безпеки.

НЕНАЛЕЖНЕ ВИКОРИСТАННЯ або недотримання правил техніки безпеки, викладених у цій інструкції з експлуатації, може призвести до серйозних травм.

Важливі інструкції з безпеки для касети з акумулятором

1. **Перед тим як користуватися касетою з акумулятором, слід прочитати всі інструкції та застережні знаки щодо (1) зарядного пристрою акумулятора, (2) акумулятора та (3) виробів, що працюють від акумулятора.**
 2. **Не розбирайте касету з акумулятором і не змінюйте її конструкцію.** Це може призвести до пожежі, перегріву або вибуху.
 3. **Якщо період роботи дуже покоротшав, слід негайно припинити користування.** Це може призвести до виникнення ризику перегріву, опіку та навіть вибуху.
 4. **У разі потрапляння електроліту в очі слід промити їх чистою водою та негайно звернутися до лікаря.** Це може призвести до втрати зору.
 5. **Не замкніть касету з акумулятором.**
 - (1) **Не слід торкатися клем будь-яким струмопровідним матеріалом.**
 - (2) **Не слід зберігати касету з акумулятором у смітні з іншими металевими предметами, такими як цвяхи, монети тощо.**
 - (3) **Не залишайте касету з акумулятором під дощем, запобігайте контакту з водою.**
- Коротке замикання може призвести до появи значного струму, перегріву, можливих опіків та навіть виходу з ладу.**
6. **Не слід зберігати й використовувати інструмент і касету з акумулятором у місцях, де температура може сягнути чи перевищити 50 °C (122 °F).**
 7. **Не слід спалювати касету з акумулятором, навіть якщо вона була неодноразово пошкоджена або повністю спрацьована.** Касета з акумулятором може вибухнути у вогні.
 8. **Забаронено забивати цвяхи в касету з акумулятором, різати, ламати, кидати, впускати касету з акумулятором або вдаряти її твердим предметом.** Це може призвести до пожежі, перегріву або вибуху.

9. Не слід використовувати пошкоджений акумулятор.
10. Літій-іонні акумулятори, що містяться в інструменті, мають відповідати вимогам законів про небезпечні товари.
Під час транспортування за допомогою комерційних перевезень, наприклад із залучанням третьої сторони та експедиторів, необхідно дотримуватись особливих вимог, вказаних на пакуванні й у маркуванні.
Під час підготування позиції до відправлення необхідно проконсультуватись зі спеціалістом з небезпечних матеріалів. Крім того, слід виконувати більш докладні національні настанови, якщо такі є.
Заклейте відкриті контакти стрічкою або заховайте їх і запакуйте акумулятор таким чином, щоб він не міг рухатися в пакуванні.
11. Для утилізації касети з акумулятором витягніть її з інструмента та утилізуйте безпечним способом. Дотримуйтесь норм місцевого законодавства щодо утилізації акумуляторів.
12. Використовуйте акумулятори лише з виробами, указаними компанією Makita.
Установлення акумуляторів у невідповідні вироби може призвести до пожежі, надмірного нагрівання, вибуху чи витоку електроліту.
13. Якщо інструментом не користуватимуться протягом тривалого періоду часу, вийміть акумулятор з інструмента.
14. Під час і після використання касета з акумулятором може нагріватися, що може стати причиною опіків або низькотемпературних опіків. Будьте обережні під час поводження з гарячою касетою з акумулятором.
15. Не торкайтесь контактів інструмента відразу після використання, оскільки він може бути досить гарячим, щоб викликати опіки.
16. Не допускайте, щоб уламки, пил або земля прилипали до контактів, отворів і пазів на касеті з акумулятором. Це може привести до зниження експлуатаційних параметрів, поломки інструмента або касети з акумулятором.
17. Якщо інструмент не розраховано на використання поблизу високовольтних ліній електропередач, не використовуйте касету з акумулятором поблизу високовольтних ліній електропередач. Це може привести до несправності, поломки інструмента або касети з акумулятором.
18. Тримайте акумулятор у недоступному для дітей місці.

ЗБЕРІГАЙТЕ ЦІ ВКАЗІВКИ.

⚠ОБЕРЕЖНО: Використовуйте тільки акумулятори Makita. Використання акумуляторів, інших ніж оригінальні акумулятори Makita, або акумуляторів, конструкція яких було змінено, може призвести до вибуху акумулятора і спричинити пожежу, травму або пошкодження. У зв'язку з цим також буде анульовано гарантію Makita на інструмент Makita і на зарядний пристрій.

Поради з забезпечення максимального строку експлуатації акумулятора

1. Касету з акумулятором слід заряджати до того, як він розрядиться повністю. Завжди слід зупинити роботу інструмента та зарядити акумулятор, якщо ви помітили зменшення потужності інструмента.
2. Ніколи не слід заряджати повторно повністю заряджену касету з акумулятором. Перезарядження скорочує строк експлуатації акумулятора.
3. Заряджайте касету з акумулятором при кімнатній температурі 10°C - 40°C (50°F - 104°F). Перед тим як заряджати касету з акумулятором, слід зачекати, доки вона охолоне.
4. Коли касета з акумулятором не використовується, виймайте її з інструмента або зарядного пристрою.
5. Якщо касета з акумулятором не використовувалася тривалий час (понад шість місяців), її слід зарядити.

ЗБОРКА

⚠ПОПЕРЕДЖЕННЯ: Обов'язково виймайте блокувальний ключ та касету з акумулятором, перш ніж починати будь-які роботи з газонокосаркою. Якщо не вийняти блокувальний ключ та касету з акумулятором, випадкове увімкнення інструмента може призвести до важких травм.

⚠ПОПЕРЕДЖЕННЯ: Запускайте газонокосарку тільки в повністю зібраному стані. Використання машини в частково зібраному стані може спричинити тяжкі травми через випадковий пуск.

Встановлення кришки відсіку для акумулятора

⚠ПОПЕРЕДЖЕННЯ: Не вставляйте блокувальний ключ та касету з акумулятором до встановлення кришки відсіку для акумулятора. Недотримання цієї вимоги може призвести до важких травм.

Перед початком роботи повністю встановіть кришку відсіку для акумулятора. Кришка відсіку для акумулятора слугує для захисту газонокосарки й касети з акумулятором від бруду та води.

1. Розсташуйте кришку відсіку для акумулятора, сумістивши виступи на газонокосарці з отворами на кришці.

► **Рис.1:** 1. Виступ 2. Отвір 3. Кришка відсіку для акумулятора

2. Розсташуйте руки посередині кришки відсіку для акумулятора та натисніть на неї.

► **Рис.2**

3. Перед першим використанням переконайтеся в належному прикріпленні шарнірного з'єднання кришки відсіку для акумулятора. Якщо кришку відсіку для акумулятора встановлено правильно, вона відкриється тільки після натискання на фіксуючий важіль кришки відсіку для акумулятора.

► **Рис.3:** 1. Шарнірне з'єднання 2. Фіксуючий важіль кришки відсіку для акумулятора

Встановлення ручок

УВАГА: Встановлюючи ручки, розташуйте шнури таким чином, щоб вони не могли зачепитися за будь-які предмети, які знаходяться між ручками. Якщо шнур пошкоджено, пусковий важіль газонокосарки може не працювати.

1. Вставте обидва кінці нижньої ручки в пази газонокосарки, а потім повністю затягніть затискні гвинти.

► **Рис.4:** 1. Затискний гвинт 2. Нижня ручка

2. Вирівняйте отвори для гвинтів верхньої та нижньої ручок. Закріпіть їх за допомогою затискних гвинтів і гайок.

► **Рис.5:** 1. Затискна гайка 2. Затискний гвинт

ПРИМІТКА: Міцно тримайте верхню ручку, щоб вона не випала з руки.

3. Прикріпіть тримачі до ручки. Розташуйте шнур живлення, як показано на малюнку.

► **Рис.6:** 1. Тримач

Демонтаж вставки для мульчування

Додаткове обладнання

1. Відчиніть задню кришку.

► **Рис.7:** 1. Задня кришка

2. Утримуйте вставку для мульчування за ручку й витягніть її з корпусу газонокосарки, як показано на рисунку.

► **Рис.8:** 1. Вставка для мульчування 2. Ручка

Встановлення корзини для трави

1. Відчиніть задню кришку.

► **Рис.9:** 1. Задня кришка

2. Зачепіть гачок на кошику для трави за стрижень на корпусі газонокосарки, як показано на рисунку.

► **Рис.10:** 1. Гачок 2. Шток 3. Корзина для трави

Установлення вставки для мульчування

Додаткове обладнання

1. Відчиніть задню кришку і зніміть корзину для трави.

► **Рис.11:** 1. Задня кришка 2. Корзина для трави

2. Утримуйте вставку для мульчування за ручку й вставте її в корпус газонокосарки, як показано на рисунку.

► **Рис.12:** 1. Вставка для мульчування 2. Ручка

ОПИС РОБОТИ

Встановлення та зняття касети з акумулятором

▲ОБЕРЕЖНО: Обов'язково вимикайте машину перед установленням або зняттям касети з акумулятором.

▲ОБЕРЕЖНО: Перед використанням обов'язково заблокуйте кришку відсіку для акумулятора. Інакше бруд чи вода може спричинити пошкодження виробу або касети з акумулятором.

▲ОБЕРЕЖНО: Завжди вставляйте касету з акумулятором повністю, доки не зникне червоний індикатор. Якщо цього не зробити, касета може випадково випасти з обладнання й завдати травми вам або людям, що перебувають поруч.

▲ОБЕРЕЖНО: Не встановлюйте касету з акумулятором із зусиллям. Якщо касета не вставляється легко, це означає, що її вставляють неправильно.

ПРИМІТКА: Машина не працює, якщо вставлено тільки одну касету з акумулятором.

Встановлення касети з акумулятором

1. Пересуньте фіксуючий важіль кришки відсіку для акумулятора та відкрийте кришку відсіку для акумулятора.

► **Рис.13:** 1. Кришка відсіку для акумулятора
2. Фіксуючий важіль кришки відсіку для акумулятора

2. Сумістіть язичок на касеті з акумулятором із пазом на газонокосарці, а тоді вставте касету до фіксації з клацанням.

► **Рис.14:** 1. Касета з акумулятором

3. Вставте блокувальний ключ до упору, як показано на малюнку.

► **Рис.15:** 1. Блокувальний ключ

4. Закрийте кришку відсіку для акумулятора та притисніть її до зачеплення з фіксуючим важелем.

Виймання касети з акумулятором з газонокосарки

1. Пересуньте фіксуючий важіль кришки відсіку для акумулятора та відкрийте кришку відсіку для акумулятора.

2. Витягніть касету з акумулятором з газонокосарки, водночас натискаючи кнопку на передній частині касети.

3. Витягніть блокувальний ключ.

4. Закрийте кришку відсіку для акумулятора.

Система захисту обладнання й акумулятора

Машину оснащено системою захисту акумулятора. Ця система автоматично вимикає живлення двигуна з метою збільшення терміну служби машини й акумулятора. Машина автоматично зупиняється під час роботи, якщо обладнання або акумулятор перебувають у зазначених далі умовах.

Захист від перевантаження

Якщо обладнання використовується в умовах надмірного споживання струму, воно автоматично вимикається без будь-якого попередження. У такому випадку вимкніть машину й припиніть роботу, під час виконання якої сталося перевантаження машини. Щоб перезапустити машину, увімкніть її знову.

Захист від перегрівання

Якщо машина перегрівається, вона зупиняється автоматично. Дайте машині охолонути перед її повторним вмиканням.

Захист від надмірного розрядження

Коли заряд акумулятора стає недостатнім для подальшої роботи, машина автоматично припиняє роботу. Якщо виріб не працює, навіть коли задіяно вмикачі, необхідно виїхати з машини акумулятори й зарядити їх.

Відображення залишкового заряду акумулятора

► Рис.16: 1. Індикатор акумулятора



















За низького заряду акумулятора індикатор акумулятора починає блимати на відповідному боці акумулятора. У разі подальшого використання машина припиняє роботу, а індикатор акумулятора вмикається приблизно на 10 секунд. У такому разі необхідно зарядити касету з акумулятором.

Відображення залишкового заряду акумулятора

Тільки для касет з акумулятором, які мають індикатори

► Рис.17: 1. Індикаторні лампи 2. Кнопка перевірки

Натисніть кнопку перевірки на касеті з акумулятором для відображення залишкового ресурсу акумулятора. Індикаторні лампи загоряться на кілька секунд.

Індикаторні лампи			Залишковий ресурс
 Горить	 Вимк.	 Блимає	
			від 75 до 100%
			від 50 до 75%
			від 25 до 50%
			від 0 до 25%
			Зарядіть акумулятор.
			Можливо, акумулятор вийшов з ладу.
		 	

ПРИМІТКА: Залежно від умов використання та температури оточуючого середовища показання можуть незначним чином відрізнятися від дійсного ресурсу.

Дія вмикача

▲ПОПЕРЕДЖЕННЯ: Перш ніж вставляти в інструмент касету з акумулятором, слід обов'язково переконатися в тому, що пусковий важіль спрацьовує належним чином і повертається у вихідне положення після відпускання. Робота з машиною, вмикач якої не спрацьовує належним чином, може призвести до втрати контролю над машиною й отримання тяжких травм.

ПРИМІТКА: Навіть за натисання на пусковий важіль газонокосарка не запуститься, якщо не натиснуто пускову кнопку.

ПРИМІТКА: Газонокосарка може не запуститися через перевантаження, якщо спробувати косити високу або густу траву за один прохід. У такому разі потрібно збільшити висоту скошування.

Газонокосарку оснащено блокувальним вмикачем та вмикачем на ручці. Якщо помітите щось незвичичне у роботі якогось із цих вмикачів, негайно припиніть роботу та перевірте їх у найближчому авторизованому сервісному центрі Makita.

1. Установіть касети з акумулятором. Вставте блокувальний ключ у блокувальний вмикач та закрийте кришку відсіку для акумулятора.

► Рис.18: 1. Касета з акумулятором
2. Блокувальний ключ

2. Натисніть та утримуйте пускову кнопку.

3. Тримайте верхню ручку, натисніть пусковий важіль.

► Рис.19: 1. Пускова кнопка 2. Пусковий важіль

4. Щойно двигун запуститься, відпустіть пускову кнопку. Газонокосарка продовжуватиме працювати, поки ви не відпустите пусковий важіль.

5. Щоб зупинити двигун, відпустіть пусковий важіль.

Регулювання висоти скошування

▲ПОПЕРЕДЖЕННЯ: Регулюючи висоту скошування, у жодному разі не розташовуйте руку чи ногу під корпусом газонокосарки.

▲ПОПЕРЕДЖЕННЯ: Перед початком роботи переконайтеся, що важіль належним чином увійшов у паз.

Висоту скошування можна відрегулювати в діапазоні від 20 мм до 75 мм.

1. Вийміть блокувальний ключ.

2. Потягніть важіль регулювання висоти скошування у напрямку від корпусу газонокосарки та переверніть його на потрібну висоту скошування.

► Рис.20: 1. Важіль регулювання висоти скошування

ПРИМІТКА: Позначки висоти скошування слід використовувати лише для довідки. Залежно від стану газону або ґрунту фактична висота скошування може дещо відрізнятися від заданого значення.

ПРИМІТКА: Зробіть пробне скошування трави у менш помітному місці, щоб налаштувати потрібну висоту.

Індикатор рівня трави

► Рис.21: 1. Індикатор рівня трави

Індикатор рівня трави показує обсяг скошеної трави.

- Коли корзина для трави неповна, індикатор коливається під час косіння.
- Коли корзина для трави повна, індикатор не коливається під час косіння. У такому разі негайно припиніть косіння і спорожніть корзину. Після цього почистіть порожню корзину, так щоб її сітка пропускала повітря.

ПРИМІТКА: Цей індикатор є лише приблизним. Залежно від умов усередині корзини цей індикатор може працювати неналежним чином.

Використання вставки для мульчування

Додаткове обладнання

Вставка для мульчування дає змогу скидати подрібнену траву назад на газон, не збираючи її в кошик для трави. У разі роботи зі вставкою для мульчування вквітніться, що кошик для трави знято з машини.

УВАГА: У разі використання машини зі вставкою для мульчування переконайтеся, що загальна довжина трави після зрізання становить щонайменше 30 мм, а довжина зрізу не перевищує 15 мм.

► Рис.22: (1) 30 мм або більше (2) 15 мм або менше

РОБОТА

Косіння

▲ ПОПЕРЕДЖЕННЯ: Перш ніж починати косити газон, приборіть з робочої ділянки гілки та каміння. Крім того, видаліть заздалегідь бур'ян із робочої ділянки.

▲ ПОПЕРЕДЖЕННЯ: Під час використання газонокосарки обов'язково користуйтеся захисними окулярами з боковими щитками.

▲ ОБЕРЕЖНО: Якщо в корпусі газонокосарки накопичилася трава або сторонні об'єкти, обов'язково вийміть блокувальний ключ і касету з акумулятором та надягніть захисні рукавички, перш ніж видаляти сміття зсередини корпусу.

УВАГА: Використовуйте машину лише для косіння газонів. Не використовуйте її для косіння бур'янів.

► Рис.23

Під час косіння міцно тримайте рукоятку обома руками.

Рекомендована швидкість косіння становить приблизно 1 метр на 4 секунди.

► Рис.24

Зовнішні краї передніх коліс є орієнтиром для ширини смуги скошування. Використовуйте зовнішні краї передніх коліс у якості орієнтирів, косіть смугами. Щоб рівномірно підстригти газон, перекривайте косаркою половину або третину попередньої смуги.

► Рис.25: 1. Ширина скошування 2. Зона перекриття 3. Зовнішній край

Змінійте напрям руху кожного разу, щоб уникнути пригинання трави в одному напрямку.

► Рис.26

Періодично перевіряйте кількість скошеної трави у корзині. Спорожніть корзину для трави до того, як вона заповниться. Перед кожною такою перевіркою зупиняйте газонокосарку та вийміть блокувальний ключ та касету з акумулятором.

УВАГА: Якщо використовувати газонокосарку із заповненим кошиком для трави, ріжуче полотно обертатиметься нерівномірно – це збільшує навантаження на двигун і може призвести до його виходу з ладу.

Косіння газону з високою травою

Не намагайтеся покосити газон з високою травою за один прохід. Натомість косіть такий газон у кілька прийомів. Косіть газон з інтервалом один або два дні, поки трава не набуде рівномірної довжини.

ПРИМІТКА: Якщо скосити високу траву одразу дуже коротко, це може призвести до її відмирання. Крім того, зрізана трава може заблокувати зсередини корпусу газонокосарки.

Спорожнення корзини для трави

▲ ПОПЕРЕДЖЕННЯ: Щоб зменшити ризик нещасного випадку, регулярно оглядайте корзину для трави на наявність пошкоджень або зменшення міцності. За необхідності замініть корзину для трави.

1. Відпустіть пусковий важіль.
2. Вийміть блокувальний ключ.
3. Відкрийте задню кришку й вийміть кошик для трави, тримаючи його за ручку.
► Рис.27: 1. Задня кришка 2. Ручка
4. Спорожніть корзину для трави.

ТЕХНІЧНЕ

ОБСЛУГОВУВАННЯ

⚠ ПОПЕРЕДЖЕННЯ: Обов'язково виймайте з газонокосарки блокувальний ключ і касету з акумулятором, перш ніж ставити інструмент на зберігання, оглядати його або проводити ремонт або технічне обслуговування.

⚠ ПОПЕРЕДЖЕННЯ: Обов'язково виймайте блокувальний ключ, коли газонокосарка не використовується. Зберігайте блокувальний ключ у безпечному та недоступному для дітей місці.

⚠ ПОПЕРЕДЖЕННЯ: Під час огляду або проведення технічного обслуговування одягайте рукавиці.

⚠ ПОПЕРЕДЖЕННЯ: Під час огляду або технічного обслуговування інструмента обов'язково користуйтеся захисними окулярами з боковими щитками.

УВАГА: Ніколи не використовуйте газолін, бензин, розріджувач, спирт та подібні речовини. Їх використання може призвести до зміни кольору, деформації або появи тріщин.

Для забезпечення БЕЗПЕКИ та НАДІЙНОСТІ продукції, її ремонт, а також роботи з обслуговування або регулювання повинні виконуватись уповноваженими або заводськими сервісними центрами Makita із використанням запчастин виробництва компанії Makita.

Технічне обслуговування

1. Вийміть блокувальний ключ. Зберігайте його у безпечному та недоступному для дітей місці.
2. Очистіть газонокосарку за допомогою вологої тканини. Не розпилюйте та не лейте воду на газонокосарку під час чищення.
3. Покладіть газонокосарку на бік та видаліть залишки трави, що накопичилися під її кришкою.
4. Перевірте, чи належним чином затягнуто всі гайки, болти, рукоятки, гвинти та інші затискні пристрої.
5. Огляньте рухомі частини на наявність пошкоджень, тріщин та зношення. Пошкоджені або відсутні деталі необхідно відремонтувати або замінити.

Зберігання

⚠ ПОПЕРЕДЖЕННЯ: Якщо необхідно перенести газонокосарку в інше місце або поставити її на зберігання, забороняється тримати її за складені ручки; натомість тримайте газонокосарку за передню ручку. Якщо тримати її за складені ручки, можна отримати важкі травми або пошкодити газонокосарку.

Перш ніж ставити газонокосарку на зберігання, вийміть із неї касету з акумулятором і блокувальний ключ.

Зберігайте газонокосарку в прохолодному сухому й замкнутому приміщенні. Заборонено зберігати газонокосарку й зарядний пристрій у місця, де температура може сягнути або перевищити 40 °С.

► **Рис.28:** 1. Передня ручка 2. Задня ручка

1. Відпустіть затискні гвинти та висуньте нижню ручку з обох боків. Опустіть ручку вперед. При цьому міцно тримайте нижню ручку, щоб вона не впала на протилежний бік від корпусу газонокосарки.

► **Рис.29:** 1. Затискний гвинт 2. Нижня ручка

2. Відпустіть затискні гайки та поверніть верхню ручку назад, висунувши її з обох боків.

► **Рис.30:** 1. Затискна гайка 2. Верхня ручка

3. Зберігайте корзину для трави між рукою та корпусом газонокосарки.

► **Рис.31:** 1. Корзина для трави

ПРИМІТКА: Встановлюючи газонокосарку у вертикальне положення, не тримайте її за ручку; натомість використовуйте для цього передню ручку газонокосарки.

Зняття або встановлення ріжучого полотна газонокосарки

⚠ ПОПЕРЕДЖЕННЯ: Під час зняття або встановлення ріжучого полотна обов'язково виймайте блокувальний ключ та касету з акумулятором. Якщо не вийняти блокувальний ключ та касету з акумулятором, це може призвести до важких травм.

⚠ ПОПЕРЕДЖЕННЯ: Після відпускання пускового важеля ріжуче полотно продовжує рух за інерцією протягом кількох секунд. Заборонено розпочинати будь-якої дії до повної зупинки ріжучого полотна.

⚠ ПОПЕРЕДЖЕННЯ: Під час роботи з ріжучим полотном обов'язково одягайте рукавиці.

Знімання ріжучого полотна газонокосарки

Модель DLM382

1. Покладіть газонокосарку на бік таким чином, щоб важіль регулювання висоти скошування опинився зверху.
2. Щоб заблокувати обертання леза, вставте викрутку або аналогічний інструмент в отвір на корпусі газонокосарки.
3. Відкрутіть болт, обертаючи його гайковим ключем проти годинникової стрілки.
► **Рис.32:** 1. Ріжуче полотно газонокосарки 2. Викрутка 3. Ключ
4. Вийміть послідовно болт і лезо газонокосарки.
► **Рис.33:** 1. Опора для леза 2. Ріжуче полотно газонокосарки 3. Болт

Модель DLM432

1. Покладіть газонокосарку на бік таким чином, щоб важіль регулювання висоти скошування опинився зверху.
2. Щоб заблокувати обертання леза, вставте викрутку або аналогічний інструмент в отвір на корпусі газонокосарки.
3. Відкрутіть болт, обертаючи його гайковим ключем проти годинникової стрілки.
▶ **Рис.34:** 1. Ріжуче полотно газонокосарки
2. Викрутка 3. Ключ
4. Зніміть по черзі болт, зовнішній фланець, ріжуче полотно газонокосарки та внутрішній фланець.
▶ **Рис.35:** 1. Внутрішній фланець 2. Ріжуче полотно газонокосарки 3. Зовнішній фланець
4. Болт

Установлення ріжучого полотна газонокосарки

Щоб встановити ріжуче полотно газонокосарки, виконайте процедуру його зняття у зворотному порядку.

⚠ПОПЕРЕДЖЕННЯ: Обережно встановіть ріжуче полотно газонокосарки. Воно має верхню й нижню поверхні. Розташуйте ріжуче полотно таким чином, щоб сторона зі стрілкою, що показує напрямок обертання, була спрямована назовні.

⚠ПОПЕРЕДЖЕННЯ: Міцно затягніть болт за годинниковою стрілкою, щоб закріпити ріжуче полотно.

⚠ПОПЕРЕДЖЕННЯ: Переконайтеся в тому, що ріжуче полотно газонокосарки й усі кріпильні деталі правильно встановлено й надійно затягнуто.

⚠ПОПЕРЕДЖЕННЯ: Під час встановлення ріжучих полотен обов'язково дотримуйтеся інструкцій, наведених у цьому посібнику.

УСУНЕННЯ НЕСПРАВНОСТЕЙ

Перш ніж звертатися з приводу ремонту інструмента, проведіть його перевірку самостійно. У разі виявлення несправності, яку не описано в цьому посібнику, не намагайтеся розібрати інструмент. Натомість зверніться до авторизованих сервісних центрів Makita та використовуйте для ремонту тільки запасні частини виробництва компанії Makita.

Стан відхилення від норми	Можлива причина (несправність)	Спосіб виправлення
Газонокосарка не запускається.	Не встановлено дві касети з акумулятором.	Встановіть заряджені касети з акумулятором.
	Проблема з акумулятором (знижена напруга)	Зарядіть касету з акумулятором. Якщо зарядження не призвело до бажаного результату, замініть касету з акумулятором.
	Блокувальний ключ не вставлено.	Вставте блокувальний ключ.
Двигун перестає працювати після короткочасного використання.	Низький рівень заряду акумулятора.	Зарядіть касету з акумулятором. Якщо зарядження не призвело до бажаного результату, замініть касету з акумулятором.
	Висота різання замала.	Збільште висоту різання.
Двигун не досягає максимальної швидкості обертання.	Касету з акумулятором встановлено неправильно.	Встановіть касету з акумулятором, як описано в цьому посібнику.
	Заряд акумулятора зменшується.	Зарядіть касету з акумулятором. Якщо зарядження не призвело до бажаного результату, замініть касету з акумулятором.
	Система приводу працює неправильно.	Зверніться до місцевого авторизованого сервісного центру з приводу ремонту.
Ріжуче полотно газонокосарки не обертається: ⇒ негайно зупиніть газонокосарку!	Сторонній предмет, як-от гілка, застряг поруч із ріжучим полотном.	Приберіть сторонній предмет.
	Система приводу працює неправильно.	Зверніться до місцевого авторизованого сервісного центру з приводу ремонту.
Аномальна вібрація: ⇒ негайно зупиніть газонокосарку!	Ріжуче полотно розбалансоване, надмірно або нерівномірно зношене.	Замініть ріжуче полотно.

ДОДАТКОВЕ ПРИЛАДДЯ

⚠ ОБЕРЕЖНО: Це додаткове та допоміжне обладнання рекомендовано використовувати з інструментом Makita, зазначеним у цій інструкції з експлуатації. Використання будь-якого іншого додаткового та допоміжного обладнання може становити небезпеку травмування. Використовуйте додаткове та допоміжне обладнання лише за призначенням.

У разі необхідності отримати допомогу в більш детальному ознайомленні з оснащенням звертайтеся до місцевого сервісного центру Makita.

- Ріжуче полотно газонокосарки
- Вставка для мульчування
- Оригінальний акумулятор та зарядний пристрій Makita

ПРИМІТКА: Деякі елементи списку можуть входити до комплекту інструмента як стандартне приладдя. Вони можуть відрізнятися залежно від країни.

SPECIFICAȚII

Model:	DLM382	DLM432	
Lățime de tundere (diametrul pânzei)	380 mm	430 mm	
Turație în gol	3.700 min ⁻¹	3.600 min ⁻¹	
Numărul piesei de schimb pânză mașină de tuns iarba	191D41-2	191D43-8	
Dimensiuni (L x l x H)	În timpul funcționării	L: Între 1.380 mm și 1.410 mm l: 450 mm H: Între 985 mm și 1.005 mm	L: Între 1.435 mm și 1.490 mm l: 460 mm H: Între 1.005 mm și 1.045 mm
	În timpul depozitării (fără coș pentru iarbă)	860 mm x 450 mm x 475 mm	865 mm x 460 mm x 475 mm
Tensiune nominală	36 V cc.		
Greutate netă	15,0 - 16,5 kg	15,4 - 17,1 kg	

- Datorită programului nostru continuu de cercetare și dezvoltare, specificațiile pot fi modificate fără o notificare prealabilă.
- Specificațiile pot varia în funcție de țară.
- Greutatea poate diferi în funcție de accesoriu(ii), inclusiv cartușul acumulatorului. În tabel se prezintă combinația cea mai ușoară și cea mai grea, conform Procedurii EPTA 01/2014.

Cartușul acumulatorului și încărcătorul aplicabile

Cartușul acumulatorului	BL1815N / BL1820 / BL1820B / BL1830 / BL1830B / BL1840 / BL1840B / BL1850 / BL1850B / BL1860B
Încărcător	DC18RC / DC18RD / DC18RE / DC18SD / DC18SE / DC18SF / DC18SH






- Este posibil ca unele cartușe ale acumulatorilor și încărcătoare menționate mai sus să nu fie disponibile în funcție de regiunea dvs. de reședință.

⚠️ AVERTIZARE: Utilizați numai cartușele de acumulator și încărcătoarele enumerate mai sus. Utilizarea oricărui altor cartușe de acumulator și încărcătoare poate duce la rănire și/sau incendiu.

⚠️ AVERTIZARE: Nu utilizați o sursă de alimentare cu cablu, cum ar fi un adaptor pentru acumulator sau un bloc de alimentare portabil, cu această mașină. Cablul sursei de alimentare poate împiedica utilizarea și poate duce la vătămări corporale.

Simboluri

Mai jos sunt prezentate simbolurile care pot fi utilizate pentru echipament. Asigurați-vă că înțelegeți sensul acestora înainte de utilizare.

	Acordați atenție și grijă deosebită.
	Citiți manualul de utilizare.
	Pericol; țineți cont de obiectele care pot fi aruncate.
	Distanța dintre mașină și persoanele aflate în zonă trebuie să fie de cel puțin 15 m.
	Nu apropiați niciodată mâinile sau picioarele de lamă sub mașina de tuns iarba. Lamele continuă să se rotească după oprirea motorului.



Scoateți cheia de blocare înainte de a inspecta, regla, curăța, efectua operațiuni de service, lăsa nesupravegheată și depozita mașina de tuns iarba.



Ni-MH
Li-ion

Doar pentru țările din cadrul UE
Nu aruncați aparatele electrice sau acumulatorii în gunoii menajeri!
În conformitate cu Directiva europeană privind deșeurile de echipamente electrice și electronice, bateriile și acumulatorii, precum și bateriile și acumulatorii reziduale și implementarea acestora conform legislației naționale, echipamentele electrice și bateriile și acumulatorii care au ajuns la sfârșitul duratei de viață trebuie colectate separat și reciclate corespunzător în vederea protecției mediului.

Destinația de utilizare

Mașina se folosește pentru tunderea ierbii.

Zgomot

Nivelul de zgomot normal ponderat A determinat în conformitate cu EN60335-2-77:

Model DLM382

Nivel de presiune acustică (L_{pA}): 81 dB(A)

Nivel de putere acustică (L_{WA}): 91 dB (A)

Marjă de eroare (K): 3 dB(A)

Model DLM432

Nivel de presiune acustică (L_{pA}): 81 dB(A)

Nivel de putere acustică (L_{WA}): 92 dB (A)

Marjă de eroare (K): 3 dB(A)

NOTĂ: Valoarea (valorile) totală(e) a (ale) emisiilor de zgomot declarate a(u) fost măsurată(e) în conformitate cu o metodă de test standard și poate (pot) fi utilizată(e) pentru compararea unei unelte cu alta.

NOTĂ: Valoarea (valorile) totală(e) a (ale) emisiilor de zgomot declarate poate (pot) fi, de asemenea, utilizată(e) într-o evaluare preliminară a expunerii.

⚠️ AVERTIZARE: Purtați echipament de protecție pentru urechi.

⚠️ AVERTIZARE: Emisiile de zgomot în timpul utilizării efective a unelei electrice poate diferi de valoarea (valorile) nivelului declarat, în funcție de modul în care unealta este utilizată, în special ce fel de piesă este prelucrată.

⚠️ AVERTIZARE: Asigurați-vă că identificați măsurile de siguranță pentru a proteja operatorul, acestea fiind bazate pe o estimare a expunerii în condiții reale de utilizare (luând în considerare toate părțile ciclului de operare, precum timpii în care unealta a fost oprită, sau a funcționat în gol, pe lângă timpul de declanșare).

Vibrații

Valoarea totală a vibrațiilor (suma vectorilor tri-axiali) determinată conform EN60335-2-77:

Model DLM382

Emisie de vibrații (a_n): 2,5 m/s² sau mai puțin

Marjă de eroare (K): 2,0 m/s²

Model DLM432

Emisie de vibrații (a_n): 2,5 m/s² sau mai puțin

Marjă de eroare (K): 1,5 m/s²

NOTĂ: Valoarea (valorile) totală(e) a (ale) nivelului de vibrații declarat a (au) fost măsurată(e) în conformitate cu o metodă de test standard și poate (pot) fi utilizată(e) pentru compararea unei unelte cu alta.

NOTĂ: Valoarea (valorile) totală(e) a (ale) nivelului de vibrații declarat poate (pot) fi, de asemenea, utilizată(e) într-o evaluare preliminară a expunerii.

⚠️ AVERTIZARE: Nivelul de vibrații în timpul utilizării efective a unelei electrice poate diferi de valoarea (valorile) nivelului declarat, în funcție de modul în care unealta este utilizată, în special ce fel de piesă este prelucrată.

⚠️ AVERTIZARE: Asigurați-vă că identificați măsurile de siguranță pentru a proteja operatorul, acestea fiind bazate pe o estimare a expunerii în condiții reale de utilizare (luând în considerare toate părțile ciclului de operare, precum timpii în care unealta a fost oprită, sau a funcționat în gol, pe lângă timpul de declanșare).

Declarație de conformitate CE

Nu mai pentru țările europene

Declarația de conformitate CE este inclusă ca Anexa A în acest manual de instrucțiuni.

AVERTIZĂRI DE SIGURANȚĂ

INSTRUCȚIUNI IMPORTANTE PRIVIND SIGURANȚA

⚠️ AVERTIZARE: Citiți toate avertismentele de siguranță și toate instrucțiunile. Nerespectarea acestor avertismente și instrucțiuni poate avea ca rezultat electrocutarea, incendiul și/sau rănirea gravă.

Păstrați toate avertismentele și instrucțiunile pentru consultări ulterioare.

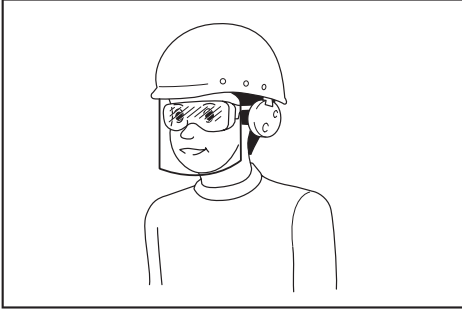
Instruire

1. Citiți cu atenție instrucțiunile. Familiarizați-vă cu comenzile și cu utilizarea corectă a mașinii de tuns iarba.
2. Nu permiteți niciodată copiilor sau persoanelor care sunt nefamiliarizate cu aceste instrucțiuni să utilizeze mașina de tuns iarba. Reglementările locale pot restricționa vârsta operatorului.
3. Nu folosiți mașina de tuns iarba când în apropiere se află copiii sau animale de companie.
4. Amintiți-vă că operatorul sau utilizatorul este responsabil de accidente sau situațiile periculoase antrenate de utilizarea mașinii, cauzate altor persoane sau bunurilor acestora.
5. Copiii trebuie supravegheați, pentru a vă asigura că aceștia nu au acces la mașina de tuns iarba.
6. Stare fizică – nu utilizați mașina de tuns iarba atunci când vă aflați sub influența drogurilor, alcoolului sau a oricărui medicament.

Pregătire

1. În timpul folosirii mașinii de tuns iarba, purtați întotdeauna încălțăminte solidă și pantaloni lungi. Nu utilizați mașina de tuns iarba cu picioarele goale sau cu sandale. Evitați să purtați bijuterii sau articole de îmbrăcăminte largi sau cu cordoane sau șnururi care atarnă. Acestea ar putea fi prinse în piesele mobile.
2. Înainte de utilizare, verificați întotdeauna vizual mașina de tuns iarba pentru a vedea dacă apărătorile sau protecțiile sunt deteriorate, lipsesc sau sunt fixate necorespunzător.
3. Asigurați-vă că în zonă nu se află alte persoane înainte de a tunde iarba. Opriti mașina de tuns iarba dacă întră o persoană în zonă.
4. Nu introduceți cheia de blocare în mașina de tuns iarba până când aceasta nu este gata de utilizare.

- Purtați întotdeauna ochelari de protecție pentru a vă proteja ochii contra rănirii atunci când utilizați uneltele electrice. Ochelarii trebuie să fie în conformitate cu ANSI Z87.1 în S.U.A., EN 166 în Europa sau AS/NZS 1336 în Australia/ Noua Zeelandă. În Australia/Noua Zeelandă se solicită în mod legal și purtarea unei măști obligatorii pentru a vă proteja fața.



Întră în responsabilitatea angajatorului să impună utilizarea unor echipamente de protecție și siguranță adecvate de către utilizatorii mașinii și de către celelalte persoane din imediata apropiere a zonei de lucru.

- Înainte de folosire, verificați atent dacă pânzele sau șuruburile pânzelor prezintă fisuri sau deteriorări. Înlocuiți imediat pânzele sau șuruburile pânzelor fisurate ori deteriorate.
- Înlăturați corpurile străine, cum ar fi pietrele, sârmele, sticlele, oasele și bețele mari, din zona de lucru înainte de a tunde iarba pentru a preveni vătămările personale sau deteriorarea mașinii.
- Obiectele lovite de pânza mașinii de tuns iarba pot cauza leziuni severe persoanelor. Gazonul trebuie întotdeauna examinat cu atenție și degajat de orice obiecte înainte de fiecare operațiune de tuns iarba.
- Aveți grijă la gropi, șanțuri, denivelări, pietre sau alte obiecte ascunse. Terenul denivelat poate provoca alunecarea și accidente prin cădere. Iarba înaltă poate să ascundă obstacole.

Operarea

- Nu vă întindeți excesiv. Mențineți-vă permanent echilibrul. Asigurați-vă întotdeauna echilibrul atunci când vă deplasați pe suprafețe înclinate. Nu alergați niciodată.
- Opriti mașina de tuns iarba, scoateți cheia de blocare și asigurați-vă că toate piesele aflate în mișcare s-au oprit complet:
 - ori de câte ori lăsați mașina nesupravegheată,
 - înainte de a elimina blocajele sau de a des-funda jgheabul,
 - înainte de a controla, curăța sau lucra cu mașina,
 - după ce ați lovit un obiect străin. Verificați mașina pentru a detecta eventuale deteriorări și efectuați reparațiile necesare înainte de a repune în funcțiune și utiliza mașina:
 - de fiecare dată când mașina de tuns iarba începe să vibreze anormal.
- Nu operați niciodată mașina cu apărătorile sau protecțiile defecte sau fără dispozitivele de siguranță, cum ar fi deflectorii și/sau separatorul de iarbă, montate.
- Evitați utilizarea mașinii de tuns iarba în condiții de vreme nefavorabilă, în special când există riscul de descărcări electrice.
- Purtați permanent ochelari de protecție și încălțăminte rezistentă atunci când utilizați mașina de tuns iarba.
- Operați mașina de tuns iarba doar la lumina zilei sau la o lumină artificială puternică.
- Porniți mașina de tuns iarba cu atenție conform instrucțiunilor, cu picioarele la distanță de lamă(e).
- Aveți grijă să nu vă răniți picioarele și mâinile cu pânzele mașinii de tuns iarba.
- Asigurați-vă întotdeauna că orificiile de ventilație nu conțin reziduuri.
- Tundeți iarba de-a lungul pantei, niciodată în sus sau în jos. Acordați atenție maximă atunci când schimbați direcția pe suprafețele înclinate. Nu tundeți iarba pe o pantă excesiv de abruptă.
- Procedați cu maximă atenție atunci când vă deplasați în marșarier sau când trageți mașina spre dumneavoastră.
- Fixați bine lama/lamele dacă mașina trebuie înclinată pentru transport atunci când traversați suprafețe fără iarbă și când transportați mașina de tuns la sau de la locul în care va fi utilizată.
- Nu înclinați mașina atunci când porniți motorul, decât dacă mașina trebuie înclinată pentru a porni. În acest caz, nu o înclinați mai mult decât este strict necesar și ridicați numai partea care se află la distanță de operator. Aveți grijă întotdeauna ca ambele mâini să fie în poziția de operare înainte de a pune din nou mașina de tuns iarba pe sol.
- Nu apropiați mâinile sau picioarele și nu le țineți sub piesele rotative. Păstrați în permanență distanță față de orificiul de descărcare.
- Nu transportați mașina în timp ce este în funcțiune.
- Evitați operarea mașinii pe iarba udă.
- Nu utilizați niciodată mașina de tuns iarba în ploaie.
- Țineți întotdeauna strâns mânerul.
- Nu apucați lamele de tăiere sau muchiile de tăiere expuse atunci când ridicați sau țineți mașina de tuns iarba.
- Țineți mâinile și picioarele la distanță de lamele rotative. Atenție - Lamele se rotesc după ce opriti mașina.
- Întrerupeți imediat activitatea dacă observați orice lucru neobișnuit. Opriti mașina de tuns iarba și scoateți cheia de blocare. Apoi inspectați mașina.
- Nu încercați niciodată să reglați înălțimea de tăiere în timp ce mașina funcționează, în cazul în care aceasta dispune de o funcție de reglare a înălțimii.

23. **Eliberați pârghia de comutare și așteptați să înceteze rotația pânzelor înainte de a traversa alei, cărări, drumuri și orice zone acoperite cu prundiș. De asemenea, scoateți cheia de blocare dacă lăsați mașina nesupravegheată, dacă vă aplecați să ridicați sau să îndepărtați ceva din drum sau din orice alt motiv care v-ar putea distra atenția de la ceea ce faceți.**
24. **În cazul în care mașina de tuns iarba lovește un obiect străin, urmați acești pași:**
 - **Oprțiți mașina, eliberați levierul schimbătorului de viteză și așteptați până când lama se oprește complet.**
 - **Scoateți cheia de blocare și cartușul acumulatorului.**
 - **Inspectați cu atenție mașina de tuns iarba pentru a detecta eventuale deteriorări.**
 - **Înlocuiți lama dacă s-a deteriorat în vreun fel. Reparați orice defecțiune înainte de a reporni și continua operarea mașinii de tuns iarba.**
25. **Nu porniți mașina atunci când vă aflați în fața orificiului de descărcare.**
26. **Dacă mașina începe să vibreze anormal (verificați imediat)**
 - **inspectați pentru a detecta eventuale deteriorări,**
 - **înlocuiți sau reparați orice piese deteriorate,**
 - **verificați prezența și strângeți orice piese slăbite.**
27. **Nu îndreptați niciodată materialul evacuat spre alte persoane. Evitați evacuarea materialului pe un perete sau un alt obstacol. Materialul poate ricoșa înspre operator. Oprțiți pânza atunci când treceți peste suprafețe acoperite cu pietriș.**
28. **Nu trageți mașina de tuns iarba în sens invers decât dacă este absolut necesar. Dacă trebuie să trageți mașina de tuns iarba în sens invers pentru a reveni de lângă un gard sau alt obstacol similar, priviți în jos și în spate înaintea și în timpul deplasării cu spatele.**
29. **Oprțiți motorul și așteptați până când pânza se oprește complet înainte de a scoate opritorul pentru iarba. Aveți grijă la pânze, care se rotesc liber după oprire.**

Întreținere și depozitare

1. **Pentru siguranță, înlocuiți componentele uzate sau deteriorate. Utilizați doar piese de schimb și accesorii originale.**
2. **Verificați și întrețineți periodic mașina de tuns iarba.**
3. **Dacă nu o utilizați, depozitați mașina de tuns iarba departe de raza de acțiune a copiilor.**
4. **Mentțineți piulițele, bolturile și șuruburile strânse pentru a vă asigura că echipamentul este în bună stare de funcționare.**
5. **Verificați frecvent coșul pentru iarba, pentru a detecta semne de uzură sau deteriorare. Pentru depozitare, asigurați-vă întotdeauna că ați golit coșul pentru iarba. Înlocuiți un coș pentru iarba uzat cu un nou coș de schimb din fabrică pentru siguranță.**
6. **Folosiți numai lamele originale ale producătorului specificate în acest manual.**
7. **Aveți grijă în timpul reglării mașinii pentru a preveni prinderea degetelor între lamele în mișcare și piesele fixe ale mașinii.**

8. **Nu spălați mașina cu furtunul; evitați pătrunderea apei în motor și la conexiunile electrice.**
9. **Verificați la intervale frecvente dacă bolțul de montare al lamei este strâns corespunzător.**
10. **Lăsați întotdeauna mașina să se răcească înainte de a o depozita.**
11. **Când efectuați operațiuni de service asupra lamelor, rețineți că, deși sursa de alimentare este oprită, lamele pot fi mișcate în continuare.**
12. **Nu scoateți sau modificați niciodată dispozitivele de siguranță. Verificați periodic funcționarea corespunzătoare a acestora. Nu efectuați niciodată activități care ar putea modifica funcționarea recomandată a unui dispozitiv de siguranță sau ar putea reduce protecția furnizată de un dispozitiv de siguranță.**

Utilizarea și îngrijirea acumulatorului mașinii

1. **Efectuați reincărcarea numai cu încărcătorul specificat de producător. Un încărcător adecvat pentru un anumit tip de acumulator poate prezenta risc de incendiu dacă este utilizat cu alt tip de acumulator.**
2. **Folosiți mașinile electrice numai cu acumulatorii special destinați acestora. Utilizarea altor acumulatori poate prezenta risc de rănire și de incendiu.**
3. **Când nu folosiți cartușul de acumulatori, țineți-l la distanță de obiecte metalice precum agrafe de birou, monede, chei, cuie, șuruburi sau alte obiecte metalice mici, ce pot constitui o legătură între cele două borne. Scurtcircuitarea bornelor acumulatorului poate provoca arsuri sau incendii.**
4. **În condiții extreme, lichidul poate fi eliminat din acumulator; evitați contactul cu acesta. Dacă intrați în contact accidental, clătiți bine cu apă zona afectată. Dacă lichidul intră în contact cu ochii, consultați și un medic. Lichidul eliminat din acumulator poate provoca iritații sau arsuri.**
5. **Nu utilizați un acumulator sau o unealtă care este avariată sau modificată. Bateriile avariate sau modificate pot prezenta comportament imprevizibil ce poate cauza incendii, explozii sau risc de rănire.**
6. **Nu expuneți un acumulator sau o unealtă la foc sau la temperaturi excesive. Expunerea la foc sau la temperaturi mai mari de 130 °C poate cauza explozii.**
7. **Urmați toate instrucțiunile de încărcare și nu încărcați acumulatorul sau unealta la temperaturi din afara intervalului specificat în instrucțiuni. Încărcarea incorectă sau la temperaturi din afara intervalului specificat poate cauza deteriorarea bateriei și creșterea riscului de incendiu.**

Siguranța electrică și a acumulatorului

1. **Nu aruncați acumulatorul(ii) în foc. Elementul poate exploda. Consultați codurile locale pentru posibile instrucțiuni speciale privind eliminarea.**
2. **Nu deschideți și nu dezmembrați acumulatorul(ii). Electrolitul eliberat este coroziv și poate cauza afecțiuni ale pielii și ochilor. Acesta poate fi toxic dacă este înghițit.**

3. Nu încărcăți bateria în ploaie sau în zone cu umezeală.
4. Nu încărcăți acumulatorul în exterior.
5. Nu manipulați încărcătorul, inclusiv fișa și bornele acestuia, cu mâinile ude.
8. Nu introduceți cuie în cartușul acumulatorului, nu îl tăiați, striviți, aruncați sau scăpați și nu îl loviți cu un obiect dur. Astfel de acțiuni pot provoca incendii, căldură excesivă sau explozii.

Service

1. Mașina electrică trebuie să fie reparată de un expert, folosind piese identice de schimb. Astfel se mențin siguranța și fiabilitatea mașinii electrice.
2. Nu reparați niciodată acumulatorii avariate. Repararea acumulatorilor trebuie efectuată numai de către producător sau de furnizorii de service autorizați.

PĂSTRAȚI ACESTE INSTRUCȚIUNI.

⚠️AVERTIZARE: NU permiteți comodității și familiarizării cu produsul (obținute prin utilizare repetată) să înlocuiască respectarea strictă a normelor de securitate pentru acest produs.

FOLOSIREA INCORECTĂ sau nerespectarea normelor de securitate din acest manual de instrucțiuni poate provoca vătămări corporale grave.

Instrucțiuni importante privind siguranța pentru cartușul acumulatorului

1. Înainte de a folosi cartușul acumulatorului, citiți toate instrucțiunile și atenționările de pe (1) încărcătorul acumulatorului, (2) acumulator și (3) produsul care folosește acumulatorul.
2. Nu dezasamblați și nu interveniți asupra cartușului acumulatorului. Acest lucru poate cauza incendii, căldură excesivă sau explozii.
3. Dacă timpul de funcționare s-a redus excesiv, întrerupeți imediat funcționarea. Aceasta poate prezenta risc de supraîncălzire, posibile arsuri și chiar explozie.
4. Dacă electrolitul pătrunde în ochi, clătiți bine ochii cu apă curată și consultați imediat un medic. Există risc de orbire.
5. Nu scurtcircuitați cartușul acumulatorului:
 - (1) Nu atingeți bornele cu niciun material conductor.
 - (2) Evitați depozitarea cartușului acumulatorului la un loc cu alte obiecte metalice cum ar fi cuie, monede etc.
 - (3) Nu expuneți cartușul acumulatorului la apă sau ploaie.
6. Nu depozitați și nu utilizați mașina și cartușul acumulatorului în locuri în care temperatura poate atinge sau depăși 50 °C (122 °F).
7. Nu incinerăți cartușul acumulatorului chiar dacă acesta este grav deteriorat sau complet uzat. Cartușul acumulatorului poate exploda în foc.
9. Nu utilizați un acumulator deteriorat.
10. Acumulatorii Li-Ion încorporați se supun cerințelor Legiștilor privind substanțele periculoase. Pentru transporturi comerciale, efectuate de exemplu de către părți terțe, expeditori, trebuie respectate cerințele speciale de ambalare și etichetare. Pentru pregătirea articolului care urmează să fie expediat, este necesară consultarea unui expert în materiale periculoase. Vă rugăm să respectați, de asemenea, reglementările naționale, care pot fi mai detaliate. Izolați sau acoperiți contactele deschise și împachetați acumulatorul în așa fel încât să nu se poată mișca în ambalaj.
11. Atunci când eliminați la deșeurile cartușul acumulatorului, scoateți-l din mașină și eliminați-l într-un loc sigur. Respectați normele naționale privind eliminarea la deșeurile a acumulatorului.
12. Utilizați acumulatorii numai cu produsele specificate de Makita. Instalarea acumulatorilor în produse neconforme poate cauza incendii, căldură excesivă, explozii sau scurgeri de electrolit.
13. Dacă mașina nu este utilizată o perioadă lungă de timp, acumulatorul trebuie scos din acesta.
14. În timpul utilizării și după aceea, cartușul acumulatorului se poate încălzi, ceea ce poate cauza arsuri sau arsuri la temperaturi scăzute. Fiți atenți la manipularea cartușelor de acumulator atunci când sunt fierbinți.
15. Nu atingeți borna mașinii imediat după utilizare, întrucât se poate încălzi foarte tare și poate provoca arsuri.
16. Nu lăsați să pătrundă așchii, praf sau pământ în borne, în orificii și în canelurile cartușului acumulatorului. Acest lucru poate duce la o performanță slabă sau poate cauza defectarea mașinii sau a cartușului acumulatorului.
17. Nu utilizați cartușul acumulatorului în apropierea liniilor electrice de înaltă tensiune, cu excepția cazului în care mașina suportă utilizarea în apropierea liniilor electrice de înaltă tensiune. Acest lucru poate duce la funcționarea necorespunzătoare sau la defectarea mașinii sau a cartușului acumulatorului.
18. Țineți acumulatorul la distanță de copii.

PĂSTRAȚI ACESTE INSTRUCȚIUNI.

⚠️ATENȚIE: Folosiți numai acumulatori Makita originali. Acumulatorii Makita care nu sunt originali și acumulatorii care au suferit modificări se pot aprinde, provocând incendii, leziuni corporale și daune. De asemenea, anulează garanția oferită de Makita pentru unealta și încărcătorul Makita.

Sfaturi pentru obținerea unei durate maxime de exploatare a acumulatorului

1. Încărcați cartușul acumulatorului înainte de a se descărca complet. Întrerupeți întotdeauna funcționarea mașinii și încărcați cartușul acumulatorului când observați o scădere a puterii mașinii.
2. Nu reîncărcați niciodată un acumulator complet încărcat. Supraîncărcarea va scurta durata de exploatare a acumulatorului.
3. Încărcați cartușul acumulatorului la temperatura camerei, între 10 °C - 40 °C (50 °F - 104 °F). Lăsați un acumulator fierbinte să se răcească înainte de a-l încărca.
4. Atunci când nu utilizați cartușul acumulatorului, scoateți-l din mașină sau din încărcător.
5. Încărcați cartușul acumulatorului în cazul în care nu a fost utilizat pe o perioadă mai lungă (mai mult de șase luni).

ASAMBLARE

⚠️ AVERTIZARE: Aveți grijă întotdeauna să scoateți cheia de blocare și cartușul de acumulator înainte de a efectua orice activitate cu mașina de tuns iarba. Dacă nu scoateți cheia de blocare și cartușul de acumulator, puteți suferi leziuni corporale grave din cauza pornirii accidentale.

⚠️ AVERTIZARE: Nu porniți niciodată mașina dacă aceasta nu este complet asamblată. Utilizarea mașinii care este asamblată numai parțial poate provoca accidentări grave cauzate de pornirea accidentală.

Instalarea capacului acumulatorului

⚠️ AVERTIZARE: Nu introduceți cheia de blocare și cartușul acumulatorului înainte de instalarea capacului acumulatorului. În caz contrar, există pericol de rănire gravă.

Montați complet capacul acumulatorului înainte de a folosi mașina. Capacul acumulatorului protejează mașina de tuns iarba și cartușul acumulatorului împotriva noroiului, murdăriei și apei.

1. Așezați capacul acumulatorului cu protuberanțele mașinii de tuns iarba aliniate cu orificiile capacului acumulatorului.

► **Fig.1:** 1. Proeminență 2. Orificiu 3. Capacul acumulatorului

2. Așezați-vă mâinile pe mijlocul capacului acumulatorului și apăsați-l.
- **Fig.2**

3. Înainte de prima utilizare, verificați dacă punctul de pivotare al capacului acumulatorului este atașat corect. Dacă capacul acumulatorului este montat corect, acesta nu se deschide până când nu se trage de pârghia de blocare a capacului acumulatorului.

► **Fig.3:** 1. Punct de pivotare 2. Pârghie de blocare a capacului de acumulator

Montarea mânerului

NOTĂ: Atunci când montați mâner, poziționați cablurile astfel încât acestea să nu se agațe în niciun obiect între mâner. Este posibil ca mașina să nu pornească dacă este deteriorat cablul.

1. Glisați ambele capete ale mânerului inferior în canelurile mașinii de tuns iarba, apoi strângeți la maximum șuruburile de strângere.

► **Fig.4:** 1. Șurub de strângere 2. Mâner inferior

2. Aliniați orificiile pentru șuruburi de pe mânerul superior și cel inferior. Prindeți-le cu șuruburile de strângere și cu piulițele.

► **Fig.5:** 1. Piuliță de strângere 2. Șurub de strângere

NOTĂ: Țineți cu fermitate mânerul superior astfel încât să nu vă scape din mână.

3. Atașați suporturile de mâner. Așezați cablul de alimentare ca în figură.

► **Fig.6:** 1. Suport

Scoaterea accesoriului de mulcire

Accesoriu opțional

1. Deschideți capacul posterior.

► **Fig.7:** 1. Capac posterior

2. Țineți accesoriul de mulcire de mâner, apoi trageți-l din corpul mașinii de tuns iarba, astfel cum se arată în imagine.

► **Fig.8:** 1. Accesoriu de mulcire 2. Mâner

Montarea coșului pentru iarba

1. Deschideți capacul posterior.

► **Fig.9:** 1. Capac posterior

2. Cuplați coșul pentru iarba pe tija mașinii de tuns iarba ca în figură.

► **Fig.10:** 1. Cârlig 2. Tijă 3. Coș pentru iarba

Montarea accesoriului de mulcire

Accesoriu opțional

1. Deschideți capacul posterior, iar apoi demontați coșul pentru iarba.

► **Fig.11:** 1. Capac posterior 2. Coș pentru iarba

2. Țineți accesoriul de mulcire de mâner, apoi montați-l pe corpul mașinii de tuns iarba, astfel cum se arată în imagine.

► **Fig.12:** 1. Accesoriu de mulcire 2. Mâner

DESCRIEREA FUNCȚIILOR

Instalarea sau scoaterea cartușului acumulatorului

⚠️ ATENȚIE: Întotdeauna opriți mașina înainte de montarea sau demontarea cartușului acumulatorului.

⚠️ ATENȚIE: Asigurați-vă că blocați capacul acumulatorului înainte de utilizare. În caz contrar, noroiul, murdăria sau apa pot cauza defectarea produsului sau a cartușului de acumulator.

⚠️ ATENȚIE: Introduceți întotdeauna complet cartușul acumulatorului, până când indicatorul roșu nu mai este vizibil. În caz contrar, acesta poate cădea accidental din mașină, provocând rănirea dumneavoastră sau a persoanelor din jur.

⚠️ ATENȚIE: Nu forțați cartușul acumulatorului la montare. Dacă acesta nu glisează ușor, înseamnă că a fost introdus incorect.

NOTĂ: Mașina nu funcționează doar cu un singur cartuș de acumulator.

Pentru montarea cartușului de acumulator:

1. Glisați pârghia de blocare a capacului de acumulator și deschideți capacul.

▶ **Fig.13:** 1. Capacul acumulatorului 2. Pârghie de blocare a capacului de acumulator

2. Aliniați limba de pe cartușul acumulatorului cu orificiul mașinii de tuns iarba, apoi glisați cartușul până când se fixează în poziție cu un clic.

▶ **Fig.14:** 1. Cartușul acumulatorului

3. Introduceți cheia de blocare în locul indicat în figură până la capăt.

▶ **Fig.15:** 1. Cheie de blocare

4. Închideți capacul de acumulator și apăsați pe el până când se cuplează cu pârghia de blocare.

Pentru demontarea cartușului de acumulator din mașina de tuns iarba:

1. Glisați pârghia de blocare a capacului de acumulator și deschideți capacul.

2. Trageți cartușul acumulatorului din mașină în timp ce glisați butonul de pe partea frontală a cartușului.

3. Scoateți cheia de blocare.

4. Închideți capacul de acumulator.

Sistem de protecție mașină/ acumulator

Mașina este prevăzută cu un sistem de protecție a mașinii/acumulatorului. Acest sistem întrerupe automat alimentarea motorului pentru a extinde durata de funcționare a mașinii și acumulatorului. Mașina se va opri automat în timpul funcționării dacă mașina sau acumulatorul se află într-una dintre situațiile de mai jos.

Protecție la suprasarcină

Când mașina este utilizată într-un mod care duce la un consum exagerat de curent, mașina se va opri automat fără nicio indicație. În această situație, opriți mașina și întrerupeți aplicația care a dus la suprasolicitarea mașinii. Apoi, reporniți mașina.

Protecție la supraîncălzire

Când mașina se supraîncălzeste, aceasta se oprește automat. Lăsați mașina să se răcească înainte de a o reporni.

Protecție la supradescărcare

Când capacitatea acumulatorului scade, mașina se oprește automat. Dacă produsul nu funcționează deși comutatoarele sunt acționate, scoateți acumulatorii din mașină și încărcați-i.

Indicarea capacității rămase a acumulatorului

▶ **Fig.16:** 1. Indicator acumulator

Când capacitatea rămasă a acumulatorului scade, indicatorul luminează intermitent pe partea corespunzătoare a acumulatorului. Dacă continuați să o utilizați, mașina se oprește și indicatorul acumulatorului luminează timp de aproximativ 10 de secunde. În această situație, încărcați cartușul acumulatorului.

Indicarea capacității rămase a acumulatorului

Numai pentru cartușe de acumulator cu indicator

▶ **Fig.17:** 1. Lămpi indicatoare 2. Buton de verificare

Apăsați butonul de verificare de pe cartușul acumulatorului, astfel încât să se indice capacitățile rămase ale acumulatorului. Lămpile indicatorului vor lumina timp de câteva secunde.

Lămpi indicatoare			Capacitate rămasă
Iluminat	Oprit	Iluminare intermitentă	
■	□	▨	între 75% și 100%
■	■	□	între 50% și 75%
■	■	□	între 25% și 50%
■	□	□	între 0% și 25%
▨	□	□	Încărcați acumulatorul.
■	■	□	Este posibil ca acumulatorul să fie defect.
□	□	■	

NOTĂ: În funcție de condițiile de utilizare și temperatura ambientală, indicația poate fi ușor diferită de capacitatea reală.

Acționarea întrerupătorului

⚠️ AVERTIZARE: Înainte de a instala cartușul acumulatorului, verificați întotdeauna dacă pârghia de comutare funcționează corect și revine în poziția inițială după ce este eliberată. Utilizarea mașinii cu un comutator care nu funcționează corect poate duce la pierderea controlului și la accidente grave.

NOTĂ: Mașina de tuns iarba nu pornește fără a apăsa pe butonul de comutare chiar dacă levierul schimbătorului de viteză este tras.

NOTĂ: Este posibil ca mașina de tuns iarba să nu pornească din cauza supraîncărcării atunci când încercați să tundeți iarba înălțată sau deasă dintr-o dată. În acest caz, măriți înălțimea de tundere.

Această mașină de tuns iarba este prevăzută cu un comutator de interblocare și un comutator cu mâner. Dacă observați ceva neobișnuit la oricare dintre aceste comutatoare, opriți imediat funcționarea și solicitați verificarea acestora de către cel mai apropiat Centru de service autorizat Makita.

1. Montați cartușele de acumulator. Introduceți cheia de blocare în comutatorul de interblocare și apoi închideți capacul acumulatorului.

► **Fig.18:** 1. Cartușul acumulatorului 2. Cheie de blocare

2. Țineți apăsat butonul de comutare.

3. Prindeți mânerul superior și trageți de pârghia de comutare.

► **Fig.19:** 1. Buton comutator 2. Levier de comutare

4. Eliberați butonul de comutare de îndată ce motorul începe să funcționeze. Mașina va continua să funcționeze până când eliberați pârghia de comutare.

5. Eliberați pârghia de comutare pentru a opri motorul.

Reglarea înălțimii de tundere a ierbii

⚠️ AVERTIZARE: Nu țineți niciodată mâna sau piciorul sub mașină atunci când reglați înălțimea de tundere a ierbii.

⚠️ AVERTIZARE: Asigurați-vă întotdeauna că pârghia se potrivește corect în canelură înainte de fundonare.

Înălțimea de tundere a ierbii poate fi reglată în intervalul 20 mm și 75 mm.

1. Scoateți cheia de blocare.

2. Trageți spre dumneavoastră maneta de reglare a înălțimii de tundere a ierbii și deplasați-o până la înălțimea de tundere dorită.

► **Fig.20:** 1. Manetă de reglare a înălțimii de tundere a ierbii

NOTĂ: Figurile care ilustrează înălțimea de tundere a ierbii se folosesc doar ca indicație orientativă. În funcție de iarba sau de sol, înălțimea efectivă a ierbii poate fi ușor diferită de înălțimea setată.

NOTĂ: Încercați ca test să tundeți iarba într-un loc mai puțin vizibil pentru a obține înălțimea dorită.

Indicator nivel iarbă

► **Fig.21:** 1. Indicator nivel iarbă

Indicatorul nivelului ierbii indică volumul ierbii tunse.

- Când coșul pentru iarbă nu este plin, indicatorul se mișcă în timpul operației de tundere a ierbii.
- Când coșul pentru iarbă este plin, indicatorul nu se mișcă în timpul operației de tundere a ierbii. În acest caz, opriți imediat tunderea ierbii și goliiți coșul. După golirea coșului, curățați-l astfel încât aerul să circule prin ochiurile acestuia.

NOTĂ: Acest indicator este un ghidaj aproximativ. În funcție de condițiile din interiorul coșului, este posibil ca acest indicator să nu funcționeze corect.

Utilizarea accesoriului de mulcire

Accesoriu opțional

Accesorii de mulcire vă permite să readuceți iarba tăiată pe sol fără a strânge iarba tăiată în coșul pentru iarbă. Atunci când utilizați mașina cu accesoriul de mulcire, aveți grijă să demontați coșul pentru iarbă.

NOTĂ: Atunci când utilizați mașina cu accesoriul de mulcire, asigurați-vă că lungimea totală a ierbii după tăiere este de cel puțin 30 mm, iar lungimea de tăiere este de cel mult 15 mm.

► **Fig.22:** (1) 30 mm (2) 15 mm

OPERAREA

Tunderea ierbii

⚠️ AVERTIZARE: Înainte de a tunde iarba, degajați zona de utilizare de bețe și pietre. De asemenea, îndepărtați în prealabil eventualele buruieni din zona de utilizare.

⚠️ AVERTIZARE: Purtați întotdeauna ochelari de protecție speciali sau ochelari de protecție cu apărători laterale atunci când operați mașina.

⚠️ ATENȚIE: Dacă iarba tăiată sau un obiect străin blochează mașina de tuns la interior, asigurați-vă că scoateți cheia de blocare și cartușul acumulatorului și că purtați mănuși înainte de a îndepărta iarba sau obiectul străin.

NOTĂ: Folosiți această mașină numai pentru tunderea gazonului. Nu tundeți buruieni cu această mașină.

► **Fig.23**

Țineți ferm mânerul cu ambele mâini în timpul lucrului.

Viteza de lucru orientativă este de circa 1 metru la 4 secunde.

► **Fig.24**

Muchiile exterioare ale roților din față arată care este lățimea de tundere. Utilizând muchiile exterioare ale roților din față drept ghid, tundeți iarba în benzi. Suprapuneți benzile cu o jumătate până la o treime din banda anterioară pentru a tunde uniform gazonul.

► **Fig.25:** 1. Lățime de tundere 2. Zonă de suprapunere 3. Muchie exterioară

Schimbați direcția de tundere de fiecare dată pentru ca modelul ierbii să nu se formeze într-o singură direcție.

► Fig.26

Verificați periodic cantitatea de iarbă din coș. Goliți coșul înainte de a se umple. Înaintea fiecărei verificări periodice, aveți grijă să opriți mașina de tuns iarba și să scoateți cheia de blocare și cartușul de acumulator.

NOTĂ: Folosirea mașinii de tuns iarba cu un coș pentru iarbă plin nu permite rotirea lină a pânzei și plasează o sarcină suplimentară asupra motorului, ceea ce poate cauza avariarea acestuia.

Tunderea unui gazon cu iarbă înaltă

Nu încercați să tăiați iarba înaltă dintr-o singură încercare. În schimb, tundeți-o în mai multe etape. Lăsați o zi sau două între tunderi ca firele de iarbă să ajungă la aceeași înălțime.

NOTĂ: Tunderea ierbii înalte la o înălțime mică dintr-o singură încercare poate cauza ofilirea ierbii. De asemenea, iarba tăiată se poate bloca în mașină.

Golirea coșului pentru iarbă

AVERTIZARE: Pentru a reduce riscul de accident, verificați regulat coșul pentru iarbă pentru a detecta eventuale defecțiuni sau rezistență slăbită. Înlocuiți coșul pentru iarbă dacă este necesar.

1. Eliberați pârghia de comutare.
2. Scoateți cheia de blocare.
3. Deschideți capacul posterior și scoateți coșul pentru iarbă ținându-l de mâner.
► Fig.27: 1. Capac posterior 2. Mâner
4. Goliți coșul pentru iarbă.

ÎNȚREȚINERE

AVERTIZARE: Aveți întotdeauna grijă să scoateți cheia de blocare și cartușul acumulatorului din mașină înainte de depozitarea ori transportarea acesteia, sau înainte de a încerca să efectuați o inspecție sau o activitate de întreținere.

AVERTIZARE: Scoateți întotdeauna cheia de blocare atunci când nu folosiți mașina. Păstrați cheia de blocare într-un loc sigur și nu la îndemâna copiilor.

AVERTIZARE: Purtați mănuși atunci când efectuați o inspecție sau activitate de întreținere.

AVERTIZARE: Purtați întotdeauna ochelari de protecție speciali sau ochelari de protecție cu apărători laterale atunci când efectuați o inspecție sau o activitate de întreținere.

NOTĂ: Nu utilizați niciodată gazolină, benzină, diluant, alcool sau alte substanțe asemănătoare. În caz contrar, pot rezulta decolorări, deformări sau fisuri.

Pentru a menține SIGURANȚA și FIABILITATEA produsului, reparațiile și orice alte lucrări de întreținere sau reglare trebuie executate de centre de service Makita autorizate sau proprii, folosind întotdeauna piese de schimb Makita.

Întreținere

1. Scoateți cheia de blocare. Păstrați-o într-un loc sigur și nu la îndemâna copiilor.
2. Curățați mașina de tuns iarba numai cu o lavetă umedă. Nu pulverizați și nu turnați apă pe mașina de tuns iarba în timpul curățării.
3. Întoarceți mașina pe o parte și curățați bucățile de iarbă tăiată care s-au acumulat pe partea de dedesubt a punții mașinii.
4. Verificați dacă toate piulițele, bolțurile, buloanele, șuruburile, dispozitivele de fixare etc. sunt bine strânse.
5. Inspectați piesele mobile pentru a detecta eventuale deteriorări, rupturi și semne de uzură. Piesele deteriorate sau lipsă trebuie să fie reparate sau înlocuite.

Depozitare

AVERTIZARE: Atunci când transportați sau depozitați mașina, nu țineți de mânerul pliate, ci de mânerul frontal al mașinii. Dacă țineți de mânerul pliate, dvs. vă puteți răni grav sau mașina se poate defecta.

Înainte de depozitarea mașinii de tuns iarba, scoateți cartușul acumulatorului și cheia de blocare. Depozitați mașina în interior, într-un loc uscat, răcoros și încluiat. Nu depozitați mașina de tuns iarba și încărcătorul în locuri în care temperatura poate atinge sau depăși 40 °C.

► Fig.28: 1. Mâner frontal 2. Mâner posterior

1. Slăbiți șuruburile de strângere și extindeți mânerul inferior în ambele părți. Deplasați mânerul în față. În acest moment, țineți strâns mânerul inferior, astfel încât acesta să nu cadă în partea laterală a mașinii.
► Fig.29: 1. Șurub de strângere 2. Mâner inferior
2. Slăbiți piulițele de strângere și pivotați mânerul superior înapoi până când se extinde în ambele părți.
► Fig.30: 1. Piuliță de strângere 2. Mâner superior
3. Depozitați coșul pentru iarbă între mâner și corpul mașinii de tuns iarba.
► Fig.31: 1. Coș pentru iarbă

NOTĂ: Când așezați mașina în poziție verticală, nu țineți de mâner, ci folosiți mânerul frontal al mașinii.

Demontarea sau montarea pânzei

AVERTIZARE: Scoateți întotdeauna cheia de blocare și cartușul de acumulator atunci când montați sau demontați lama. Dacă nu scoateți cheia de blocare și cartușul de acumulator, puteți suferi leziuni corporale grave.

AVERTIZARE: Lama își continuă mișcarea inertială timp de câteva secunde după eliberarea comutatorului. Nu efectuați nicio operațiune până când lama nu se oprește complet.

AVERTIZARE: Purtați întotdeauna mănuși atunci când manipulați lama.

Scoaterea pânzei mașinii de tuns iarba

Pentru DLM382

1. Așezați mașina de tuns iarba pe o parte, astfel încât maneta de reglare a înălțimii de tundere a ierbii să fie plasată pe partea de sus.

2. Pentru a bloca rotirea pânzei, introduceți o șurubelniță sau o unealtă asemănătoare într-un orificiu de pe corpul mașinii de tuns iarba.

3. Slăbiți bolțul în sens anti-orar cu o cheie.

► **Fig.32:** 1. Pânza mașinii de tuns iarba

2. Șurubelniță 3. Cheie

4. Scoateți pe rând șurubul și pânza.

► **Fig.33:** 1. Suportul pânzei 2. Pânza mașinii de tuns iarba 3. Șurub

Pentru DLM432

1. Așezați mașina de tuns iarba pe o parte, astfel încât maneta de reglare a înălțimii de tundere a ierbii să fie plasată pe partea de sus.

2. Pentru a bloca rotirea pânzei, introduceți o șurubelniță sau o unealtă asemănătoare într-un orificiu de pe corpul mașinii de tuns iarba.

3. Slăbiți bolțul în sens anti-orar cu o cheie.

► **Fig.34:** 1. Pânza mașinii de tuns iarba

2. Șurubelniță 3. Cheie

4. Scoateți pe rând bolțul, flanșa exterioră, pânza mașinii și flanșa interioară.

► **Fig.35:** 1. Flanșă interioară 2. Pânza mașinii de tuns iarba 3. Flanșă exterioră 4. Șurub

Montarea pânzei mașinii de tuns iarba

Pentru a instala pânza, executați în ordine inversă operațiile de demontare.

⚠️AVERTIZARE: Montați pânza mașinii de tuns iarba cu grijă. Are o față și un dos. Poziționați pânza astfel încât săgeata care indică direcția de rotație să fie orientată spre exterior.

⚠️AVERTIZARE: Strângeți cu putere bolțul în sens orar pentru a fixa lama.

⚠️AVERTIZARE: Verificați dacă pânza mașinii de tuns iarba și toate componentele de fixare sunt montate corect și strânse bine.

⚠️AVERTIZARE: Atunci când înlocuiți lamele, respectați instrucțiunile din acest manual.

DEPANARE

Înainte de a solicita reparații, efectuați mai întâi propria inspecție. În cazul în care găsiți o problemă care nu este explicată în manual, nu încercați să demontați echipamentul. În schimb, adresați-vă Centrelor de service autorizate Makita, utilizând întotdeauna piese de schimb Makita pentru reparații.

Stare de anormalitate	Cauză probabilă (defecțiune)	Remediu
Mașina de tuns iarba nu pornește.	Două cartușe de acumulator nu sunt montate.	Montați cartușele de acumulator încărcate.
	Problemă cu bateria (tensiune scăzută)	Reîncărcați cartușul acumulatorului. Dacă reîncărcarea nu este eficientă, înlocuiți cartușul acumulatorului.
	Cheia de blocare nu este introdusă.	Introduceți cheia de blocare.
Motorul se oprește din funcționare după puțin timp.	Nivelul de încărcare al acumulatorului este redus.	Reîncărcați cartușul acumulatorului. Dacă reîncărcarea nu este eficientă, înlocuiți cartușul acumulatorului.
	Înălțimea de tăiere setată este prea joasă.	Creșteți înălțimea de tăiere.
Motorul nu atinge turația maximă.	Cartușul acumulatorului este instalat necorespunzător.	Montați cartușul de acumulator în modul descris în acest manual.
	Puterea acumulatorului se reduce.	Reîncărcați cartușul acumulatorului. Dacă reîncărcarea nu este eficientă, înlocuiți cartușul acumulatorului.
	Sistemul de acționare nu funcționează corect.	Solicitați centrului de service autorizat local efectuarea reparațiilor.
Pânza mașinii de tuns iarba nu se rotește: ⇒ opriți imediat mașina de tuns iarba!	Un obiect străin, precum o creangă, s-a înțepenit în apropiere de lamă.	Îndepărtați obiectul străin.
	Sistemul de acționare nu funcționează corect.	Solicitați centrului de service autorizat local efectuarea reparațiilor.
Vibrații anormale: ⇒ opriți imediat mașina de tuns iarba!	Lama este dezechilibrată sau uzată excesiv sau neuniform.	Înlocuiți lama.

ACCESORII OPȚIONALE

⚠️ ATENȚIE: Folosiți accesoriile sau piesele auxiliare recomandate pentru mașina dumneavoastră Makita în acest manual. Utilizarea oricăror alte accesorii sau piese auxiliare poate prezenta risc de vătămare corporală. Utilizați accesoriile și piesele auxiliare numai în scopul destinat.

Dacă aveți nevoie de asistență sau de mai multe detalii referitoare la aceste accesorii, adresați-vă centrului local de service Makita.

- Pânza mașinii de tuns iarba
- Accesoriu de mulcire
- Acumulator și încărcător original Makita

NOTĂ: Unele articole din listă pot fi incluse ca accesorii standard în ambalajul de scule. Acestea pot diferi în funcție de țară.

TECHNISCHE DATEN

Modell:		DLM382	DLM432
Mähbreite (Messerdurchmesser)		380 mm	430 mm
Leerlaufdrehzahl		3.700 min ⁻¹	3.600 min ⁻¹
Teilenummer des Ersatz-Mähermessers		191D41-2	191D43-8
Abmessungen (L x B x H)	während des Betriebs	L: 1.380 mm bis 1.410 mm B: 450 mm H: 985 mm bis 1.005 mm	L: 1.435 mm bis 1.490 mm B: 460 mm H: 1.005 mm bis 1.045 mm
	bei Lagerung (ohne Graskorb)	860 mm x 450 mm x 475 mm	865 mm x 460 mm x 475 mm
Nennspannung		36 V Gleichstrom	
Nettogewicht		15,0 - 16,5 kg	15,4 - 17,1 kg

- Wir behalten uns vor, Änderungen der technischen Daten im Zuge der Entwicklung und des technischen Fortschritts ohne vorherige Ankündigung vorzunehmen.
- Die technischen Daten können von Land zu Land unterschiedlich sein.
- Das Gewicht kann abhängig von dem Aufsatz (den Aufsätzen), einschließlich des Akkus, unterschiedlich sein. Die leichteste und die schwerste Kombination, gemäß dem EPTA-Verfahren 01/2014, sind in der Tabelle angegeben.

Zutreffende Akkus und Ladegeräte

Akku	BL1815N / BL1820 / BL1820B / BL1830 / BL1830B / BL1840 / BL1840B / BL1850 / BL1850B / BL1860B
Ladegerät	DC18RC / DC18RD / DC18RE / DC18SD / DC18SE / DC18SF / DC18SH






- Einige der oben aufgelisteten Akkus und Ladegeräte sind je nach Ihrem Wohngebiet eventuell nicht erhältlich.

⚠️ WARNUNG: Verwenden Sie nur die oben aufgeführten Akkus und Ladegeräte. Bei Verwendung irgendwelcher anderer Akkus und Ladegeräte besteht Verletzungs- und/oder Brandgefahr.

⚠️ WARNUNG: Verwenden Sie keine verkabelte Stromversorgung, wie z. B. einen Akku-Adapter oder eine rückentragbare Akku-Bank, mit dieser Maschine. Anderenfalls kann das Kabel einer solchen Stromversorgung den Betrieb behindern und Personenschäden verursachen.

Symbole

Nachfolgend werden Symbole beschrieben, die für das Gerät verwendet werden können. Machen Sie sich unbedingt vor der Benutzung mit ihrer Bedeutung vertraut.

	Besondere Umsicht und Aufmerksamkeit erforderlich.
	Betriebsanleitung lesen.
	Gefahr durch herausgeschleuderte Objekte.
	Der Abstand zwischen dem Werkzeug und Umstehenden sollte mindestens 15 m betragen.
	Halten Sie niemals Ihre Hände und Füße in die Nähe des Messers unter dem Mäher. Die Messer drehen sich nach dem Ausschalten des Motors noch weiter.



Entfernen Sie den Sperrschlüssel, bevor Sie den Mäher überprüfen, einstellen, reinigen, warten, verlassen und lagern.



Ni-MH
Li-ion

Nur für EU-Länder
Werfen Sie Elektrogeräte oder Akkus nicht in den Hausmüll!

Unter Einhaltung der Europäischen Richtlinie über Elektro- und Elektronik-Altgeräte, Batterien, Akkus sowie verbrauchte Batterien und Akkus und ihre Umsetzung gemäß den Landesgesetzen müssen Elektrogeräte und Batterien bzw. Akkus, die das Ende ihrer Lebensdauer erreicht haben, getrennt gesammelt und einer umweltgerechten Recycling-Einrichtung zugeführt werden.

Vorgesehene Verwendung

Die Maschine ist für Rasenmähen vorgesehen.

Geräusch

Typischer A-bewerteter Geräuschpegel ermittelt gemäß EN60335-2-77:

Modell DLM382

Schalldruckpegel (L_{pA}): 81 dB (A)
Schalleistungspegel (L_{WA}): 91 dB (A)
Messunsicherheit (K): 3 dB (A)

Modell DLM432

Schalldruckpegel (L_{pA}): 81 dB (A)
Schalleistungspegel (L_{WA}): 92 dB (A)
Messunsicherheit (K): 3 dB (A)

HINWEIS: Der (Die) angegebene(n) Schallemissionswert(e) wurde(n) im Einklang mit der Standardprüfmethode gemessen und kann (können) für den Vergleich zwischen Werkzeugen herangezogen werden.

HINWEIS: Der (Die) angegebene(n) Schallemissionswert(e) kann (können) auch für eine Vorbewertung des Gefährdungsgrads verwendet werden.

⚠️ WARNUNG: Einen Gehörschutz tragen.

⚠️ WARNUNG: Die Schallemission während der tatsächlichen Benutzung des Elektrowerkzeugs kann je nach der Benutzungsweise des Werkzeugs, und speziell je nach der Art des bearbeiteten Werkstücks, von dem (den) angegebenen Wert(en) abweichen.

⚠️ WARNUNG: Identifizieren Sie Sicherheitsmaßnahmen zum Schutz des Benutzers anhand einer Schätzung des Gefährdungsgrads unter den tatsächlichen Benutzungsbedingungen (unter Berücksichtigung aller Phasen des Arbeitszyklus, wie z. B. Ausschalt- und Leerlaufzeiten des Werkzeugs zusätzlich zur Betriebszeit).

Schwingungen

Schwingungsgesamtwert (Drei-Achsen-Vektorsumme) ermittelt gemäß EN60335-2-77:

Modell DLM382

Schwingungsemission (a_n): 2,5 m/s² oder weniger
Messunsicherheit (K): 2,0 m/s²

Modell DLM432

Schwingungsemission (a_n): 2,5 m/s² oder weniger
Messunsicherheit (K): 1,5 m/s²

HINWEIS: Der (Die) angegebene(n) Vibrationsgesamtwert(e) wurde(n) im Einklang mit der Standardprüfmethode gemessen und kann (können) für den Vergleich zwischen Werkzeugen herangezogen werden.

HINWEIS: Der (Die) angegebene(n) Vibrationsgesamtwert(e) kann (können) auch für eine Vorbewertung des Gefährdungsgrads verwendet werden.

⚠️ WARNUNG: Die Vibrationsemission während der tatsächlichen Benutzung des Elektrowerkzeugs kann je nach der Benutzungsweise des Werkzeugs, und speziell je nach der Art des bearbeiteten Werkstücks, von dem (den) angegebenen Emissionswert(en) abweichen.

⚠️ WARNUNG: Identifizieren Sie Sicherheitsmaßnahmen zum Schutz des Benutzers anhand einer Schätzung des Gefährdungsgrads unter den tatsächlichen Benutzungsbedingungen (unter Berücksichtigung aller Phasen des Arbeitszyklus, wie z. B. Ausschalt- und Leerlaufzeiten des Werkzeugs zusätzlich zur Betriebszeit).

EG-Konformitätserklärung

Nur für europäische Länder

Die EG-Konformitätserklärung ist als Anhang A in dieser Bedienungsanleitung enthalten.

SICHERHEITSWARNUNGEN

WICHTIGE SICHERHEITSVORSCHRIFTEN

⚠️ WARNUNG: Lesen Sie alle Sicherheitswarnungen und Anweisungen durch. Eine Missachtung der unten aufgeführten Warnungen und Anweisungen kann zu einem elektrischen Schlag, Brand und/oder schweren Verletzungen führen.

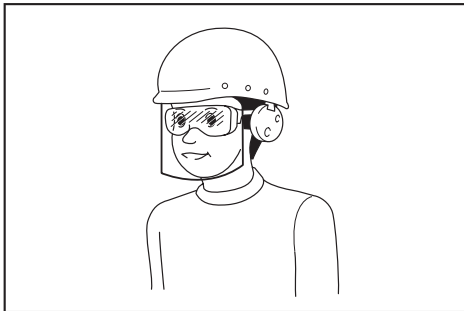
Bewahren Sie alle Warnungen und Anweisungen für spätere Bezugnahme auf.

Einarbeitung

1. Lesen Sie die Anweisungen sorgfältig durch. Machen Sie sich mit der Bedienung und dem korrekten Gebrauch des Mähers vertraut.
2. Kinder oder Personen, die nicht mit dieser Anleitung vertraut sind, dürfen den Mäher keinesfalls benutzen. Örtliche Vorschriften können das Alter der Bedienungsperson einschränken.
3. Betreiben Sie den Mäher keinesfalls, während sich Personen, besonders Kinder, oder Haustiere in der Nähe aufhalten.
4. Der Bediener oder Benutzer ist verantwortlich für Verletzungen oder Sachschäden, die an Personen oder ihrem Eigentum entstehen.
5. Kinder sollten beaufsichtigt werden, um sicherzugehen, dass sie nicht mit dem Mäher spielen.
6. Körperliche Verfassung - Betreiben Sie den Mäher nicht unter dem Einfluss von Drogen, Alkohol oder Medikamenten.

Vorbereitung

1. Tragen Sie während der Benutzung des Mähers stets kräftiges Schuhwerk und eine lange Hose. Betreiben Sie den Mäher nicht barfuß oder mit offenen Sandalen. Vermeiden Sie das Tragen von Kleidungsstücken oder Schmucksachen, die lose sitzen oder herunterhängende Schnüre oder Bänder haben. Diese können von beweglichen Teilen erfasst werden.
2. Unterziehen Sie den Mäher vor Gebrauch immer einer Sichtprüfung auf beschädigte, fehlende oder deplatzierte Schutzhauben oder Abschirmungen.
3. Vergewissern Sie sich, dass sich keine anderen Personen im Arbeitsbereich aufhalten, bevor Sie mit dem Mähen beginnen. Stellen Sie den Mäher ab, falls jemand den Arbeitsbereich betritt.
4. Stecken Sie den Sperrschlüssel nicht eher in den Mäher, bis dieser betriebsbereit ist.
5. Tragen Sie stets eine Schutzbrille, um Ihre Augen bei Verwendung von Elektrowerkzeugen vor Verletzung zu schützen. Die Brille muss der Vorschrift ANSI Z87.1 in den USA, EN 166 in Europa oder AS/NZS 1336 in Australien/Neuseeland entsprechen. In Australien/Neuseeland ist das Tragen eines Gesichtsschutzes gesetzlich vorgeschrieben, um auch Ihr Gesicht zu schützen.



Der Arbeitgeber ist dafür verantwortlich, den Gebrauch von angemessener Schutzausrüstung für die Werkzeugbenutzer und andere Personen im unmittelbaren Arbeitsbereich durchzusetzen.

6. Überprüfen Sie die Messer oder die Messerschrauben vor dem Betrieb sorgfältig auf Risse oder Beschädigung. Wechseln Sie gerissene oder beschädigte Messer oder Messerschrauben unverzüglich aus.
7. Entfernen Sie vor dem Mähen Fremdkörper, wie Steine, Draht, Flaschen, Knochen und große Äste, vom Arbeitsbereich, um Personenschäden und Beschädigung des Mähers zu verhüten.
8. Vom Mähermesser herausgeschleuderte Gegenstände können schwere Personenverletzungen verursachen. Der Rasen ist vor jedem Mähen sorgfältig zu überprüfen und von allen Objekten zu räumen.

9. Achten Sie auf Löcher, Furchen, Bodenwellen, Steine oder sonstige verborgene Objekte. Unebenes Gelände könnte einen Unfall durch Ausrutschen und Hinfallen verursachen. Hohes Gras kann Hindernisse verbergen.

Betrieb

1. Übernehmen Sie sich nicht. Achten Sie stets auf gute Balance. Achten Sie an Hängen immer auf einen sicheren Stand. Stets gehen, niemals laufen.
2. Halten Sie den Mäher an, entfernen Sie den Sperrschlüssel, und vergewissern Sie sich, dass alle beweglichen Teile zu einem vollständigen Stillstand gekommen sind:
 - wann immer Sie den Mäher verlassen,
 - bevor Sie Blockierungen beseitigen oder den Auswurf frei machen,
 - bevor Sie den Mäher überprüfen, reinigen oder daran arbeiten,
 - nach dem Auftreffen auf einen Fremdkörper.Überprüfen Sie den Mäher auf Beschädigung, und führen Sie Reparaturen durch, bevor Sie den Mäher wieder starten und in Betrieb nehmen, - wann immer der Mäher ungewöhnlich zu vibrieren beginnt.
3. Betreiben Sie den Mäher niemals mit defekten Schutzklappen oder Abschirmungen oder ohne Sicherheitsvorrichtungen, wie z. B. Abweiser und/oder Graskorb.
4. Vermeiden Sie die Benutzung des Mähers bei schlechten Witterungsverhältnissen, besonders bei Blitzschlaggefahr.
5. Tragen Sie während der Benutzung des Mähers stets einen Augenschutz und robuste Schuhe.
6. Betreiben Sie den Mäher nur bei Tageslicht oder hellem Kunstlicht.
7. Schalten Sie den Mäher gemäß den Anweisungen vorsichtig ein, während Ihre Füße einen ausreichenden Sicherheitsabstand von dem (den) Messer(n) haben.
8. Hüten Sie sich vor Fuß- und Handverletzungen durch die Mähermesser.
9. Achten Sie stets darauf, dass die Belüftungsöffnungen frei von Unrat sind.
10. Mähen Sie Hänge nur seitwärts, niemals auf und ab. Gehen Sie bei Richtungsänderungen auf Hängen äußerst vorsichtig vor. Mähen Sie keine sehr steilen Hänge.
11. Lassen Sie äußerste Vorsicht walten, wenn Sie den Mäher rückwärts betreiben oder auf sich zu ziehen.
12. Halten Sie das (die) Messer an, wenn der Mäher zum Transportieren gekippt werden muss, wenn andere Flächen als Rasen überquert werden müssen, und wenn der Mäher zu und vom Arbeitsbereich transportiert werden muss.
13. Neigen Sie den Mäher nicht, wenn Sie den Motor einschalten, außer wenn der Mäher zum Starten geneigt werden muss. Neigen Sie den Mäher in diesem Fall nicht mehr als absolut notwendig, und heben Sie nur den vom Bediener abgewandten Teil an. Achten Sie stets darauf, dass sich beide Hände an der Arbeitsposition befinden, bevor Sie den Mäher wieder auf den Boden stellen.

14. Halten Sie Ihre Hände oder Füße nicht in die Nähe von rotierenden Teilen oder darunter. Bleiben Sie stets von der Auswurföffnung fern.
 15. Transportieren Sie den Mäher nicht in eingeschaltetem Zustand.
 16. Vermeiden Sie die Benutzung des Mähers in nassem Gras.
 17. Betreiben Sie den Mäher niemals bei Regen.
 18. Halten Sie den Bügelgriff stets mit festem Griff.
 19. Fassen Sie nicht die freiliegenden Schneidmesser oder die Schneidkanten an, wenn Sie den Mäher anheben oder halten.
 20. Halten Sie Hände und Füße von den rotierenden Messern fern. Vorsicht - Die Messer drehen sich nach dem Ausschalten des Mähers noch weiter.
 21. Brechen Sie den Betrieb sofort ab, wenn Sie irgendetwas Ungewöhnliches bemerken. Schalten Sie den Mäher aus, und ziehen Sie den Sperrschlüssel ab. Überprüfen Sie dann den Mäher.
 22. Versuchen Sie niemals, Einstellungen der Schnitthöhe bei laufendem Mäher durchzuführen, wenn der Mäher eine Funktion zum Einstellen der Schnitthöhe besitzt.
 23. Lassen Sie den Schalthebel los, und warten Sie, bis das Messer zum Stillstand gekommen ist, bevor Sie Einfahrten, Gehwege, Straßen und schotterbedeckte Flächen überqueren. Ziehen Sie den Sperrschlüssel auch ab, wenn Sie den Mäher verlassen, wenn Sie sich bücken, um etwas aufzuheben oder aus dem Weg zu räumen, oder in irgendeiner anderen Situation, bei der Sie von Ihrer Arbeit abgelenkt werden könnten.
 24. Falls der Rasenmäher auf einen Fremdkörper stößt, gehen Sie folgendermaßen vor:
 - Stellen Sie den Mäher ab, lassen Sie den Schalthebel los, und warten Sie, bis das Messer zum vollständigen Stillstand kommt.
 - Entfernen Sie den Sperrschlüssel und den Akku.
 - Überprüfen Sie den Mäher gründlich auf etwaige Beschädigung.
 - Tauschen Sie das Messer aus, falls es in irgendeiner Weise beschädigt ist. Reparieren Sie etwaige Schäden, bevor Sie den Mäher wieder in Betrieb nehmen und weiter benutzen.
 25. Starten Sie den Mäher nicht, wenn Sie vor der Auswurföffnung stehen.
 26. Falls der Mäher beginnt, ungewöhnlich heftig zu vibrieren (sofort überprüfen),
 - auf Beschädigung überprüfen,
 - beschädigte Teile austauschen oder reparieren,
 - prüfen, ob lose Teile vorhanden sind, und diese festziehen.
 27. Richten Sie den Materialauswurf niemals auf Personen. Vermeiden Sie Auswerfen von Material gegen eine Wand oder eine Behinderung. Das Material könnte auf den Bediener zurückprallen. Halten Sie das Messer an, wenn Sie Schotterflächen überqueren.
 28. Ziehen Sie den Mäher nicht rückwärts, wenn dies nicht unbedingt notwendig ist. Wenn Sie gezwungen sind, den Mäher von einem Zaun oder einer ähnlichen Behinderung zurückzuziehen, schauen Sie nach unten und hinten, bevor und während Sie sich rückwärts bewegen.
 29. Stellen Sie den Motor ab, und warten Sie, bis das Messer zu einem vollständigen Stillstand kommt, bevor Sie den Grasfänger entfernen. Beachten Sie, dass die Messer nach dem Ausschalten nachlaufen.
- Wartung und Lagerung**
1. Tauschen Sie verschlissene oder beschädigte Teile zur Sicherheit aus. Verwenden Sie nur Original-Ersatzteile und -Zubehör.
 2. Überprüfen und warten Sie den Mäher regelmäßig.
 3. Bewahren Sie den Mäher bei Nichtgebrauch außer Reichweite von Kindern auf.
 4. Achten Sie auf festen Sitz aller Muttern, Bolzen und Schrauben, um sicherzugehen, dass sich das Gerät in einwandfreiem Arbeitszustand befindet.
 5. Überprüfen Sie den Graskorb oft auf Verschleiß oder Verschlechterung. Vergewissern Sie sich vor der Lagerung stets, dass der Graskorb leer ist. Tauschen Sie einen verschlissenen Graskorb zur Sicherheit gegen ein neues Original-Ersatzteil aus.
 6. Verwenden Sie nur die in dieser Anleitung angegebenen Originalmesser des Herstellers.
 7. Lassen Sie während der Einstellung des Mähers Vorsicht walten, um Einklemmen der Finger zwischen den beweglichen Messern und den feststehenden Teilen des Mähers zu verhindern.
 8. Waschen Sie den Mäher nicht mit einem Schlauch, um das Eindringen von Wasser in Motor und elektrische Anschlüsse zu vermeiden.
 9. Überprüfen Sie die Messerbefestigungsschraube in regelmäßigen Abständen auf festen Sitz.
 10. Lassen Sie den Mäher vor der Lagerung stets abkühlen.
 11. Wenn Sie die Messer warten, bedenken Sie, dass sich die Messer immer noch bewegen können, selbst wenn die Stromquelle abgeschaltet ist.
 12. Versuchen Sie niemals, Sicherheitsvorrichtungen zu entfernen oder zu manipulieren. Überprüfen Sie regelmäßig ihre ordnungsgemäße Funktion. Unterlassen Sie jegliche Beeinträchtigung der beabsichtigten Funktion einer Sicherheitsvorrichtung oder eine Verringerung des von einer Sicherheitsvorrichtung bereitgestellten Schutzes.
- Gebrauch und Pflege von Akkwerkzeugen**
1. Laden Sie den Akku nur mit dem vom Hersteller vorgeschriebenen Ladegerät. Ein Ladegerät, das für einen Akkutyp geeignet ist, kann bei Verwendung mit einem anderen Akku eine Brandgefahr darstellen.
 2. Benutzen Sie Elektrowerkzeuge nur mit den ausdrücklich vorgeschriebenen Akkus. Bei Verwendung irgendwelcher anderer Akkus besteht Verletzungs- und Brandgefahr.

3. **Bewahren Sie den Akku bei Nichtgebrauch nicht zusammen mit Metallgegenständen, wie Büroklammern, Münzen, Schlüsseln, Nägeln, Schrauben, und anderen kleinen Metallteilen auf, welche die Kontakte kurzschließen können.** Kurzschließen der Akkukontakte kann Verbrennungen oder einen Brand verursachen.
4. **Bei Missbrauch kann Flüssigkeit aus dem Akku austreten. Vermeiden Sie Kontakt mit dieser Flüssigkeit. Falls Sie versehentlich mit der Flüssigkeit in Berührung kommen, spülen Sie die betroffenen Stellen mit Wasser ab. Falls die Flüssigkeit in die Augen gelangt, suchen Sie zusätzlich ärztliche Hilfe auf.** Die vom Akku austretende Flüssigkeit kann Hautreizungen oder Verätzungen verursachen.
5. **Verwenden Sie keinen Akku und auch kein Werkzeug, der (das) beschädigt oder modifiziert ist.** Beschädigte oder modifizierte Akkus können unvorhersehbares Verhalten zeigen, das zu einem Brand, einer Explosion oder Verletzungsgefahr führen kann.
6. **Setzen Sie einen Akku oder ein Werkzeug nicht Feuer oder übermäßigen Temperaturen aus.** Bei Einwirkung von Feuer oder Temperaturen über 130 °C kann es zu einer Explosion kommen.
7. **Befolgen Sie alle Ladeanweisungen, und laden Sie den Akku bzw. das Werkzeug nicht außerhalb des in den Anweisungen angegebenen Temperaturbereichs.** Wird der Ladevorgang unsachgemäß oder bei Temperaturen außerhalb des angegebenen Bereichs durchgeführt, kann es zu einer Beschädigung des Akkus und erhöhter Brandgefahr kommen.

Sicherheit der Elektrik und des Akkus

1. **Werfen Sie den (die) Akku(s) nicht ins Feuer.** Die Zelle könnte explodieren. Prüfen Sie die örtlichen Vorschriften für mögliche spezielle Entsorgungsanweisungen.
2. **Versuchen Sie nicht, den (die) Akku(s) zu öffnen oder zu verstümmeln.** Freigesetzter Elektrolyt ist korrosiv und kann Schäden an Augen oder Haut verursachen. Falls er verschluckt wird, kann er giftig sein.
3. **Laden Sie den Akku nicht im Regen oder an nassen Orten.**
4. **Laden Sie den Akku nicht im Freien.**
5. **Fassen Sie das Ladegerät, einschließlich des Ladegerätesteckers und der Ladegeräteanschlüsse, nicht mit nassen Händen an.**

Wartung

1. **Lassen Sie Ihr Elektrowerkzeug nur unter Verwendung identischer Ersatzteile von einem qualifizierten Wartungstechniker warten.** Dadurch wird die Aufrechterhaltung der Sicherheit des Elektrowerkzeugs gewährleistet.
2. **Beschädigte Akkus dürfen auf keinen Fall gewartet werden.** Die Wartung von Akkus darf nur vom Hersteller oder von einer Vertragswerkstatt durchgeführt werden.

DIESE ANWEISUNGEN AUFBEWAHREN.

⚠️ WARNUNG: Lassen Sie sich NICHT durch Bequemlichkeit oder Vertrautheit mit dem Produkt (durch wiederholten Gebrauch erworben) von der strikten Einhaltung der Sicherheitsregeln für das vorliegende Produkt abhalten.

MISSBRAUCH oder Missachtung der Sicherheitsvorschriften in dieser Anleitung können schwere Verletzungen verursachen.

Wichtige Sicherheitsanweisungen für Akku

1. **Lesen Sie vor der Benutzung des Akkus alle Anweisungen und Warnhinweise, die an (1) Ladegerät, (2) Akku und (3) Akkuwerkzeug angebracht sind.**
2. **Unterlassen Sie Zerlegen oder Manipulieren des Akkus.** Es kann sonst zu einem Brand, übermäßiger Hitzeentwicklung oder einer Explosion kommen.
3. **Falls die Betriebszeit beträchtlich kürzer geworden ist, stellen Sie den Betrieb sofort ein.** Anderenfalls besteht die Gefahr von Überhitzung, möglichen Verbrennungen und sogar einer Explosion.
4. **Falls Elektrolyt in Ihre Augen gelangt, waschen Sie sie mit sauberem Wasser aus, und begeben Sie sich unverzüglich in ärztliche Behandlung.** Anderenfalls können Sie Ihre Sehkraft verlieren.
5. **Der Akku darf nicht kurzgeschlossen werden:**
 - (1) **Die Kontakte dürfen nicht mit leitfähigem Material berührt werden.**
 - (2) **Lagern Sie den Akku nicht in einem Behälter zusammen mit anderen Metallgegenständen, wie z. B. Nägel, Münzen usw.**
 - (3) **Setzen Sie den Akku weder Wasser noch Regen aus.**

Ein Kurzschluss des Akkus verursacht starken Stromfluss, der Überhitzung, mögliche Verbrennungen und einen Defekt zur Folge haben kann.
6. **Lagern und benutzen Sie das Werkzeug und den Akku nicht an Orten, an denen die Temperatur 50 °C erreichen oder überschreiten kann.**
7. **Versuchen Sie niemals, den Akku zu verbrennen, selbst wenn er stark beschädigt oder vollkommen verbraucht ist.** Der Akku kann im Feuer explodieren.
8. **Unterlassen Sie Nageln, Schneiden, Zerquetschen, Werfen, Fallenlassen des Akkus oder Schlagen des Akkus mit einem harten Gegenstand.** Eine solche Handlung kann zu einem Brand, übermäßiger Hitzeentwicklung oder einer Explosion führen.
9. **Benutzen Sie keine beschädigten Akkus.**
10. **Die enthaltenen Lithium-Ionen-Akkus unterliegen den Anforderungen der Gefahrgutgesetzgebung.** Für kommerzielle Transporte, z. B. durch Dritte oder Spediteure, müssen besondere Anforderungen zu Verpackung und Etikettierung beachtet werden.

Zur Vorbereitung des zu transportierenden Artikels ist eine Beratung durch einen Experten für Gefahrgut erforderlich. Bitte beachten Sie möglicherweise ausführlichere nationale Vorschriften. Überkleben oder verdecken Sie offene Kontakte, und verpacken Sie den Akku so, dass er sich in der Verpackung nicht umher bewegen kann.

11. **Entfernen Sie den Akku zum Entsorgen vom Werkzeug, und entsorgen Sie ihn an einem sicheren Ort. Befolgen Sie die örtlichen Vorschriften bezüglich der Entsorgung von Akkus.**
12. **Verwenden Sie die Akkus nur mit den von Makita angegebenen Produkten.** Das Einsetzen der Akkus in nicht konforme Produkte kann zu einem Brand, übermäßiger Hitzebildung, einer Explosion oder Auslaufen von Elektrolyt führen.
13. **Soll das Werkzeug längere Zeit nicht benutzt werden, muss der Akku vom Werkzeug entfernt werden.**
14. **Bei und nach dem Gebrauch kann der Akku heiß werden, was Verbrennungen oder Niedertemperaturverbrennungen verursachen kann. Beachten Sie die Handhabung von heißen Akkus.**
15. **Berühren Sie nicht den Anschlusskontakt des Werkzeugs unmittelbar nach dem Gebrauch, da er heiß genug werden kann, um Verbrennungen zu verursachen.**
16. **Achten Sie darauf, dass sich keine Späne, Staub oder Schmutz in den Anschlusskontakten, Löchern und Nuten des Akkus absetzen.** Dies kann zu einer Leistungseinbuße oder Betriebsstörung des Werkzeugs oder des Akkus führen.
17. **Wenn das Werkzeug den Einsatz in der Nähe einer Hochspannungs-Stromleitung nicht unterstützt, benutzen Sie den Akku nicht in der Nähe einer Hochspannungs-Stromleitung.** Dies kann zu einer Funktionsstörung oder Betriebsstörung des Werkzeugs oder des Akkus führen.
18. **Halten Sie die Batterie von Kindern fern.**

DIESE ANWEISUNGEN AUFBEWAHREN.

⚠ VORSICHT: Verwenden Sie nur Original-Makita-Akkus. Die Verwendung von Nicht-Original-Makita-Akkus oder von Akkus, die abgeändert worden sind, kann zum Bersten des Akkus und daraus resultierenden Bränden, Personenschäden und Beschädigung führen. Außerdem wird dadurch die Makita-Garantie für das Makita-Werkzeug und -Ladegerät ungültig.

Hinweise zur Aufrechterhaltung der maximalen Akku-Nutzungsdauer

1. **Laden Sie den Akku, bevor er vollkommen erschöpft ist. Schalten Sie das Werkzeug stets aus, und laden Sie den Akku, wenn Sie ein Nachlassen der Werkzeugleistung feststellen.**

2. **Unterlassen Sie erneutes Laden eines voll aufgeladenen Akkus. Überladen führt zu einer Verkürzung der Nutzungsdauer des Akkus.**
3. **Laden Sie den Akku bei Raumtemperatur zwischen 10 – 40 °C. Lassen Sie einen heißen Akku abkühlen, bevor Sie ihn laden.**
4. **Wenn Sie den Akku nicht benutzen, nehmen Sie ihn vom Werkzeug oder Ladegerät ab.**
5. **Der Akku muss geladen werden, wenn er lange Zeit (länger als sechs Monate) nicht benutzt wird.**

MONTAGE

⚠ WARNUNG: Vergewissern Sie sich stets, dass der Sperrschlüssel abgezogen ist und die Akkus entfernt worden sind, bevor Sie irgendwelche Arbeiten am Mäher ausführen. Wird das Entfernen des Sperrschlüssels und das Abnehmen der Akkus unterlassen, kann es zu schweren Personenschäden durch versehentliches Anlaufen kommen.

⚠ WARNUNG: Starten Sie den Mäher niemals, wenn er nicht vollständig zusammengebaut ist. Der Betrieb der Maschine in teilweise zusammengebautem Zustand kann zu schweren Personenschäden durch versehentliches Anlaufen führen.

Montieren der Akkuabdeckung

⚠ WARNUNG: Warten Sie mit dem Einstecken des Sperrschlüssels und dem Einsetzen der Akkus, bis die Akkuabdeckung montiert worden ist. Andernfalls kann es zu einer schweren Verletzung kommen.

Montieren Sie die Akkuabdeckung vollständig vor dem Betrieb. Die Akkuabdeckung schützt den Mäher und die Akkus vor Schlamm, Schmutz und Wasser.

1. Bringen Sie die Akkuabdeckung so an, dass die Vorsprünge am Mäher auf die Löcher in der Akkuabdeckung ausgerichtet sind.

▶ **Abb.1:** 1. Vorsprung 2. Loch 3. Akkuabdeckung

2. Drücken Sie die Akkuabdeckung mit beiden Händen in der Mitte an.

▶ **Abb.2**

3. Vergewissern Sie sich vor der ersten Inbetriebnahme, dass der Drehpunkt der Akkuabdeckung korrekt montiert ist. Bei korrekter Montage öffnet sich die Akkuabdeckung erst, wenn der Akkuabdeckungs-Verriegelungshebel betätigt wird.

▶ **Abb.3:** 1. Drehpunkt

2. Akkuabdeckungs-Verriegelungshebel

Montieren des Bügelgriffs

ANMERKUNG: Positionieren Sie die Kabel beim Montieren der Griffstangen so, dass sie nicht durch irgendwelche Teile zwischen den Griffstangen erfasst werden. Falls das Kabel beschädigt wird, funktioniert der Mäherschalter eventuell nicht.

1. Schieben Sie beide Enden des unteren Bügelgriffs in die Führungsnuten des Mähers, und ziehen Sie dann die Klemmschrauben vollständig an.
► **Abb.4:** 1. Klemmschraube 2. Unterer Bügelgriff

2. Richten Sie die Schraubenbohrungen des oberen und unteren Bügelgriffs aufeinander aus. Sichern Sie die Bügelgriffe mit den Klemmschrauben und Muttern.
► **Abb.5:** 1. Knebelmutter 2. Klemmschraube

HINWEIS: Halten Sie den oberen Bügelgriff gut fest, damit er Ihnen nicht aus der Hand rutscht.

3. Bringen Sie die Halter am Bügelgriff an. Führen Sie das Netzkabel so, wie in der Abbildung gezeigt.
► **Abb.6:** 1. Halter

Entfernen des Mulchstopfens

Sonderzubehör

- Öffnen Sie die Rückabdeckung.
► **Abb.7:** 1. Rückabdeckung
- Halten Sie den Mulchstopfen am Handgriff, und ziehen Sie ihn dann aus der Mähereinheit heraus, wie in der Abbildung gezeigt.
► **Abb.8:** 1. Mulchstopfen 2. Handgriff

Montieren des Graskorbs

- Öffnen Sie die Rückabdeckung.
► **Abb.9:** 1. Rückabdeckung
- Hängen Sie den Graskorb an die Stange der Mähereinheit, wie in der Abbildung gezeigt.
► **Abb.10:** 1. Aufhänger 2. Stange 3. Graskorb

Anbringen des Mulchstopfens

Sonderzubehör

- Öffnen Sie die Rückabdeckung, und nehmen Sie dann den Graskorb ab.
► **Abb.11:** 1. Rückabdeckung 2. Graskorb
- Halten Sie den Mulchstopfen am Handgriff, und bringen Sie ihn dann an der Mähereinheit an, wie in der Abbildung gezeigt.
► **Abb.12:** 1. Mulchstopfen 2. Handgriff

FUNKTIONSBESCHREIBUNG

Anbringen und Abnehmen des Akkus

⚠VORSICHT: Schalten Sie die Maschine stets aus, bevor Sie die Akkus anbringen oder abnehmen.

⚠VORSICHT: Verriegeln Sie unbedingt die Akkuabdeckung vor Gebrauch. Anderenfalls können Schlamm, Schmutz oder Wasser eine Beschädigung des Produkts oder der Akkus verursachen.

⚠VORSICHT: Schieben Sie die Akkus stets bis zum Anschlag ein, bis die rote Anzeige nicht mehr sichtbar ist. Anderenfalls kann er versehentlich aus der Maschine herausfallen und Sie oder umstehende Personen verletzen.

⚠VORSICHT: Unterlassen Sie Gewaltanwendung beim Anbringen der Akkus. Falls die Akkus nicht reibungslos hineingleiten, sind sie nicht richtig ausgerichtet.

HINWEIS: Die Maschine funktioniert nicht mit nur einem Akku.

Zum Einsetzen der Akkus:

- Ziehen Sie den Akkuabdeckungs-Verriegelungshebel auf sich zu, und öffnen Sie die Akkuabdeckung.
► **Abb.13:** 1. Akkuabdeckung
2. Akkuabdeckungs-Verriegelungshebel
- Richten Sie die Feder am Akku auf den Schlitz am Mäher aus, und schieben Sie dann den Akku hinein, bis er mit einem leisen Klicken einrastet.
► **Abb.14:** 1. Akku
- Führen Sie den Sperrschlüssel bis zum Anschlag in den in der Abbildung gezeigten Schlitz ein.
► **Abb.15:** 1. Sperrschlüssel
- Schließen Sie die Akkuabdeckung, und drücken Sie sie an, bis sie mit dem Verriegelungshebel einrastet.

Zum Abnehmen der Akkus vom Mäher:

- Ziehen Sie den Akkuabdeckungs-Verriegelungshebel auf sich zu, und öffnen Sie die Akkuabdeckung.
- Ziehen Sie die Akkus aus dem Mäher heraus, während Sie den Knopf an der Vorderseite des jeweiligen Akkus verschieben.
- Ziehen Sie den Sperrschlüssel heraus.
- Schließen Sie die Akkuabdeckung.

Maschinen-/Akku-Schutzsystem

Die Maschine ist mit einem Maschinen-/Akku-Schutzsystem ausgestattet. Dieses System schaltet die Stromversorgung des Motors automatisch ab, um die Lebensdauer von Werkzeug und Akku zu verlängern. Die Maschine bleibt während des Betriebs automatisch stehen, wenn die Maschine oder der Akku einer der folgenden Bedingungen unterliegt:

Überlastschutz

Wird die Maschine in einer Weise betrieben, die eine ungewöhnlich hohe Stromaufnahme bewirkt, bleibt die Maschine ohne jegliche Anzeige automatisch stehen. Schalten Sie in dieser Situation die Maschine aus, und brechen Sie die Anwendung ab, die eine Überlastung der Maschine verursacht hat. Schalten Sie dann die Maschine wieder ein, um sie neu zu starten.

Überhitzungsschutz

Wenn die Maschine überhitzt wird, bleibt sie automatisch stehen. Lassen Sie die Maschine abkühlen, bevor Sie sie wieder einschalten.

Überentladungsschutz

Wenn die Akkukapazität niedrig wird, bleibt die Maschine automatisch stehen. Falls das Produkt trotz Betätigung der Schalter nicht funktioniert, entfernen Sie die Akkus von der Maschine, und laden Sie sie auf.

Anzeigen der Akku-Restkapazität

► **Abb.16:** 1. Anzeige Akkuladestatus
















Wenn die Akku-Restkapazität niedrig wird, blinkt die Akku-Anzeige auf der Seite des betreffenden Akkus. Bei weiterer Benutzung bleibt die Maschine stehen, und die Akku-Anzeige leuchtet etwa 10 Sekunden lang auf. Laden Sie in dieser Situation den Akku auf.

Anzeigen der Akku-Restkapazität

Nur für Akkus mit Anzeige

► **Abb.17:** 1. Anzeigelampen 2. Prüftaste

Drücken Sie die Prüftaste am Akku, um die Akku-Restkapazität anzuzeigen. Die Anzeigelampen leuchten wenige Sekunden lang auf.

Anzeigelampen			Restkapazität
 Erleuchtet	 Aus	 Blinkend	
			75% bis 100%
			50% bis 75%
			25% bis 50%
			0% bis 25%
			Den Akku aufladen.
 ↑ ↓ 			Möglicherweise liegt eine Funktionsstörung im Akku vor.

HINWEIS: Abhängig von den Benutzungsbedingungen und der Umgebungstemperatur kann die Anzeige geringfügig von der tatsächlichen Kapazität abweichen.

Schalterfunktion

⚠️ WARNUNG: Vergewissern Sie sich vor dem Einsetzen der Akkus stets, dass der Schalthebel ordnungsgemäß funktioniert und beim Loslassen in die Ausgangsstellung zurückkehrt. Der Betrieb einer Maschine mit einem fehlerhaften Schalter kann zum Verlust der Kontrolle und zu schweren Personenschäden führen.

HINWEIS: Der Mäher startet nicht, ohne den Schaltknopf zu drücken, selbst wenn der Schalthebel betätigt wird.

HINWEIS: Der Mäher startet möglicherweise nicht aufgrund der Überlastung, wenn Sie versuchen, langes oder dichtes Gras in einem Durchgang zu mähen. Erhöhen Sie in diesem Fall die Mähhöhe.

Dieser Mäher ist mit einem Verriegelungsschalter und Griffschalter ausgestattet. Falls Sie etwas Ungewöhnliches bei einem dieser Schalter bemerken, stoppen Sie den Betrieb unverzüglich, und lassen Sie die Schalter von der nächsten autorisierten Makita-Kundendienststelle überprüfen.

1. Setzen Sie die Akkus ein. Stecken Sie den Sperrschlüssel in den Verriegelungsschalter, und schließen Sie dann die Akkuabdeckung.
► **Abb.18:** 1. Akku 2. Sperrschlüssel
2. Drücken Sie den Schaltknopf, und halten Sie ihn gedrückt.
3. Fassen Sie den oberen Bügelgriff, und betätigen Sie den Schalthebel.
► **Abb.19:** 1. Schaltknopf 2. Schalthebel
4. Lassen Sie den Schaltknopf los, sobald der Motor anläuft. Der Mäher läuft solange weiter, bis Sie den Schalthebel loslassen.
5. Lassen Sie den Schalthebel los, um den Motor zu stoppen.

Einstellen der Mähhöhe

⚠️ WARNUNG: Halten Sie niemals Ihre Hand oder Ihren Fuß unter die Mähereinheit, wenn Sie die Mähhöhe einstellen.

⚠️ WARNUNG: Vergewissern Sie sich stets, dass der Hebel einwandfrei in der Führungsnut sitzt, bevor Sie den Mäher in Betrieb nehmen.

Die Mähhöhe kann innerhalb des Bereichs zwischen 20 mm und 75 mm eingestellt werden.

1. Entfernen Sie den Sperrschlüssel.
2. Ziehen Sie den Mähhöhen-Einstellhebel zur Außenseite der Mähereinheit, und stellen Sie ihn auf die gewünschte Mähhöhe ein.
► **Abb.20:** 1. Mähhöhen-Einstellhebel

HINWEIS: Die Zahlen der Mähhöhe dienen lediglich als Orientierungshilfe. Je nach den Bedingungen des Rasens oder des Bodens kann die tatsächliche Rasenhöhe geringfügig von der eingestellten Höhe abweichen.

HINWEIS: Machen Sie einen Mähtest an einer unauffälligeren Stelle des Rasens, um die gewünschte Höhe zu erhalten.

Grasfüllstandsanzeige

► Abb.21: 1. Grasfüllstandsanzeige

Die Grasfüllstandsanzeige zeigt die Menge des gemähnten Grasses an.

- Wenn der Graskorb nicht voll ist, schwebt die Anzeige während des Mähens.
- Wenn der Graskorb voll ist, schwebt die Anzeige während des Mähens nicht. Brechen Sie in diesem Fall die Mäharbeit sofort ab, und leeren Sie den Korb. Nachdem Sie den Korb geleert haben, reinigen Sie ihn, so dass sein Maschenwerk die Luft ventiliert.

HINWEIS: Diese Anzeige ist eine grobe Orientierungshilfe. Je nach den Bedingungen im Korb funktioniert diese Anzeige u. U. nicht richtig.

Verwendung des Mulchstopfens

Sonderzubehör

Der Mulchstopfen ermöglicht es Ihnen, das abgeschnittene Gras auf den Boden zurückzuführen, ohne es im Graskorb aufzusammeln. Wenn Sie die Maschine mit dem Mulchstopfen betreiben, nehmen Sie unbedingt den Graskorb ab.

ANMERKUNG: Wenn Sie die Maschine mit dem Mulchstopfen benutzen, vergewissern Sie sich, dass die Gesamtlänge des Grasses nach dem Mähen 30 mm oder mehr, und die Schnittlänge 15 mm oder weniger beträgt.

- Abb.22: (1) 30 mm oder mehr (2) 15 mm oder weniger

BETRIEB

Mähen

⚠️ WARNUNG: Bevor Sie mit dem Mähen beginnen, entfernen Sie Äste und Steine vom Mähbereich. Beseitigen Sie vorher auch jegliches Unkraut im Mähbereich.

⚠️ WARNUNG: Tragen Sie bei der Benutzung des Mähers stets eine Schutzbrille mit Seitenschützern.

⚠️ VORSICHT: Falls das gemähte Gras oder Fremdkörper die Innenseite der Mähereinheit blockieren, entfernen Sie unbedingt den Sperrschlüssel und die Akkus, und ziehen Sie Handschuhe an, bevor Sie das Gras oder den Fremdkörper entfernen.

ANMERKUNG: Verwenden Sie diese Maschine nur zum Mähen von Rasen. Mähen Sie kein Unkraut mit dieser Maschine.

► Abb.23

Halten Sie den Bügelgriff beim Mähen mit beiden Händen fest.

Die Richtlinie der Mähgeschwindigkeit liegt bei ungefähr 1 Meter pro 4 Sekunden.

► Abb.24

Die Außenkanten der Vorderräder sind Richtlinien für die Mähbreite. Mähen Sie in Streifen, indem Sie die Außenkanten der Vorderräder als Richtlinie verwenden. Überlappen Sie den vorhergehenden Streifen um eine Hälfte bis ein Drittel, um den Rasen gleichmäßig zu mähen.

- Abb.25: 1. Mähbreite 2. Überlappungsbereich 3. Außenkante

Wechseln Sie jedes Mal die Mährichtung, um zu verhindern, dass sich eine Grasmaserung nur in einer Richtung bildet.

► Abb.26

Überprüfen Sie die Höhe des gemähnten Grasses im Graskorb regelmäßig. Entleeren Sie den Graskorb, bevor er ganz voll wird. Stellen Sie vor jeder regelmäßigen Kontrolle den Mäher ab, und entfernen Sie Sperrschlüssel und Akkus.

ANMERKUNG: Die Benutzung des Mähers mit vollem Graskorb verhindert eine reibungslose Messerdrehung und übt eine zusätzliche Last auf den Motor aus, die zu einem Ausfall führen kann.

Mähen eines Rasens mit hohem Gras

Versuchen Sie nicht, hohes Gras in einem Durchgang zu mähen. Mähen Sie statt dessen den Rasen in mehreren Durchgängen. Lassen Sie einen oder zwei Tage zwischen den Mähdurchgängen offen, bis der Rasen gleichmäßig kurz wird.

HINWEIS: Der Versuch, langes Gras in einem Durchgang auf eine kurze Länge zu mähen, kann dazu führen, dass das Gras abstirbt. Außerdem kann das gemähte Gras die Innenseite der Mähereinheit blockieren.

Leeren des Graskorbs

⚠️ WARNUNG: Um die Unfallgefahr zu reduzieren, sollten Sie den Graskorb regelmäßig auf Beschädigung oder Abschwächung überprüfen. Tauschen Sie den Graskorb nötigenfalls aus.

1. Lassen Sie den Schalthebel los.
2. Entfernen Sie den Sperrschlüssel.
3. Öffnen Sie die Rückabdeckung, und nehmen Sie den Graskorb an seinem Griff heraus.
► Abb.27: 1. Rückabdeckung 2. Griff
4. Leeren Sie den Graskorb.

WARTUNG

⚠️ WARNUNG: Vergewissern Sie sich stets, dass Sperrschlüssel und Akkus vom Mäher entfernt worden sind, bevor Sie den Mäher lagern oder tragen oder eine Inspektion oder Wartung durchführen.

⚠️ WARNUNG: Ziehen Sie stets den Sperrschlüssel ab, wenn Sie den Mäher nicht benutzen. Bewahren Sie den Sperrschlüssel an einem sicheren Ort außer Reichweite von Kindern auf.

⚠️ WARNUNG: Tragen Sie Handschuhe zur Durchführung von Inspektions- oder Wartungsarbeiten.

⚠️ WARNUNG: Tragen Sie bei der Durchführung von Inspektions- oder Wartungsarbeiten stets eine Schutzbrille mit Seitenschützern.

ANMERKUNG: Verwenden Sie auf keinen Fall Benzin, Waschbenzin, Verdünner, Alkohol oder dergleichen. Solche Mittel können Verfärbung, Verformung oder Rissbildung verursachen.

Um die SICHERHEIT und ZUVERLÄSSIGKEIT dieses Produkts zu gewährleisten, sollten Reparaturen und andere Wartungs- oder Einstellarbeiten nur von Makita-Vertragswerkstätten oder Makita-Kundendienstzentren unter ausschließlicher Verwendung von Makita-Originalersatzteilen ausgeführt werden.

Wartung

1. Entfernen Sie den Sperrschlüssel. Bewahren Sie den Schlüssel an einem sicheren Ort außer Reichweite von Kindern auf.
2. Reinigen Sie den Mäher nur mit einem nassen Tuch. Unterlassen Sie Bespritzen oder Übergießen des Mähers mit Wasser während der Reinigung.
3. Kippen Sie den Mäher auf seine Seite, und entfernen Sie Grasschnitzel, die sich auf der Unterseite des Mäherdecks angesammelt haben.
4. Überprüfen Sie alle Muttern, Bolzen, Knöpfe, Schrauben, Befestigungsteile usw. auf festen Sitz.
5. Überprüfen Sie die beweglichen Teile auf Beschädigung, Bruch und Verschleiß. Beschädigte oder fehlende Teile sind zu reparieren oder zu ersetzen.

Lagerung

⚠️ WARNUNG: Halten Sie den Mäher zum Tragen oder Lagern nicht an den zusammengeklappten Griffstangen, sondern an seinem vorderer Griff. Werden die zusammengeklappten Griffstangen gehalten, kann es zu schweren Verletzungen oder einer Beschädigung des Mähers kommen.

Nehmen Sie die Akkus ab, und ziehen Sie den Sperrschlüssel ab, bevor Sie den Mäher lagern. Lagern Sie den Mäher an einem kühlen, trockenen und abschließbaren Ort. Lagern Sie Mäher und Ladegerät nicht an Orten, an denen die Temperatur 40 °C erreichen oder überschreiten kann.

► **Abb.28:** 1. Vorderer Griff 2. Hinterer Griff

1. Lösen Sie die Klemmschrauben, und ziehen Sie den unteren Bügelgriff zu beiden Seiten auseinander. Klappen Sie den Bügelgriff nach vorn herunter. Halten Sie dabei den unteren Bügelgriff sicher fest, damit er nicht auf die abgewandte Seite der Mähereinheit herunterfällt.

► **Abb.29:** 1. Klemmschraube 2. Unterer Bügelgriff

2. Lösen Sie die Knebelmutter, und schwenken Sie den oberen Bügelgriff nach hinten, während Sie beide Seiten auseinanderziehen.

► **Abb.30:** 1. Knebelmutter 2. Oberer Bügelgriff

3. Lagern Sie den Graskorb zwischen Bügelgriff und Mähereinheit.

► **Abb.31:** 1. Graskorb

HINWEIS: Halten Sie den Mäher beim Aufrichten in die Senkrechtstellung nicht am Bügelgriff, sondern an seinem vorderer Griff.

Demontieren oder Montieren des Mähermessers

⚠️ WARNUNG: Entfernen Sie stets den Sperrschlüssel und die Akkus, bevor Sie das Messer demontieren oder montieren. Werden Sperrschlüssel und Akkus nicht entfernt, kann es zu schweren Verletzungen kommen.

⚠️ WARNUNG: Das Messer dreht sich nach dem Loslassen des Schalters noch einige Sekunden weiter. Warten Sie mit der Ausführung von Arbeiten, bis das Messer zu einem vollständigen Stillstand kommt.

⚠️ WARNUNG: Tragen Sie stets Handschuhe bei der Handhabung des Messers.

Entfernen des Mähermessers

Für DLM382

1. Kippen Sie den Mäher auf seine Seite, so dass der Mähhöhen-Einstellhebel oben liegt.
2. Um die Messerdrehung zu blockieren, stecken Sie einen Schraubendreher oder ein ähnliches Werkzeug in ein Loch an der Mähereinheit.
3. Drehen Sie die Schraube mit dem Schraubenschlüssel entgegen dem Uhrzeigersinn.
► **Abb.32:** 1. Mähermesser 2. Schraubendreher 3. Schraubenschlüssel

4. Entfernen Sie Schraube und Messer in dieser Reihenfolge.

► **Abb.33:** 1. Messerhalter 2. Mähermesser 3. Schraube

Für DLM432

1. Kippen Sie den Mäher auf seine Seite, so dass der Mähhöhen-Einstellhebel oben liegt.

2. Um die Messerdrehung zu blockieren, stecken Sie einen Schraubendreher oder ein ähnliches Werkzeug in ein Loch an der Mähereinheit.

3. Drehen Sie die Schraube mit dem Schraubenschlüssel entgegen dem Uhrzeigersinn.

- **Abb.34:** 1. Mähermesser 2. Schraubendreher
3. Schraubenschlüssel

4. Entfernen Sie Schraube, Außenflansch, Mähermesser und Innenflansch in dieser Reihenfolge.

- **Abb.35:** 1. Innenflansch 2. Mähermesser
3. Außenflansch 4. Schraube

Installieren des Mähermessers

Zum Montieren des Mähermessers wenden Sie das Demontageverfahren umgekehrt an.

⚠️ WARNUNG: Montieren Sie das Mähermesser sorgfältig. Das Messer hat eine Ober- und Unterseite. Richten Sie das Messer so aus, dass die Seite mit dem Drehrichtungspfeil außen liegt.

⚠️ WARNUNG: Ziehen Sie dann die Schraube zur Sicherung des Messers im Uhrzeigersinn fest.

⚠️ WARNUNG: Vergewissern Sie sich, dass das Mähermesser und alle Befestigungsteile korrekt montiert und sicher festgezogen sind.

⚠️ WARNUNG: Befolgen Sie beim Auswechseln der Messer stets die Anweisungen in dieser Anleitung.

FEHLERSUCHE

Bevor Sie den Reparatordienst anrufen, führen Sie zunächst Ihre eigene Inspektion durch. Falls Sie ein Problem finden, das nicht in der Anleitung erläutert wird, versuchen Sie nicht, das Werkzeug zu zerlegen. Wenden Sie sich stattdessen an autorisierte Makita-Kundendienstzentren, und achten Sie darauf, dass stets Makita-Ersatzteile für Reparaturen verwendet werden.

Zustand der Unregelmäßigkeit	Wahrscheinliche Ursache (Funktionsstörung)	Abhilfemaßnahme
Der Mäher startet nicht.	Es sind nicht beide Akkus eingesetzt.	Setzen Sie die geladenen Akkus ein.
	Akkustörung (Unterspannung)	Laden Sie die Akkus auf. Falls Laden nichts nützt, tauschen Sie die Akkus aus.
	Der Sperrschlüssel ist nicht eingesteckt.	Stecken Sie den Sperrschlüssel ein.
Der Motor bleibt nach kurzer Zeit stehen.	Der Ladestand der Akkus ist niedrig.	Laden Sie die Akkus auf. Falls Laden nichts nützt, tauschen Sie die Akkus aus.
	Die Schnitthöhe ist zu niedrig.	Vergrößern Sie die Schnitthöhe.
Der Motor erreicht die Maximaldrehzahl nicht.	Die Akkus sind falsch eingesetzt.	Setzen Sie die Akkus gemäß der Beschreibung in dieser Anleitung ein.
	Die Akkuleistung lässt nach.	Laden Sie die Akkus auf. Falls Laden nichts nützt, tauschen Sie die Akkus aus.
	Das Antriebssystem funktioniert nicht korrekt.	Wenden Sie sich bezüglich einer Reparatur an Ihr autorisiertes Kundendienstzentrum.
Das Mähermesser dreht sich nicht: ⇒ Stoppen Sie den Mäher unverzüglich!	Ein Fremdkörper, wie z. B. ein Ast, hat sich in der Nähe des Messers verklemmt.	Entfernen Sie den Fremdkörper.
	Das Antriebssystem funktioniert nicht korrekt.	Wenden Sie sich bezüglich einer Reparatur an Ihr autorisiertes Kundendienstzentrum.
Ungewöhnliche Vibration: ⇒ Stoppen Sie den Mäher unverzüglich!	Das Messer ist unausgeglichen, übermäßig oder ungleichmäßig abgenutzt.	Tauschen Sie das Messer aus.

SONDERZUBEHÖR

⚠️ VORSICHT: Die folgenden Zubehörteile oder Vorrichtungen werden für den Einsatz mit dem in dieser Anleitung beschriebenen Makita-Werkzeug empfohlen. Die Verwendung anderer Zubehörteile oder Vorrichtungen kann eine Verletzungsgefahr darstellen. Verwenden Sie Zubehörteile oder Vorrichtungen nur für ihren vorgesehenen Zweck.

Wenn Sie weitere Einzelheiten bezüglich dieser Zubehörteile benötigen, wenden Sie sich bitte an Ihre Makita-Kundendienststelle.

- Mähermesser
- Mulchstopfen
- Original-Makita-Akku und -Ladegerät

HINWEIS: Manche Teile in der Liste können als Standardzubehör im Werkzeugsatz enthalten sein. Sie können von Land zu Land unterschiedlich sein.

Makita Europe N.V. Jan-Baptist Vinkstraat 2,
3070 Kortenberg, Belgium

Makita Corporation 3-11-8, Sumiyoshi-cho,
Anjo, Aichi 446-8502 Japan

www.makita.com

885748A976 EN, PL, HU, SK, CS, UK, RO, DE 20200323
