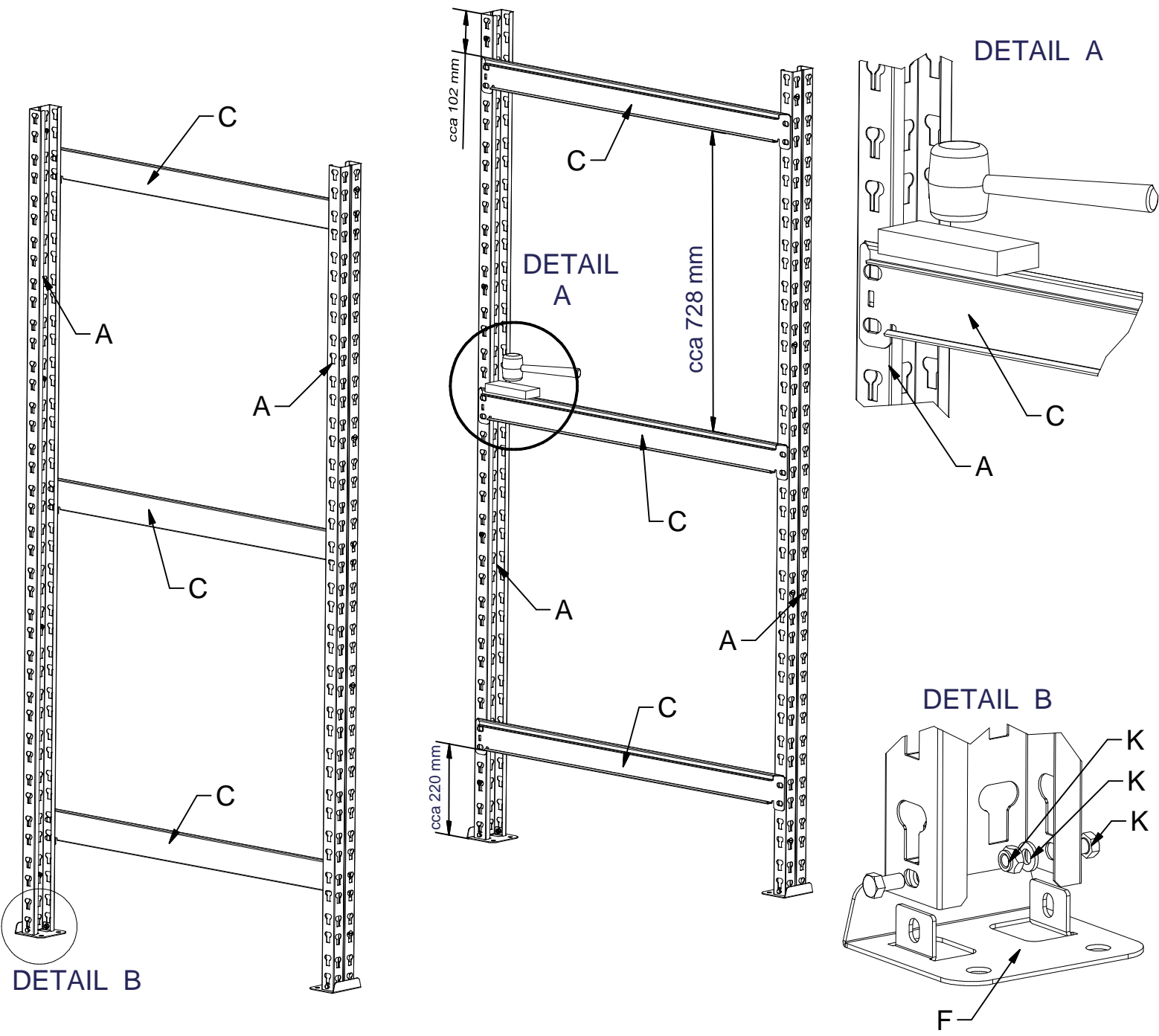
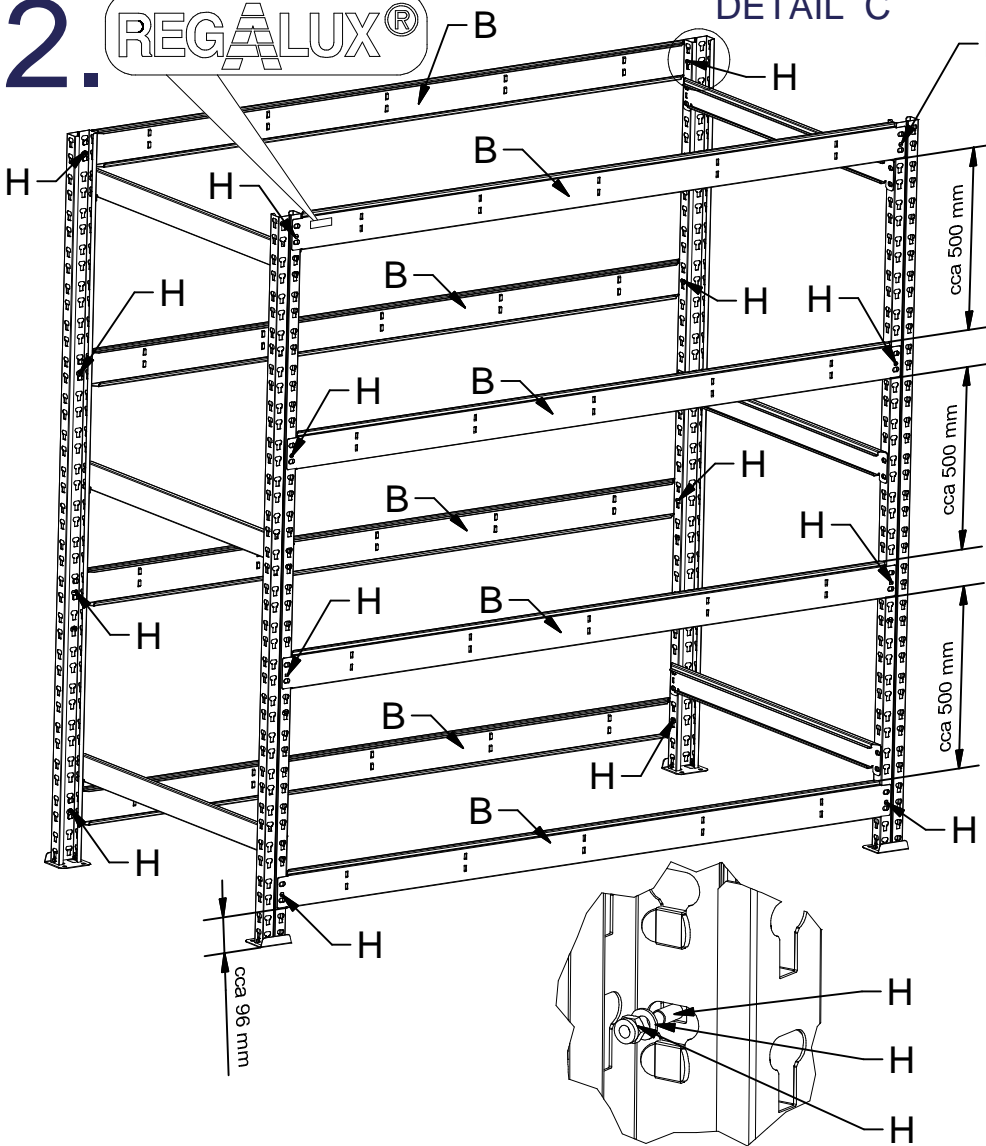


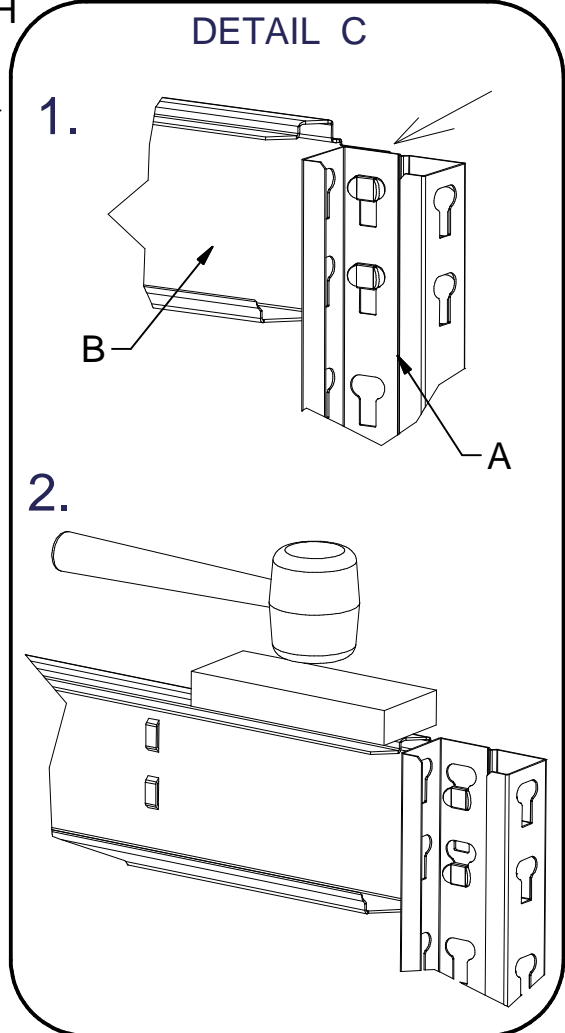
1.



2.

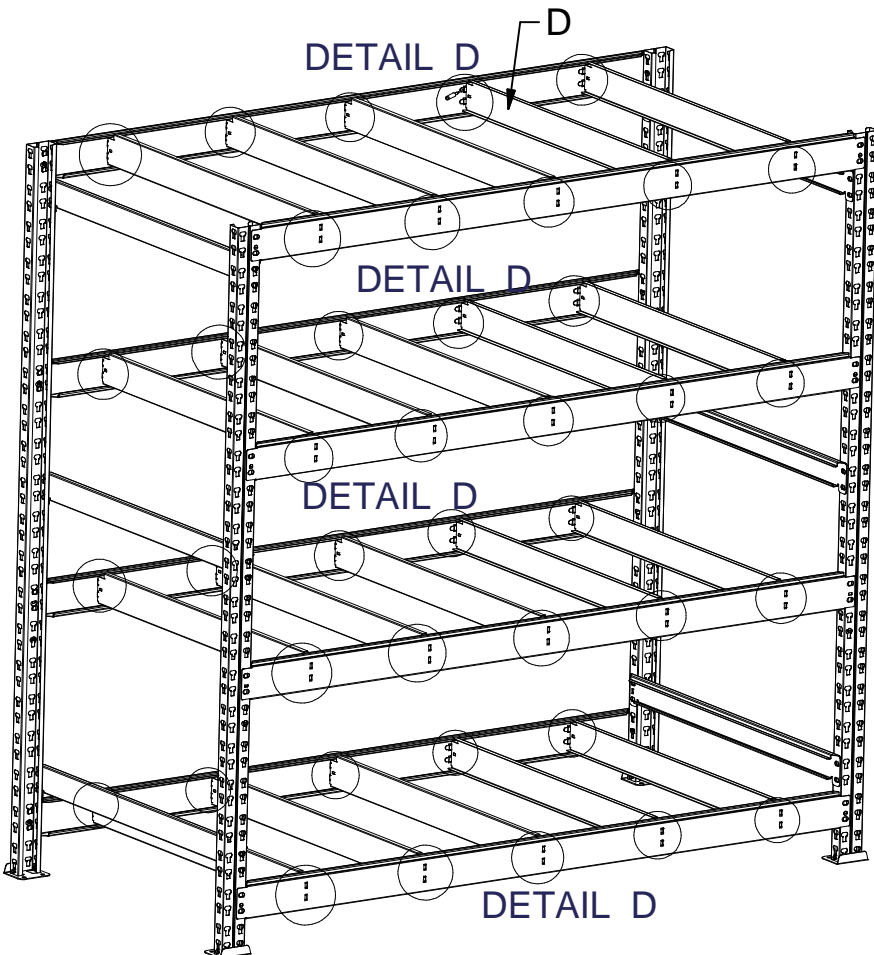


DETAIL C



DETAIL C

3.

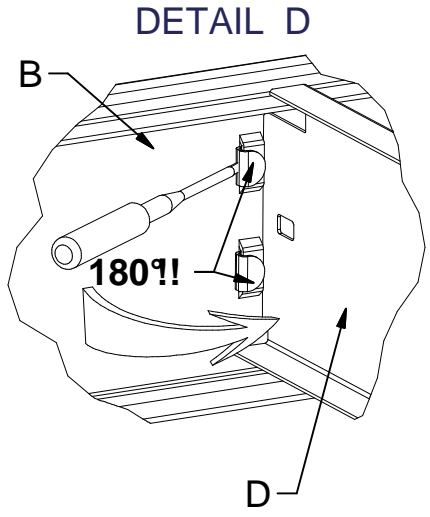


DETAIL D

DETAIL D

DETAIL D

DETAIL D



DETAIL D

180°!



