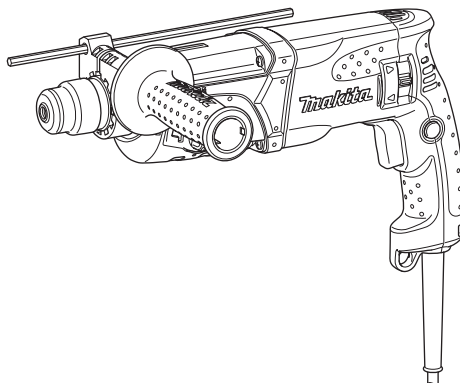




<b>EN</b>	Rotary Hammer	INSTRUCTION MANUAL	5
<b>UK</b>	Перфоратор	ІНСТРУКЦІЯ З ЕКСПЛУАТАЦІЇ	10
<b>PL</b>	Wiertarka udarowa	INSTRUKCJA OBSŁUGI	15
<b>RO</b>	Ciocan rotopercutor	MANUAL DE INSTRUCȚIUNI	21
<b>DE</b>	Bohrhammer	BEDIENUNGSANLEITUNG	26
<b>HU</b>	Fúrókalapács	HASZNÁLATI KÉZIKÖNYV	32
<b>SK</b>	Vrtacie kladivo	NÁVOD NA OBSLUHU	37
<b>CS</b>	Vrtací a sekací kladivo	NÁVOD K OBSLUZE	42

**HR2470**  
**HR2470F**  
**HR2470FT**  
**HR2470T**



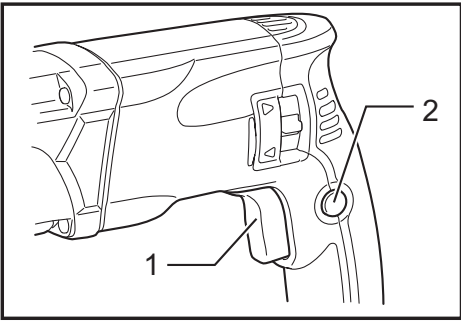


Fig.1

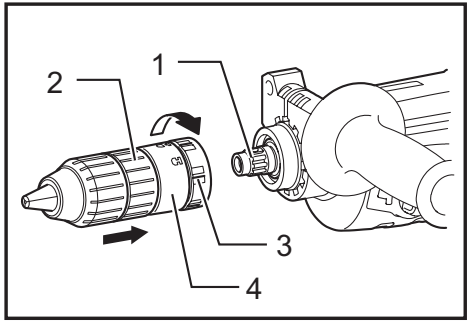


Fig.5

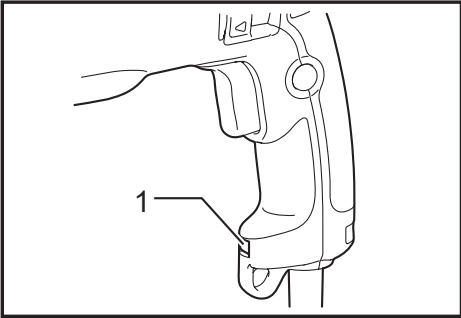


Fig.2

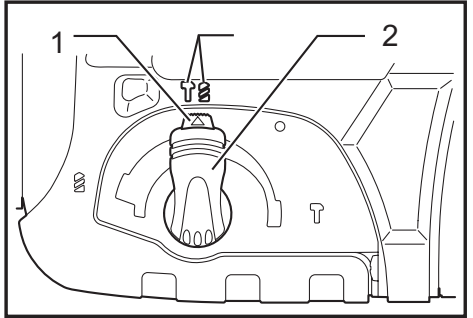


Fig.6

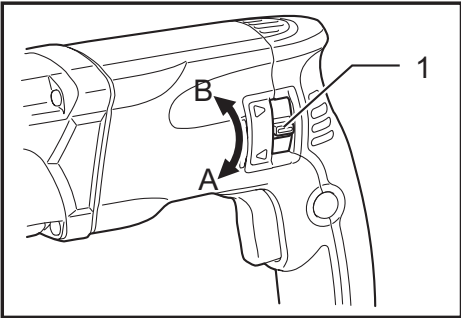


Fig.3

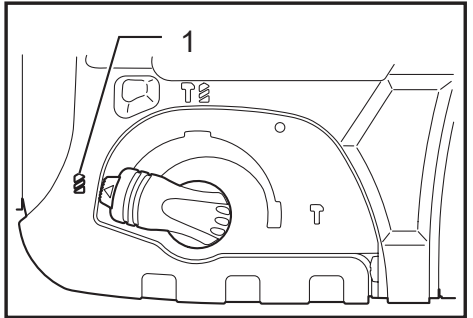


Fig.7

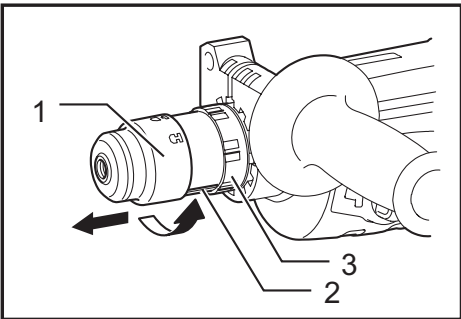


Fig.4

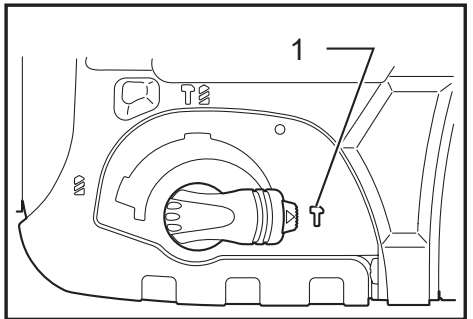


Fig.8

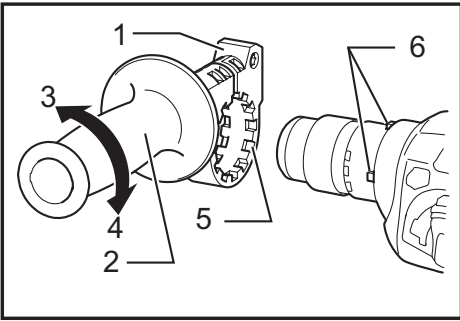


Fig.9

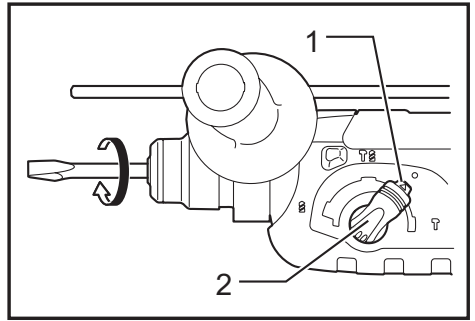


Fig.13

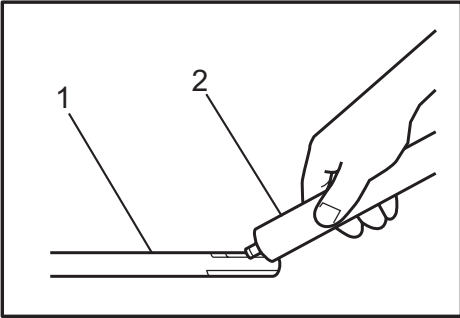


Fig.10

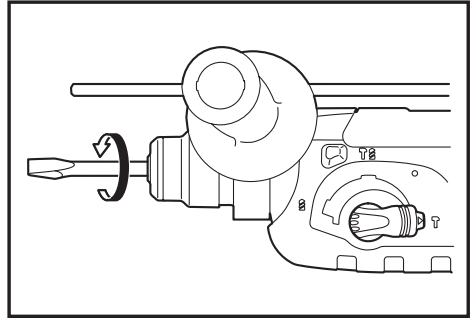


Fig.14

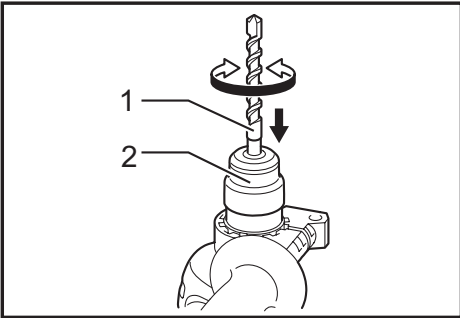


Fig.11

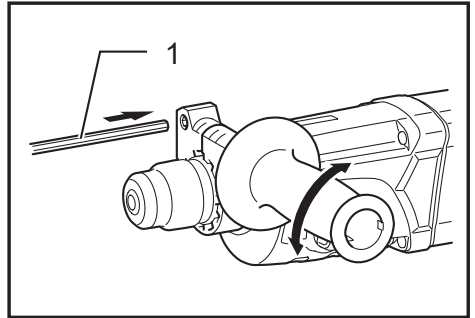


Fig.15

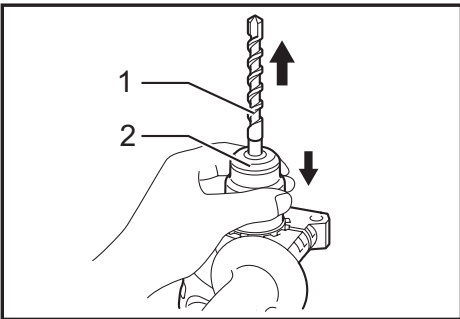


Fig.12

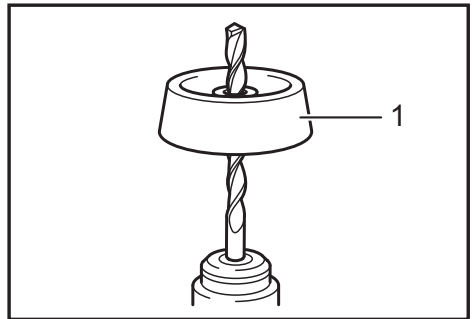


Fig.16

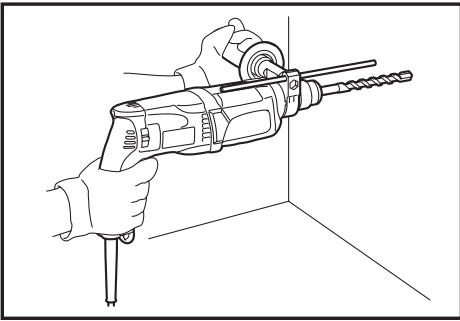


Fig.17

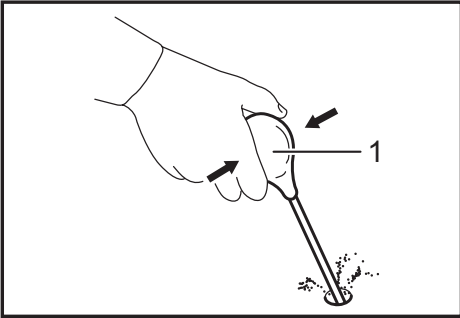


Fig.18

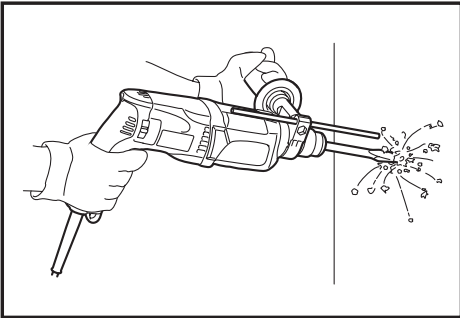


Fig.19

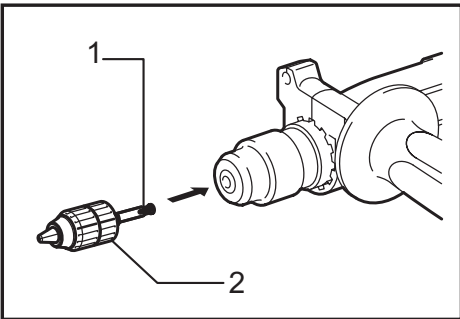


Fig.20

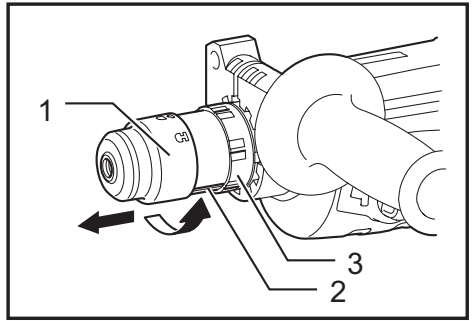


Fig.21

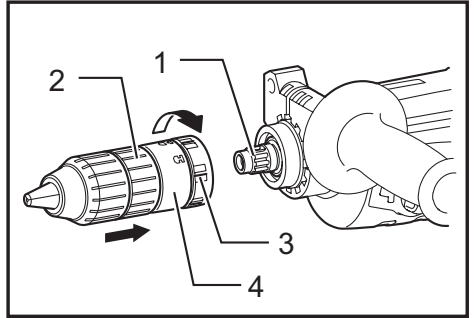


Fig.22

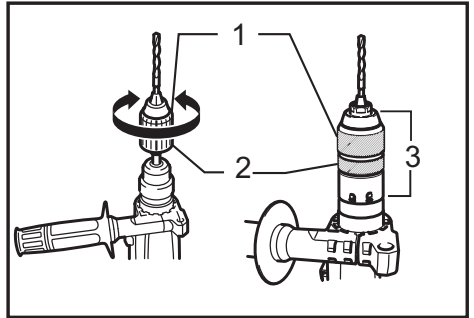


Fig.23

# SPECIFICATIONS

Model			HR2470/HR2470F	HR2470T/HR2470FT
Capacities	Concrete	Tungsten-carbide tipped bit	24 mm	
		Core bit	54 mm	
		Diamond core bit (dry type)	65 mm	
	Steel		13 mm	
	Wood		32 mm	
No load speed (min <sup>-1</sup> )			0 - 1,100	
Blows per minute			0 - 4,500	
Overall length			370 mm	394 mm
Net weight			2.9 kg	3.0 kg
Safety class			□/II	

- Due to our continuing program of research and development, the specifications herein are subject to change without notice.
- Specifications may differ from country to country.
- Weight according to EPTA-Procedure 01/2003

## Intended use

The tool is intended for hammer drilling and drilling in brick, concrete and stone as well as for chiselling work. It is also suitable for drilling without impact in wood, metal, ceramic and plastic.

## Power supply

The tool should be connected only to a power supply of the same voltage as indicated on the nameplate, and can only be operated on single-phase AC supply. They are double-insulated and can, therefore, also be used from sockets without earth wire.

## Noise

The typical A-weighted noise level determined according to EN60745:

- Sound pressure level ( $L_{pA}$ ): 90 dB (A)
- Sound power level ( $L_{WA}$ ): 101 dB (A)
- Uncertainty (K): 3 dB (A)

### Wear ear protection

## Vibration

The vibration total value (tri-axial vector sum) determined according to EN60745:

- Work mode : chiselling
- Vibration emission ( $a_{h,CHeg}$ ): 12.5 m/s<sup>2</sup>
- Uncertainty (K): 1.5 m/s<sup>2</sup>
- Work mode : hammer drilling into concrete
- Vibration emission ( $a_{h,HD}$ ): 15.5 m/s<sup>2</sup>
- Uncertainty (K): 1.5 m/s<sup>2</sup>
- Work mode: drilling into metal
- Vibration emission ( $a_{h,D}$ ): 4.5 m/s<sup>2</sup>
- Uncertainty (K): 1.5 m/s<sup>2</sup>

**NOTE:** The declared vibration emission value has been measured in accordance with the standard test method and may be used for comparing one tool with another.

**NOTE:** The declared vibration emission value may also be used in a preliminary assessment of exposure.

**⚠ WARNING:** The vibration emission during actual use of the power tool can differ from the declared emission value depending on the ways in which the tool is used.

**⚠ WARNING:** Be sure to identify safety measures to protect the operator that are based on an estimation of exposure in the actual conditions of use (taking account of all parts of the operating cycle such as the times when the tool is switched off and when it is running idle in addition to the trigger time).

## EC Declaration of Conformity

### For European countries only

The EC declaration of conformity is included as Annex A to this instruction manual.

## General Power Tool Safety Warnings

**⚠WARNING** Read all safety warnings and all instructions. Failure to follow the warnings and instructions may result in electric shock, fire and/or serious injury.

**Save all warnings and instructions for future reference.**

## ROTARY HAMMER SAFETY WARNINGS

1. **Wear ear protectors.** Exposure to noise can cause hearing loss.
2. **Use auxiliary handle(s), if supplied with the tool.** Loss of control can cause personal injury.
3. **Hold power tool by insulated gripping surfaces, when performing an operation where the cutting accessory may contact hidden wiring or its own cord.** Cutting accessory contacting a "live" wire may make exposed metal parts of the power tool "live" and could give the operator an electric shock.
4. **Wear a hard hat (safety helmet), safety glasses and/or face shield. Ordinary eye or sun glasses are NOT safety glasses. It is also highly recommended that you wear a dust mask and thickly padded gloves.**
5. **Be sure the bit is secured in place before operation.**
6. **Under normal operation, the tool is designed to produce vibration. The screws can come loose easily, causing a breakdown or accident. Check tightness of screws carefully before operation.**
7. **In cold weather or when the tool has not been used for a long time, let the tool warm up for a while by operating it under no load. This will loosen up the lubrication. Without proper warm-up, hammering operation is difficult.**
8. **Always be sure you have a firm footing. Be sure no one is below when using the tool in high locations.**
9. **Hold the tool firmly with both hands.**
10. **Keep hands away from moving parts.**
11. **Do not leave the tool running. Operate the tool only when hand-held.**
12. **Do not point the tool at any one in the area when operating. The bit could fly out and injure someone seriously.**
13. **Do not touch the bit or parts close to the bit immediately after operation; they may be extremely hot and could burn your skin.**
14. **Some material contains chemicals which may be toxic. Take caution to prevent dust inhalation and skin contact. Follow material supplier safety data.**

## SAVE THESE INSTRUCTIONS.

**⚠WARNING:** DO NOT let comfort or familiarity with product (gained from repeated use) replace strict adherence to safety rules for the subject product. MISUSE or failure to follow the safety rules stated in this instruction manual may cause serious personal injury.

## FUNCTIONAL DESCRIPTION

### ⚠CAUTION:

- Always be sure that the tool is switched off and unplugged before adjusting or checking function on the tool.

### Switch action

► Fig.1: 1. Switch trigger 2. Lock button

### ⚠CAUTION:

- Before plugging in the tool, always check to see that the switch trigger actuates properly and returns to the "OFF" position when released.

To start the tool, simply pull the switch trigger. Tool speed is increased by increasing pressure on the switch trigger. Release the switch trigger to stop. For continuous operation, pull the switch trigger and then push in the lock button. To stop the tool from the locked position, pull the switch trigger fully, then release it.

## Lighting up the lamps

### For Model HR2470F/2470FT

► Fig.2: 1. Lamp

### ⚠CAUTION:

- Do not look in the light or see the source of light directly.

To turn on the lamp, pull the trigger. Release the trigger to turn it off.

### NOTE:

- Use a dry cloth to wipe the dirt off the lens of lamp. Be careful not to scratch the lens of lamp, or it may lower the illumination.

## Reversing switch action

► Fig.3: 1. Reversing switch lever

### ⚠CAUTION:

- Always check the direction of rotation before operation.
- Use the reversing switch only after the tool comes to a complete stop. Changing the direction of rotation before the tool stops may damage the tool.
- If the switch trigger can not be depressed, check to see that the reversing switch is fully set to position ◁ (A side) or ▷ (B side).

This tool has a reversing switch to change the direction of rotation. Move the reversing switch lever to the ◁ position (A side) for clockwise rotation or the ▷ position (B side) for counterclockwise rotation.

## Changing the quick change chuck for SDS-plus

### For model HR2470T/HR2470FT



The quick change chuck for SDS-plus can be easily exchanged for the quick change drill chuck.

### Removing the quick change chuck for SDS-plus

- **Fig.4:** 1. Quick change chuck for SDS-plus  
2. Change cover line 3. Change cover




#### ⚠ CAUTION:

- Before removing the quick change chuck for SDS-plus, always remove the bit.

Grasp the change cover of the quick change chuck for SDS-plus and turn in the direction of the arrow until the change cover line moves from the  symbol to the  symbol. Pull forcefully in the direction of the arrow.

### Attaching the quick change drill chuck


- **Fig.5:** 1. Spindle 2. Quick change drill chuck  
3. Change cover line 4. Change cover

Check the line of the quick change drill chuck shows the  symbol. Grasp the change cover of the quick change drill chuck and set the line to the  symbol. Place the quick change drill chuck on the spindle of the tool. Grasp the change cover of the quick change drill chuck and turn the change cover line to the  symbol until a click can clearly be heard.

## Selecting the action mode


### Rotation with hammering

- **Fig.6:** 1. Lock button 2. Action mode changing knob

For drilling in concrete, masonry, etc., depress the lock button and rotate the action mode changing knob to the  symbol. Use a tungsten-carbide tipped bit.


### Rotation only

- **Fig.7:** 1. Rotation only

For drilling in wood, metal or plastic materials, depress the lock button and rotate the action mode changing knob to the  symbol. Use a twist drill bit or wood bit.

### Hammering only

- **Fig.8:** 1. Hammering only

For chipping, scaling or demolition operations, depress the lock button and rotate the action mode changing knob to the  symbol. Use a bull point, cold chisel, scaling chisel, etc.

#### ⚠ CAUTION:

- Do not rotate the action mode changing knob when the tool is running under load. The tool will be damaged.
- To avoid rapid wear on the mode change mechanism, be sure that the action mode changing knob is always positively located in one of the three action mode positions.

## Torque limiter

The torque limiter will actuate when a certain torque level is reached. The motor will disengage from the output shaft. When this happens, the bit will stop turning.

#### ⚠ CAUTION:

- As soon as the torque limiter actuates, switch off the tool immediately. This will help prevent premature wear of the tool.
- Bits such as hole saw, which tend to pinch or catch easily in the hole, are not appropriate for this tool. This is because they will cause the torque limiter to actuate too frequently.

## ASSEMBLY

#### ⚠ CAUTION:

- Always be sure that the tool is switched off and unplugged before carrying out any work on the tool.

## Side grip (auxiliary handle)

- **Fig.9:** 1. Grip base 2. Side grip 3. Loosen 4. Tighten  
5. Teeth 6. Protrusion

#### ⚠ CAUTION:

- Always use the side grip to ensure operating safety.

Install the side grip so that the teeth on the grip fit in between the protrusions on the tool barrel. Then tighten the grip by turning clockwise at the desired position. It may be swung 360° so as to be secured at any position.

## Bit grease

Coat the bit shank head beforehand with a small amount of bit grease (about 0.5 - 1 g). This chuck lubrication assures smooth action and longer service life.

## Installing or removing the bit

- **Fig.10:** 1. Bit shank 2. Bit grease

Clean the bit shank and apply bit grease before installing the bit.

- **Fig.11:** 1. Bit 2. Chuck cover

Insert the bit into the tool. Turn the bit and push it in until it engages.

After installing, always make sure that the bit is securely held in place by trying to pull it out.

To remove the bit, pull the chuck cover down all the way and pull the bit out.

- **Fig.12:** 1. Bit 2. Chuck cover

## Bit angle (when chipping, scaling or demolishing)

- **Fig.13:** 1. Lock button 2. Action mode changing knob

The bit can be secured at the desired angle. To change the bit angle, depress the lock button and rotate the action mode changing knob to the **O** symbol. Turn the bit to the desired angle.

Depress the lock button and rotate the action mode changing knob to the **T** symbol. Then make sure that the bit is securely held in place by turning it slightly.

- **Fig.14**

## Depth gauge

- **Fig.15:** 1. Depth gauge

The depth gauge is convenient for drilling holes of uniform depth. Loosen the side grip and insert the depth gauge into the hole in the side grip. Adjust the depth gauge to the desired depth and tighten the side grip.

### NOTE:

- The depth gauge cannot be used at the position where the depth gauge strikes against the gear housing.

## Dust cup

- **Fig.16:** 1. Dust cup

Use the dust cup to prevent dust from falling over the tool and on yourself when performing overhead drilling operations. Attach the dust cup to the bit as shown in the figure. The size of bits which the dust cup can be attached to is as follows.

	Bit diameter
Dust cup 5	6 mm - 14.5 mm
Dust cup 9	12 mm - 16 mm

# OPERATION

## Hammer drilling operation

- **Fig.17**

Set the action mode changing knob to the **T** symbol. Position the bit at the desired location for the hole, then pull the switch trigger.

Do not force the tool. Light pressure gives best results. Keep the tool in position and prevent it from slipping away from the hole.

Do not apply more pressure when the hole becomes clogged with chips or particles. Instead, run the tool at an idle, then remove the bit partially from the hole. By repeating this several times, the hole will be cleaned out and normal drilling may be resumed.

### CAUTION:

- There is a tremendous and sudden twisting force exerted on the tool/bit at the time of hole break-through, when the hole becomes clogged with chips and particles, or when striking reinforcing rods embedded in the concrete. Always use the side grip (auxiliary handle) and firmly hold the tool by both side grip and switch handle during operations. Failure to do so may result in the loss of control of the tool and potentially severe injury.

**NOTE:** Eccentricity in the bit rotation may occur while operating the tool with no load. The tool automatically centers itself during operation. This does not affect the drilling precision.

## Blow-out bulb (optional accessory)

- **Fig.18:** 1. Blow-out bulb

After drilling the hole, use the blow-out bulb to clean the dust out of the hole.

## Chipping/Scaling/Demolition

- **Fig.19**

Set the action mode changing knob to the **T** symbol. Hold the tool firmly with both hands. Turn the tool on and apply slight pressure on the tool so that the tool will not bounce around, uncontrolled. Pressing very hard on the tool will not increase the efficiency.

## Drilling in wood or metal

- **Fig.20:** 1. Chuck adapter 2. Keyless drill chuck

- **Fig.21:** 1. Quick change chuck for SDS-plus  
2. Change cover line 3. Change cover

- **Fig.22:** 1. Spindle 2. Quick change drill chuck  
3. Change cover line 4. Change cover

- **Fig.23:** 1. Sleeve 2. Ring 3. Quick change drill chuck

## For Model HR2470/HR2470F

Use the optional drill chuck assembly. When installing it, refer to "Installing or removing the bit" described on the previous page.

## For model HR2470T/HR2470FT

Use the quick change drill chuck as standard equipment. When installing it, refer to "changing the quick change chuck for SDS-plus" described on the previous page.


Hold the ring and turn the sleeve counterclockwise to open the chuck jaws. Place the bit in the chuck as far as it will go. Hold the ring firmly and turn the sleeve clockwise to tighten the chuck. To remove the bit, hold the ring and turn the sleeve counterclockwise.

Set the action mode changing knob to the **B** symbol. You can drill up to 13 mm diameter in metal and up to 32 mm diameter in wood.

### **⚠ CAUTION:**

- Never use "rotation with hammering" when the quick change drill chuck is installed on the tool. The quick change drill chuck may be damaged. Also, the drill chuck will come off when reversing the tool.
- Pressing excessively on the tool will not speed up the drilling. In fact, this excessive pressure will only serve to damage the tip of your bit, decrease the tool performance and shorten the service life of the tool.
- There is a tremendous twisting force exerted on the tool/bit at the time of hole breakthrough. Hold the tool firmly and exert care when the bit begins to break through the workpiece.
- A stuck bit can be removed simply by setting the reversing switch to reverse rotation in order to back out. However, the tool may back out abruptly if you do not hold it firmly.
- Always secure small workpieces in a vise or similar hold-down device.

## **Diamond core drilling**

When performing diamond core drilling operations, always set the change lever to the  position to use "rotation only" action.

### **⚠ CAUTION:**

- If performing diamond core drilling operations using "rotation with hammering" action, the diamond core bit may be damaged.

## **MAINTENANCE**

### **⚠ CAUTION:**

- Always be sure that the tool is switched off and unplugged before attempting to perform inspection or maintenance.
- Never use gasoline, benzine, thinner, alcohol or the like. Discoloration, deformation or cracks may result.

To maintain product SAFETY and RELIABILITY, repairs, carbon brush inspection and replacement, any other maintenance or adjustment should be performed by Makita Authorized Service Centers, always using Makita replacement parts.

## **OPTIONAL ACCESSORIES**

### **⚠ CAUTION:**

- These accessories or attachments are recommended for use with your Makita tool specified in this manual. The use of any other accessories or attachments might present a risk of injury to persons. Only use accessory or attachment for its stated purpose.

If you need any assistance for more details regarding these accessories, ask your local Makita Service Center.

- SDS-Plus Carbide-tipped bits
- Bull point
- Cold chisel
- Scaling chisel
- Grooving chisel
- Drill chuck assembly
- Drill chuck S13
- Chuck adapter
- Chuck key S13
- Bit grease
- Side grip
- Depth gauge
- Blow-out bulb
- Dust cup
- Dust extractor attachment
- Safety goggles
- Plastic carrying case
- Keyless drill chuck

### **NOTE:**

- Some items in the list may be included in the tool package as standard accessories. They may differ from country to country.

## ТЕХНІЧНІ ХАРАКТЕРИСТИКИ

Модель			HR2470/HR2470F	HR2470T/HR2470FT
Діаметр свердління	Бетон	Свердло із наконечником з карбід вольфраму	24 мм	
		Колонкове свердло	54 мм	
		Свердло із алмазним сердечником (сухе)	65 мм	
	Сталь		13 мм	
	Деревина		32 мм	
Швидкість без навантаження ( $\text{хв}^{-1}$ )			0 - 1100	
Ударів за хвилину			0 - 4500	
Загальна довжина			370 мм	394 мм
Чиста вага			2,9 кг	3,0 кг
Клас безпеки			□/л/	

- Через те, що ми не припиняємо програми досліджень і розвитку, наведені тут технічні характеристики можуть бути змінені без попередження.
- У різних країнах технічні характеристики можуть бути різними.
- Вага відповідно до ЕРТА-Procedure 01/2003

### Призначення

Інструмент призначено для ударного свердління та свердління цегли, бетону та камення, а також довбання.

Можна також застосовувати для не ударного свердління деревини, металу, кераміки та пластмаси.

### Джерело живлення

Інструмент можна підключати лише до джерела живлення, що має напругу, зазначену в таблиці із заводськими характеристиками, і він може працювати лише від однофазного джерела змінного струму. Він має подвійну ізоляцію, а отже може також підключатися до розеток без лінії заземлення.

### Шум

Рівень шуму за шкалою А у типовому виконанні, визначений відповідно до EN60745:

Рівень звукового тиску ( $L_{\text{РА}}$ ): 90 дБ (А)

Рівень звукової потужності ( $L_{\text{WA}}$ ): 101 дБ (А)

Похибка (К): 3 дБ (А)

**Користуйтеся засобами захисту слуху**

### Вібрація

Загальна величина вібрації (сума трьох векторів) визначена згідно з EN60745:

Режим роботи: довбання

Вібрація ( $a_{\text{h,CHeq}}$ ): 12,5  $\text{м/с}^2$

Похибка (К): 1,5  $\text{м/с}^2$

Режим роботи: свердління бетону

Вібрація ( $a_{\text{h,HD}}$ ): 15,5  $\text{м/с}^2$

Похибка (К): 1,5  $\text{м/с}^2$

Режим роботи: свердління металу

Вібрація ( $a_{\text{h,D}}$ ): 4,5  $\text{м/с}^2$

Похибка (К): 1,5  $\text{м/с}^2$

**ПРИМІТКА:** Заявлене значення вібрації було виміряно у відповідності до стандартних методів тестування та може використовуватися для порівняння одного інструмента з іншим.

**ПРИМІТКА:** Заявлене значення вібрації може також використовуватися для попередньої оцінки впливу.

**▲ ПОПЕРЕДЖЕННЯ:** Залежно від умов використання вібрація під час фактичної роботи інструмента може відрізнятися від заявленого значення вібрації.

**▲ ПОПЕРЕДЖЕННЯ:** Забезпечте належні запобіжні заходи для захисту оператора, що відповідатимуть умовам використання інструмента (слід брати до уваги всі складові робочого циклу, такі як час, коли інструмент вимкнено та коли він починає працювати на холостому ході під час запуску).

## Декларація про відповідність стандартам ЄС

### Тільки для країн Європи

Декларацію про відповідність стандартам ЄС наведено в Додатку А до цієї інструкції з експлуатації.

## Застереження стосовно техніки безпеки при роботі з електроприладами

**⚠УВАГА!** Прочитайте усі застереження стосовно техніки безпеки та всі інструкції. Недотримання даних застережень та інструкцій може призвести до ураження струмом та виникнення пожежі та/або серйозних травм.

**Збережіть усі інструкції з техніки безпеки та експлуатації на майбутнє.**

## ПОПЕРЕДЖЕННЯ ПРО НЕБЕЗПЕКУ ПІД ЧАС РОБОТИ З ПЕРФОРАТОРОМ

1. Слід одягати захисні навушники. Незахищеність від шуму може спричинити до втрати слуху.
2. Використовуйте допоміжну(і) ручку(и), якщо вона(и) поставляються разом з інструментом. Втрата контролю може призвести до травм.
3. Тримайте електроприлад за ізольовані поверхні держачка під час виконання дії, за якої він може зачепити сховану електропроводку або власний шнур. Торкання ріжучим приладом струмоведучої проводки може призвести до передання напруги до оголених металевих частин інструмента та ураженню оператора електричним струмом.
4. Слід одягати каску (захисний шолом), захисні окуляри та/або щиток-маску. Звичайні окуляри або темні окуляри для захисту від сонця НЕ Є захисними окулярами. Настійно рекомендовано одягати пілозахисну маску та щільно набиті рукавиці.
5. Перед початком роботи обов'язково перевірте, щоб полотно було надійно закріплене в робочому положенні.
6. При нормальній роботі інструмент вібує. Гвинти можуть швидко розбовтатися, що призведе до поломи або поранення. Перед початком роботи слід перевірити міцність затягування гвинтів.
7. Під час холодної погоди або якщо інструмент не використовувався довгий час, його слід розігріти, давши попрацювати якийсь час на холостому ході. Це розм'якшить мастило. Якщо не провести розігрів, забивання буде важким.
8. Завжди майте тверду опору. При виконанні висотних робіт переконайтеся, що під Вами нікого немає.
9. Міцно тримай інструмент обома руками.
10. Тримай руки на відстані від рухомих частин.
11. Не залишайте інструмент працюючим. Працюйте з інструментом тільки тоді, коли тримаєте його в руках.
12. Під час роботи ніколи не спрямовуй інструмент на людину, що знаходиться поруч з місцем роботи. Полотно може вискочити та завдати серйозної травми.
13. Не слід торкатися полотна або частин, що примикають до нього, одразу після різання, вони можуть бути дуже гарячими та призвести до опіку шкіри.
14. Деякі матеріали мають у своєму складі токсичні хімічні речовини. Будьте уважні, щоб запобігти вдихання пилу та контактів зі шкірою. Дотримуйтеся правил техніки безпеки виробника матеріалу .

**ЗБЕРІГАЙТЕ ЦІ ВКАЗІВКИ.**

**⚠ПОПЕРЕДЖЕННЯ:** НІКОЛИ НЕ СЛІД втрачати пильності та розслаблюватися під час користування виробом (що трапляється при частому використанні); слід завжди строго дотримуватися правил безпеки під час використання цього пристрою. **НЕНАЛЕЖНЕ ВИКОРИСТАННЯ** або недотримання правил безпеки, викладених в цьому документі, може призвести до серйозних травм.

## ІНСТРУКЦІЯ З ВИКОРИСТАННЯ

### ⚠ОБЕРЕЖНО:

- Перед регулюванням та перевіркою справності інструменту, переконайтеся в тому, що він вимкнений та відключений від мережі.

### Дія вимикача

► Рис.1: 1. Курковий вмикач 2. Фіксатор

### ⚠ОБЕРЕЖНО:

- Перед вмиканням інструменту у мережу обов'язково перевірте, чи кнопка вимикача нормально спрацьовує і після відпускання повертається в положення "вимкнено".

Для того, щоб запустити інструмент, слід просто натиснути на курок вмикача. Швидкість обертання інструмента збільшується шляхом збільшення тиску на курок вмикача. Для зупинення роботи курок слід відпустити. Для безперервної роботи слід натиснути на курок вмикача, а потім - на кнопку блокування. Для того, щоб зупинити інструмент із заблокованого положення, слід повністю натиснути на курок вмикача, а потім відпустити його.

### Увімкнення підсвітки

### Для моделі HR2470F/2470FT

► Рис.2: 1. Ліхтар

### ⚠ОБЕРЕЖНО:

- Не дивіться на світло або безпосередньо на джерело світла.

Для того, щоб увімкнути підсвічування, натисніть курок вмикача. Для вимкнення підсвічування відпустіть курок.

#### ПРИМІТКА:

- Для видалення бруду з лінзи підсвітки користуйтеся сухою тканиною. Будьте обережні, щоб не подряпати лінзу підсвітки, тому що можна погіршити освітлювання.

## Дія вимикача зворотного ходу

► **Рис.3:** 1. Важіль перемикача реверсу

#### ⚠ОБЕРЕЖНО:

- Перед початком роботи слід завжди перевіряти напрямок обертання.
- Перемикач зворотного ходу можна використовувати тільки після повної зупинки інструмента. Зміна напрямку обертання до повної зупинки інструмента може його пошкодити.
- Якщо на курок неможна натиснути, слід перевірити, щоб важіль перемикача зворотного ходу був пересунутий в положення ◀ (сторона "А") або ▶ (сторона "В").

Інструмент обладнаний перемикачем зворотного ходу для зміни напрямку обертання. Для обертання по годинниковій стрілці перемикач зворотного ходу слід пересунути в положення ◀ (сторона "А"), проти годинникової стрілки - в положення ▶ (сторона "В").

## Заміна швидкороз'ємного патрона для SDS-plus

### Для моделі HR2470T/HR2470FT



Швидкороз'ємний патрон для SDS-plus можна легко замінити на швидкороз'ємний патрон для свердел.

### Зняття швидкороз'ємного патрона для SDS-plus

► **Рис.4:** 1. Швидкороз'ємний патрон для SDS-plus  
2. Лінія змінної кришки 3. Змінна кришка




#### ⚠ОБЕРЕЖНО:

- Перед зняттям швидкороз'ємного патрона для SDS-plus слід завжди знімати свердло.

Візьміться за змінну кришку швидкороз'ємного патрона для SDS-plus та поверніть її у напрямку, що вказаний стрілкою, щоб лінія кришки пересунулась з символу  до символу . Із силою потягніть у напрямку, що вказаний стрілкою.

### Встановлення швидкороз'ємного патрона для свердел


► **Рис.5:** 1. Шпindel 2. Швидкорознімний патрон  
3. Лінія змінної кришки 4. Змінна кришка

Перевірте, щоб на лінії швидкороз'ємного патрона для свердел був вказаний символ . Візьміться за змінну кришку швидкороз'ємного патрона для свердел та пересуньте лінію до символу . Встановіть швидкороз'ємний патрон для свердел на шпindel інструмента. Візьміться за змінну кришку швидкороз'ємного патрона для свердел та повертайте змінну кришку до символу , доки не почуєте виразний щиклик.

## Вибір режиму роботи


### Обертання із відбиванням

► **Рис.6:** 1. Фіксатор 2. Ручка зміни режиму роботи

Для свердлення бетону, кладки та ін., слід віджати кнопку блокування та повернути ручку зміни режиму таким чином, щоб покажчик вказував на символ . Слід використовувати свердло із наконечником з карбиду вольфраму.


### Тільки обертання

► **Рис.7:** 1. Тільки обертання

Для свердлення дерева, металу або пластика слід віджати кнопку блокування та перемкнути ручку зміни режиму роботи на символ . Слід використовувати вите свердло або свердло для деревини.

### Тільки биття

► **Рис.8:** 1. Тільки відбивання

Для операцій з довбання, шкребіння або демонтажу, слід віджати кнопку блокування та повернути ручку зміни режиму таким чином, щоб покажчик вказував на символ . Використовуйте пірамідальне долото, слюсарне зубило, зубило для шкребіння та ін.

#### ⚠ОБЕРЕЖНО:

- Неможна повертати ручку зміни режиму роботи, коли інструмент працює під навантаженням. Інструмент може пошкодитись.
- Для запобігання швидкому зносові механізму зміни режиму, слід перевіряти, щоб ручка зміни режиму завжди був переключений в один з трьох режимів роботи.

## Обмежувач моменту

Обмежувач моменту спрацьовує, коли досягнуто момент певної величини. Мотор відключить зчеплення із вихідним валом. Коли це трапляється свердло перестає обертатись.

#### ⚠ОБЕРЕЖНО:

- Як тільки спрацював обмежувач моменту, інструмент слід негайно вимкнути. Це допоможе уникнути передчасного зносу інструмента.
- Наконечники, такі як пила для виконання отворів, які легко застряють в отворі, не підходять для використання на цьому інструменті. Це призведе до занадто частого спрацьовування обмежувача моменту.

## КОМПЛЕКТУВАННЯ

#### ⚠ОБЕРЕЖНО:

- Перед тим, як щось встановлювати на інструмент, переконайтеся в тому, що він вимкнений та відключений від мережі.

## Бокова ручка (допоміжна ручка)

- **Рис.9:** 1. Основа ручки 2. Бокова рукоятка  
3. Послабити 4. Затягнути 5. Зубці  
6. Виступ

### ⚠ ОБЕРЕЖНО:

- Для забезпечення безпечної роботи слід завжди триматись за бокову ручку.

Встановіть бокову ручку таким чином, щоб зубці на ручці увійшли у виступи на барабані інструмента. Потім затягніть ручку, повернувши її по годинниковій стрілці в необхідному положенні. Її можна пересувати на 360°, щоб закріпити в будь-якому положенні.

## Масило для свердла

Заздалегідь змащуйте потилицю свердла невеликою кількістю мастила для свердла (біля 0,5 - 1 г). Таке змащення патрона забезпечує гладку роботу та довший термін служби.

## Встановлення та зняття наконечників

- **Рис.10:** 1. Потилиця свердла 2. Масило для свердла

Перед встановленням долота слід вичистити потилицю долота та змастити її.

- **Рис.11:** 1. Свердло 2. Кришка патрона

Вставте долото в інструмент. Проверніть долото та просуньте його, доки воно не стане на місце. Після встановлення слід перевірити, щоб долото було надійно вставлено, спробувавши витягнути його. Для зняття долота слід до упору потягнути вниз кришку патрона та витягти свердло.

- **Рис.12:** 1. Свердло 2. Кришка патрона

## Кут долота (під час довбання, шкребіння або демонтажу)

- **Рис.13:** 1. Фіксатор 2. Ручка зміни режиму роботи

Долото можна закріпити під необхідним кутом. Для зміни кута долота слід натиснути на кнопку блокування та перемкнути ручку зміни режиму на мітку **O**. Поверніть долото на необхідний кут. Натисніть на кнопку блокування та поверніть ручку зміни режиму, щоб показчик вказував на мітку **T**. Потім перевірте, щоб долото або зубило було надійно встановлене, злегка повернувши його.

- **Рис.14**

## Обмежувач глибини

- **Рис.15:** 1. Обмежувач глибини

Обмежувач глибини є зручним при свердлінні отворів однакової глибини. Ослабте боковий захват і вставте обмежувач глибини в отвір, передбачений в боковому захваті. Відрегулюйте обмежувач глибини на потрібну глибину і затягніть бокову рукоятку.

### ПРИМІТКА:

- Глибиномір неможна використовувати у положеннях, коли він б'ється об корпус механізму.

## Пилозахисний ковпачок

- **Рис.16:** 1. Пилозахисний ковпачок

Використовуйте пилозахисний ковпачок для запобігання падінню пилу на інструмент та на себе під час свердління. Встановіть пилозахисний ковпачок на свердло, як показано на малюнку. Розміри свердел, на які можна встановлювати пилозахисний ковпачок такі.

	Діаметр свердла
Пилозахисний ковпачок 5	6 мм - 14,5 мм
Пилозахисний ковпачок 9	12 мм - 16 мм

## ЗАСТОСУВАННЯ

### Робота в режимі з ударом

- **Рис.17**

Встановіть режим роботи, перемкнувши ручку на мітку **T**. Поставте свердло в місце, де необхідно зробити отвір, а потім натисніть на курок вмикача. Не треба прикладати силу до інструмента. Невеликий тиск забезпечує найліпші результати. Тримайте інструмент в належному положенні, та не давайте йому вискочити з отвору. Коли отвір засмічується обломками або частками, не треба прикладати більший тиск. Замість цього слід прокрутити інструмент на холостому ході, а потім частково витягнути інструмент з отвору. Якщо це зробити декілька разів, отвір очиститься, і нормальне свердління можна поновити.

### ⚠ ОБЕРЕЖНО:

- Під час пробивання отвору до інструмента/наконечника прикладається величезне зусилля, коли отвір забивається обломками та частками, або коли свердло вдарається об арматуру в бетоні. Слід завжди використовувати бокову ручку (додаткова ручка) та міцно тримати інструмент за бокову ручку та ручку вмикача під час роботи. У протилежному випадку це може призвести до втрати контролю над інструментом та створити потенційну загрозу серйозного поранення.

**ПРИМІТКА:** Якщо інструмент працює без навантаження, під час роботи може спостерігатись ексцентричність в обертанні свердла. Під час роботи інструмент автоматично центрується. На точність свердління це не впливає.

## Повітродувка (додаткове приладдя)

- **Рис.18:** 1. Повітродувка

Після того, як отвір був просвердлений, повітродувкою можна вичистити пил з отвору.

## Довбання/Шкребіння/Демонтаж

- **Рис.19**

Встановіть режим роботи, перемкнувши ручку на мітку **T**. Інструмент слід міцно тримати обома руками. Увімкніть інструмент та злегка натисніть на інструмент, щоб він безконтрольно не хитався. Сильне натискання на інструмент не поліпшує ефективності.

## Свердлення деревини або металу

- **Рис.20:** 1. Адаптер патрона 2. Патрон свердла, що не потребує ключа
- **Рис.21:** 1. Швидкороз'ємний патрон для SDS-plus 2. Лінія змінної кришки 3. Змінна кришка
- **Рис.22:** 1. Шпindel 2. Швидкорознімний патрон 3. Лінія змінної кришки 4. Змінна кришка
- **Рис.23:** 1. Патрон 2. Кільце 3. Швидкорознімний патрон

## Для моделі HR2470/HR2470F

Використовуйте додатковий вузол патрона. Під час встановлення - див. розділ "Встановлення та зняття свердла", наведений на попередній сторінці.

## Для моделі HR2470T/HR2470FT


У якості стандартного обладнання слід використовувати швидкороз'ємний патрон. Під час встановлення - див. розділ "заміна швидкороз'ємного патрона для SDS-plus", наведений на попередній сторінці.

Утримуйте кільце та поверніть муфту проти годинникової стрілки для того, щоб відкрити кулачки патрона. Вставте свердло або викрутку до упору. Міцно утримуйте кільце та поверніть муфту по годинниковій стрілці для того, щоб затягнути кулачки патрона. Для того, щоб зняти свердло, утримуйте кільце та поверніть муфту проти годинникової стрілки. Встановіть режим роботи, перемкнувши ручку на мітку. Діаметр свердління може бути до 13 мм в металі та до 32 мм в деревині.

### ⚠ ОБЕРЕЖНО:

- Коли на інструменті встановлений вузол свердлильного патрона, неможна користуватись режимом "свердління із відбиванням". Вузол патрона може пошкодитись. Патрон також знімається, якщо ввімкнути зворотний хід.
- Надмірний тиск на інструмент не пришвидшує свердління. Насправді надмірний тиск може лише пошкодити свердло, зменшити продуктивність інструменту та вкоротити термін його експлуатації.
- У момент завершення наскрізного отвору на інструмент, або свердло діє надзвичайно велике скручувальне зусилля. Міцно тримайте інструмент і будьте обережні, коли свердло починає виходити із протилежного боку заготовки.
- Свердло, яке заклинило, можна легко видалити, встановивши перемикач реверсу на зворотній напрямок обертання, щоб отримати задній хід. Однак, задній хід інструменту може бути надто різким, якщо Ви не будете його міцно тримати.
- Невелику заготовку слід затискувати в лещата або подібний пристрій.

## Свердлення алмазним свердлом

Під час свердління алмазним свердлом слід завжди пересувати важіль перемикачання в положення , щоб задіяти режим "тільки обертання".

### ⚠ ОБЕРЕЖНО:

- Якщо свердління виконується алмазним свердлом в режимі "обертання із відбиванням", свердло може бути пошкоджено.

## ТЕХНІЧНЕ ОБСЛУГОВУВАННЯ

### ⚠ ОБЕРЕЖНО:

- Перед тим, як оглянути інструмент, або виконати ремонт, переконайтеся, що він вимкнений та відключений від мережі.
- Ніколи не використовуйте газолін, бензин, розріджувач, спирт та подібні речовини. Їх використання може призвести до зміни кольору, деформації та появи тріщин.

Для того, щоб підтримувати БЕЗПЕКУ та НАДІЙНІСТЬ, ремонт, огляд та заміну вугільних щіток, будь-яке інше технічне обслуговування або регулювання мають виконувати уповноважені центри обслуговування "Макіта", де використовуються лише стандартні запчастини "Макіта".

## ДОДАТКОВЕ ПРИЛАДДЯ

### ⚠ ОБЕРЕЖНО:

- Це оснащення або приладдя рекомендовано для використання з інструментами "Макіта", що описані в інструкції з експлуатації. Використання якогось іншого оснащення або приладдя може спричинити травмування. Оснащення або приладдя слід використовувати лише за призначенням.

У разі необхідності, отримати допомогу в більш детальному ознайомленні з оснащенням звертайтеся до місцевого Сервісного центру "Макіта".

- Свердла SDS-Plus із твердосплавним наконечником
- Пірамідальне долото
- Слюсарне зубило
- Зубило для довбання
- Канавкове долото
- Вузол патрона свердла
- Патрон S13
- Адаптер патрона
- Ключ для патрона S13
- Мастило для свердла
- Бокова ручка
- Обмежувач глибини
- Продувна колба
- Пилозахисний ковпачок
- Пристрій для усунування пилу
- Захисні окуляри
- Пластмасова валіза для транспортування
- Швидкозатискний патрон

### ПРИМІТКА:

- Деякі елементи списку можуть входити до комплекту інструмента як стандартне приладдя. Вони можуть відрізнитися залежно від країни.

## SPECYFIKACJE

Model			HR2470/HR2470F	HR2470T/HR2470FT
Wydajność	Beton	Wiertło udarowe z końcówką z węgla wolframu	24 mm	
		Końcówka rdzenia	54 mm	
		Diamentowa końcówka rdzenia (typu suchego)	65 mm	
	Stal		13 mm	
	Drewno		32 mm	
	Prędkość bez obciążenia (min <sup>-1</sup> )			0 - 1 100
Liczba udarów na minutę			0 - 4 500	
Długość całkowita			370 mm	394 mm
Ciężar netto			2,9 kg	3,0 kg
Klasa bezpieczeństwa			□/II	

- W związku ze stale prowadzonym przez naszą firmę programem badawczo-rozwojowym, niniejsze specyfikacje mogą ulec zmianom bez wcześniejszego powiadomienia.
- Specyfikacje mogą różnić się w zależności od kraju.
- Waga obliczona zgodnie z procedurą EPTA 01/2003

### Przeznaczenie

Narzędzie przeznaczone jest do wiercenia udarowego w cegle, betonie i kamieniu i do dłutowania.

Nadaje się również do wiercenia w drewnie, metalu, ceramice i tworzywach sztucznych bez użycia udaru.

### Zasilanie

Narzędzie wolno podłączać tylko do źródeł zasilania o napięciu zgodnym z napięciem podanym na tabliczce znamionowej. Można je zasilać wyłącznie jednofazowym prądem przemiennym. Jest ono podwójnie izolowane, dlatego też można je zasilać z gniazda bez uziemienia.

### Poziom hałas i drgania

Typowy równoważny poziom dźwięku A określony w oparciu o EN60745:

Poziom ciśnienia akustycznego (L<sub>PA</sub>): 90 dB (A)

Poziom mocy akustycznej (L<sub>WA</sub>): 101 dB (A)

Niepewność (K): 3 dB (A)

**Należy stosować ochroniacze na uszy**

### Drgania

Całkowita wartość poziomu drgań (suma wektorów w 3 osiach) określona zgodnie z normą EN60745:

Tryb pracy: dłutowanie

Emisja drgań (a<sub>n,CHed</sub>): 12,5 m/s<sup>2</sup>

Niepewność (K): 1,5 m/s<sup>2</sup>

Tryb pracy: wiercenie udarowe w betonie

Emisja drgań (a<sub>n,HD</sub>): 15,5 m/s<sup>2</sup>

Niepewność (K): 1,5 m/s<sup>2</sup>

Tryb pracy: wiercenie w metalu

Emisja drgań (a<sub>n,D</sub>): 4,5 m/s<sup>2</sup>

Niepewność (K): 1,5 m/s<sup>2</sup>

**WSKAZÓWKA:** Deklarowana wartość wytwarzanych drgań została zmierzona zgodnie ze standardową metodą testową i można ją wykorzystać do porównywania narzędzi.

**WSKAZÓWKA:** Deklarowaną wartość wytwarzanych drgań można także wykorzystać we wstępnej ocenie narażenia.

**⚠️ OSTRZEŻENIE:** Drgania wytwarzane podczas rzeczywistego użytkowania elektronarzędzia mogą się różnić od wartości deklarowanej, w zależności od sposobu jego użytkowania.

**⚠️ OSTRZEŻENIE:** W oparciu o szacowane narażenie w rzeczywistych warunkach użytkowania należy określić środki bezpieczeństwa w celu ochrony operatora (uwzględniając wszystkie elementy cyklu działania, tj. czas, kiedy narzędzie jest wyłączone i kiedy pracuje na biegu jałowym, a także czas, kiedy jest włączone).

## Deklaracja zgodności WE

### Dotyczy tylko krajów europejskich

Deklaracja zgodności WE jest dołączona jako załącznik A do niniejszej instrukcji obsługi.

## Ogólne zasady bezpieczeństwa obsługi elektronarzędzi

**⚠️ OSTRZEŻENIE** Przeczytaj wszystkie ostrzeżenia i instrukcje. Nie przestrzeganie ich może prowadzić do porażeń prądem, pożarów i/lub poważnych obrażeń ciała. **Wszystkie ostrzeżenia i instrukcje należy zachować do późniejszego wykorzystania.**

## OSTRZEŻENIE DOTYCZĄCE BEZPIECZEŃSTWA WIERTARKI UDAROWEJ

1. **Noś ochraniacze na uszy.** Hałas może spowodować utratę słuchu.
2. **Używać narzędzia z dostarczonymi uchwytami pomocniczymi.** Utrata kontroli może spowodować obrażenia.
3. **Gdy narzędzie tnące podczas pracy może zetknąć się z ukrytymi przewodami elektrycznymi bądź własnym przewodem zasilającym, należy trzymać urządzenie za izolowane uchwyty.** Przecięcie przewodu elektrycznego pod napięciem powoduje, że również odsłonięte elementy metalowe narzędzia znajdują się pod napięciem, grożąc porażeniem operatora prądem elektrycznym.
4. **Noś kask, okulary ochronne oraz/lub osłonę twarzy.** Zwykle okulary bądź okulary przeciwświatłocenne **NIE** są okularami ochronnymi. **Stanowczo zaleca się również zakładanie maski przeciwpyłowej oraz grubych rękawic.**
5. **Przed uruchomieniem narzędzia należy się upewnić, czy końcówka jest dobrze zamocowana w uchwycie.**
6. **W normalnych warunkach pracy narzędzie wytwarza drgania. W związku z tym śruby mogą łatwo ulec poluzowaniu, doprowadzając do awarii lub wypadku. Przed uruchomieniem narzędzia należy skontrolować, czy śruby są dobrze dokręcone.**
7. **W przypadku niskiej temperatury lub gdy narzędzie nie było używane przez dłuższy czas, należy najpierw rozgrzać narzędzie uruchamiając je na chwilę bez obciążenia. W ten sposób gęstość smaru ulegnie zmniejszeniu. Bez właściwego rozgrzania narzędzia operacja kucia nie przebiega tak sprawnie.**
8. **Zapewnić stałe podłoże.** Upewnić się, czy nikt nie znajduje się poniżej miejsca pracy na wysokości.
9. **Narzędzie należy trzymać oburącz.**
10. **Nie zbliżać rąk do części ruchomych.**
11. **Nie pozostawiać załączonego elektronarzędzia. Można uruchomić elektronarzędzie tylko wtedy, gdy jest trzymane w rękach.**
12. **Podczas pracy nie wolno kierować narzędzia w stronę osób znajdujących się w pobliżu. Końcówka może wylecieć z uchwytu i poważnie kogoś zranić.**
13. **Po zakończeniu pracy nie wolno dotykać końcówki ani znajdujących się w jej sąsiedztwie elementów. Mogą one być bardzo gorące, grożąc poparzeniem skóry.**
14. **Niektóre materiały zawierają substancje chemiczne, które mogą być toksyczne. Unikać wdychania i kontaktu ze skórą. Przestrzegać przepisów bezpieczeństwa podanych przez dostawcę materiałów.**

## ZACHOWAĆ INSTRUKCJE.

**⚠️ OSTRZEŻENIE:** **NIE WOLNO** pozwolić, aby wygoda lub rutyna (nabyta w wyniku wielokrotnego używania narzędzia) zastąpiły ściśle przestrzeganie zasad bezpieczeństwa obsługi. **NIEWŁAŚCIWE UŻYTKOWANIE** narzędzia lub niestosowanie się do zasad bezpieczeństwa podanych w niniejszej instrukcji obsługi może prowadzić do poważnych obrażeń ciała.

## OPIS DZIAŁANIA

### ⚠️ PRZESTROGA:

- Przed rozpoczęciem regulacji i sprawdzania działania elektronarzędzia, należy upewnić się, czy jest ono wyłączone i nie podłączone do sieci.

## Włączanie

► **Rys.1:** 1. Spust przełącznika 2. Przycisk blokujący

### ⚠️ PRZESTROGA:

- Przed podłączeniem elektronarzędzia do sieci zawsze sprawdzać czy spust włącznika działa poprawnie i wraca do pozycji "OFF" po zwolnieniu.

Aby uruchomić narzędzie, należy pociągnąć za język spustowy przełącznika. Prędkość narzędzia rośnie wraz ze zwiększaniem nacisku na język spustowy. W celu zatrzymania urządzenia wystarczy zwolnić język spustowy przełącznika. Aby narzędzie pracowało w sposób ciągły, należy pociągnąć za język spustowy przełącznika, a następnie wcisnąć przycisk blokady. Aby zatrzymać narzędzie z włączoną blokadą, wystarczy pociągnąć do oporu język spustowy przełącznika, a następnie zwolnić go.

## Zaświecenie się lampki

### Dla modelu HR2470F/2470FT

► **Rys.2:** 1. Lampka

### ⚠️ PRZESTROGA:

- Nie patrzeć na światło ani bezpośrednio na źródło światła.

Aby włączyć lampkę, pociągnij za język spustowy przełącznika. Aby ją wyłączyć zwolnij język spustowy przełącznika.

### WSKAZÓWKI:

- Użyć suchej tkaniny aby zetrzeć zanieczyszczenia z osłony lampki. Uważać, aby nie zarysować osłony lampki, gdyż może to zmniejszyć natężenie oświetlenia.

## Włączanie obrotów wstecznych

► **Rys.3:** 1. Dźwignia przełącznika obrotów wstecznych

### ⚠ PRZESTROGA:

- Przed uruchomieniem narzędzia należy zawsze sprawdzić ustawienie kierunku obrotów.
- Kierunek obrotów można zmieniać tylko wówczas, gdy urządzenie całkowicie się zatrzyma. Zmiana kierunku obrotów przed zatrzymaniem się narzędzia grozi jego uszkodzeniem.
- Jeśli nie można zwolnić języka spustowego przełącznika, należy sprawdzić, czy przełącznik kierunku obrotów jest precyzyjnie ustawiony na swoim miejscu ◀ (w stronę A) lub ▶ (w stronę B).

Omalowane narzędzie jest wyposażone w przełącznik umożliwiający zmianę kierunku obrotów. Przesunięcie dźwigni przełącznika zmiany kierunku obrotów w położenie ◀ (w stronę A) powoduje zmianę kierunku obrotów na zgodne z ruchem wskazówek zegara, a w położenie ▶ (w stronę B) - na przeciwnie.

## Wymiana szybkowymiennego uchwytu do końcówek SDS-plus

### Dla modelu HR2470T/HR2470FT



Szybkowymienny uchwyt do końcówek SDS-plus można łatwo wymienić na szybkowymienny uchwyt wiertarski.

### Wymiana szybkowymiennego uchwytu do końcówek SDS-plus

► **Rys.4:** 1. Szybkowymienny uchwyt do końcówek SDS-plus 2. Znacznik na pierścieniu wymiany 3. Pierścień wymiany



### ⚠ PRZESTROGA:


- Przed przystąpieniem do demontażu szybkowymiennego uchwytu do końcówek SDS-plus należy zawsze wyjąć końcówkę.

Chwycić za pierścień wymiany szybkowymiennego uchwytu do końcówek SDS-plus i obrócić go w kierunku strzałki, aż znacznik pierścienia wymiany przesunie się ze znaku  na znak . Pociągnąć mocno w kierunku strzałki.

### Montaż szybkowymiennego uchwytu wiertarskiego

► **Rys.5:** 1. Wrzeczono 2. Szybkowymienny uchwyt wiertarski 3. Znacznik na pierścieniu wymiany 4. Pierścień wymiany

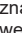
Sprawdzić, czy znacznik na szybkowymiennym uchwycie wiertarskim wskazuje symbol . Chwycić za pierścień wymiany szybkowymiennego uchwytu wiertarskiego i przestawić go tak, aby znacznik wskazywał symbol . Nałożyć szybkowymienny uchwyt wiertarski na wrzeczono narzędzia.

Chwycić za pierścień wymiany szybkowymiennego uchwytu wiertarskiego i obrócić, aż znacznik pierścienia wymiany wyrówna się z symbolem , co jest sygnalizowane charakterystycznym kliknięciem.

## Wybór trybu pracy


### Wiercenie udarowe

► **Rys.6:** 1. Przycisk blokujący 2. Gałka zmiany trybu pracy

Aby wiercić w betonie, cegle, itp., należy wcisnąć przycisk blokady i ustawić dźwignię zmiany trybu pracy na znak . Należy do tego używać wiertel z ostrzami z węgliku wolframu.


### Tylko obroty

► **Rys.7:** 1. Tylko obroty

Aby wiercić w drewnie, metalu lub sztucznych tworzywach, należy wcisnąć przycisk blokady i ustawić gałkę zmiany trybu pracy na znak . Używaj wiertła krętego lub wiertła do drewna.

### Tylko udar

► **Rys.8:** 1. Tylko udar

Aby dłutować, obciosywać, wyburzać, itp., należy wcisnąć przycisk blokady i ustawić pokrętko zmiany trybu pracy na znak . Używaj punktaków, dłut, dłut do skuwania, itp.

### ⚠ PRZESTROGA:

- Nie wolno korzystać z dźwigni zmiany trybu pracy, gdy narzędzie pracuje pod obciążeniem. Narzędzie może ulec przy tym uszkodzeniu.
- Aby uniknąć szybkiego zużywania się mechanizmu zmiany trybu pracy, gałka zmiany trybu pracy musi być zawsze ustawiona dokładnie w jednym z trzech prawidłowych położenia.

## Ogranicznik momentu obrotowego

Ogranicznik momentu obrotowego zaczyna działać, gdy zostanie osiągnięta określona wartość momentu. W takiej sytuacji silnik zostaje odłączony od wałka wypróbowania napędu. To powoduje zatrzymanie obrotów wiertła.

### ⚠ PRZESTROGA:

- Kiedy zadziała ogranicznik momentu obrotowego, należy natychmiast wyłączyć narzędzie. Dzięki temu uniknie się przedwczesnemu zużyciu się narzędzia.
- Do opisywanego narzędzia nie nadają się końcówki, takie jak otwornice, które mają tendencję do zakleszczania lub blokowania się w otworze. Powodują one zbyt częste załączanie ogranicznika momentu.

## MONTAŻ

### ⚠ PRZESTROGA:

- Przed wykonywaniem jakichkolwiek czynności na elektronarzędziu należy upewnić się, czy jest ono wyłączone i nie podłączone do sieci.

## Uchwyt boczny (pomocnicza rękojeść)

- **Rys.9:** 1. Podstawa uchwytu 2. Uchwyt boczny  
3. Odkręcanie 4. Dokręcić 5. Zęby 6. Występ

### PRZESTROGA:

- W celu zapewnienia bezpieczeństwa obsługi należy zawsze korzystać z uchwytu bocznego.

Zamontować zespół uchwytu bocznego w taki sposób, aby zęby na uchwycie znalazły się pomiędzy występami na korpusie narzędzia. Następnie w wybranym położeniu dokręcić uchwyt, obracając go zgodnie z ruchem wskazówek zegara. Można nim obracać w zakresie kąta 360° i zablokować w dowolnym położeniu.

## Smar do końcówek

Przed zamocowaniem wiertła należy posmarować jego trzon małą ilością smaru (około 0,5 - 1 g). Takie smarowanie uchwytu zapewni prawidłowe i długotrwałe działanie.

## Montaż lub demontaż końcówki

- **Rys.10:** 1. Trzon wiertła 2. Smar do wiertel

Przed zamocowaniem końcówki oczyścić jej trzon i nasmaruj.

- **Rys.11:** 1. Wiertło 2. Osłona uchwytu


Wsuń końcówkę do uchwytu narzędzia. Obróć końcówkę i wciśnij, aż wskoczy na swoje miejsce. Po zainstalowaniu należy koniecznie upewnić się, czy końcówka jest prawidłowo zablokowana, próbując ją wyciągnąć. Aby wyjąć końcówkę, pociągnij osłonę uchwytu w dół do oporu i zdecydowanym ruchem wyciągnij końcówkę.

- **Rys.12:** 1. Wiertło 2. Osłona uchwytu

## Kąt ustawienia dłuta (podczas dłutowania, wyburzania, itp.)

- **Rys.13:** 1. Przycisk blokujący 2. Gałka zmiany trybu pracy

Dłuto można zamocować pod wymaganym kątem. Aby zmienić kąt ustawienia dłuta, należy wcisnąć przycisk blokady i ustawić dźwignię zmiany trybu pracy na znak **O**. Następnie należy ustawić dłuto w wymaganym położeniu poprzez jego obrócenie.

Wciśnij przycisk blokady i ustaw gałkę zmiany trybu pracy na znak . Następnie sprawdź, lekko je obracając, czy dłuto jest pewnie zamocowane.

- **Rys.14**

## Ogranicznik głębokości wiercenia

- **Rys.15:** 1. Ogranicznik głębokości

Ogranicznik głębokości wiercenia jest udogodnieniem dla wiercenia otworów o jednakowej głębokości. Poluzować uchwyt boczny i umieścić ogranicznik w otworze w uchwycie bocznym. Ustawić ogranicznik na pożądaną głębokość i zamocować uchwyt boczny.

### WSKAZÓWKI:

- Nie wolno używać ogranicznika głębokości wiercenia w pozycji, w której uderza on o korpus narzędzia.

## Osłona przeciwpylowa

- **Rys.16:** 1. Osłona przeciwpylowa


Osłonę tę należy używać, aby podczas wiercenia w pozycji do góry, np. w suficie, pył nie osiadał na narzędziu i na osobie obsługującej. Osłonę należy zamocować na wiertle, jak na rysunku. Wymiary wiertel, na których można mocować tę osłonę:

	Srednica wiertła
Osłona przeciwpylowa 5	6 mm - 14,5 mm
Osłona przeciwpylowa 9	12 mm - 16 mm

## DZIAŁANIE

### Operacja wiercenia z użyciem udaru

- **Rys.17**

Gałkę zmiany trybu pracy należy ustawić na znak . Ustaw wiertło w wybranym miejscu, gdzie ma być wywiercony otwór, a następnie pociągnij za język spustowy przełącznika.

Nie przeciążać narzędzia. Lekki nacisk daje najlepsze wyniki. Trzymać narzędzie w jednej pozycji uważając, aby wiertło nie ślizgało się i nie przesunęło się względem otworu.

Nie zwiększać nacisku, gdy otwór zapcha się wiórami, opiłkami lub gruzem. Zamiast tego pozwól, aby narzędzie pracowało przez chwilę bez obciążenia, a następnie wyciągnij wiertło częściowo z otworu. Po kilkakrotnym powtórzeniu tej procedury otwór zostanie oczyszczony i można wznowić normalną operację wiercenia.

### PRZESTROGA:

- W momencie przewiercania otworu, gdy otwór zapchany jest wiórami, opiłkami lub gruzem lub w przypadku natknięcia się na pręty zbrojenowe osadzone w betonie na narzędzie/wiertło wywierana jest nagle olbrzymia siła skręcająca. Należy zawsze używać uchwytu bocznego (rękojeści pomocniczej) i podczas pracy trzymać narzędzie zarówno za uchwyt boczny jak i rękojeść z przełącznikiem. Niestosowanie się do tej zasady może spowodować utratę kontroli nad narzędziem i ewentualnie poważne obrażenia.

**WSKAZÓWKA:** Ekscentryczność obrotów wiertła może wystąpić podczas pracy narzędzia bez obciążenia. Narzędzie podczas pracy centruje się automatycznie. Nie ma to wpływu na dokładność wiercenia.


## Gruszka do przedmuchiwania (wyposażenie dodatkowe)

- **Rys.18:** 1. Gruszka do przedmuchiwania

Po wywierceniu otworu można skorzystać z gruszki do przedmuchiwania, aby oczyścić otwór z pyłu.

## Kucie/dłutowanie/wyburzanie

### ► Rys.19

Dźwignię zmiany trybu pracy należy ustawić na znak .

Narzędzie należy trzymać oburącz. Po włączeniu narzędzia należy je lekko docisnąć, aby nie podskakiwało w sposób niekontrolowany. Zbyt silny docisk narzędzia nie zwiększa jego skuteczności.

## Wiercenie otworów w drewnie lub metalu

- **Rys.20:** 1. Przejściówka uchwytu 2. Uchwyt bez klucza
- **Rys.21:** 1. Szybkowymienny uchwyt do końcówek SDS-plus 2. Znacznik na pierścieniu wymiany 3. Pierścień wymiany
- **Rys.22:** 1. Wrzeczono 2. Szybkowymienny uchwyt wiertarski 3. Znacznik na pierścieniu wymiany 4. Pierścień wymiany
- **Rys.23:** 1. Tuleja 2. Pierścień 3. Szybkowymienny uchwyt wiertarski


## Dla modelu HR2470/HR2470F

Używaj opcjonalnego uchwytu wiertarskiego Podczas montażu skorzystaj z opisu zatytułowanego „Montaż i demontaż wiertła”, znajdującego się na poprzedniej stronie.

## Dla modelu HR2470T/HR2470FT

Jako standardowego wyposażenia używać szybkowymiennego uchwytu wiertarskiego. Podczas montażu należy sięgnąć do akapitu zatytułowanego „Wymiana uchwytu szybkowymiennego do końcówek SDS-plus” na poprzedniej stronie.


Przytrzymaj pierścień i obróć tuleję w kierunku przeciwnym do ruchu wskazówek zegara, aby rozsunąć szczęki uchwytu. Wsuń wiertło do oporu do uchwytu wiertarskiego. Przytrzymaj mocno pierścień i obróć tuleję w kierunku zgodnym z ruchem wskazówek zegara, aby zacisnąć uchwyt. W celu wyjęcia wiertła przytrzymaj pierścień i obróć tuleję w kierunku przeciwnym do ruchu wskazówek zegara.

Gałkę miany trybu pracy należy ustawić na znak . Maksymalna średnica wierconych otworów wynosi 13 mm w metalu i 32 mm w drewnie.

### PRZESTROGA:

- Kiedy zamontowany jest uchwyt wiertarski, nie wolno pracować w trybie „Wiercenie udarowe”. Może to spowodować uszkodzenie tego uchwytu. Poza tym, przy zmianie kierunku obrotów uchwyt ten odpadnie.
- Wywieranie nadmiernego nacisku na narzędzie nie przyspiesza wiercenia. W praktyce, wywieranie nadmiernego nacisku przyczynia się jedynie do uszkodzenia końcówki wiertła, zmniejszenia wydajności i skrócenia okresu eksploatacyjnego narzędzia.
- W momencie przebicia na elektronarzędzie/wiertło wywierana jest olbrzymia siła skręcająca. Trzymać elektronarzędzie mocno w momencie, gdy wiertło jest bliskie przebicia obrabianego materiału.
- Zablokowane wiertło można łatwo wyjąć, złączając przełącznik wstecznych obrotów i wyprowadzając wiertło. Elektronarzędzie może jednak nagle odbić, jeśli nie zostanie mocno przytrzymane.
- Niewielkie obrabiane kawałki materiału zawsze zamocowywać w imadle lub podobnym przyrządzie przytrzymującym.

## Wiercenie z użyciem diamentowej koronki rdzeniowej

Wykonując wiercenia przy użyciu diamentowej końcówki rdzenia, należy zawsze ustawić dźwignię w pozycji , aby uruchomić tryb „tylko ruch obrotowy”.

### PRZESTROGA:

- Wykonywanie operacji wiercenia przy użyciu diamentowej końcówki rdzenia, gdy narzędzie ustawione jest na „wiercenia udarowe”, może doprowadzić do uszkodzenia końcówki.

## KONSERWACJA

### PRZESTROGA:

- Przed wykonywaniem kontroli i konserwacji należy się zawsze upewnić, czy elektronarzędzie jest wyłączone i nie podłączone do sieci.
- Nie wolno używać benzyny, benzenu, rozpuszczalnika, alkoholu itp. Substancje takie mogą spowodować odbarwienia, odształcenia lub pęknięcia.

Dla zachowania BEZPIECZEŃSTWA i NIEZAWODNOŚCI wyrobu, naprawy, wymiana szczotek węglowych oraz inne prace konserwacyjne i regulacyjne powinny być wykonywane przez Autoryzowane Centra Serwisowe Makita, wyłącznie przy użyciu części zamiennych Makita.

# AKCESORIA OPCJONALNE

## **⚠ PRZESTROGA:**

- Zaleca się stosowanie wymienionych akcesoriów i dodatków razem z elektronarzędziem Makita opisanym w niniejszej instrukcji. Stosowanie jakichkolwiek innych akcesoriów i dodatków może stanowić ryzyko uszkodzenia ciała. Stosować akcesoria i dodatki w celach wyłącznie zgodnych z ich przeznaczeniem.

W razie potrzeby, wszelkiej pomocy i szczegółowych informacji na temat niniejszych akcesoriów udziela Państwu lokalne Centra Serwisowe Makita.

- Wiertła SDS-Plus z ostrzami z węgla
- Punktak
- Przecinak
- Dłuto do skuwania
- Wycinak ślusarski
- Uchwyt wiertarski
- Uchwyt wiertarski S13
- Przejściówka uchwytu
- Klucz do uchwytu S13
- Smar do końcówek
- Uchwyt boczny
- Ogranicznik głębokości wiercenia
- Gruszka do przedmuchiwania
- Osłona przeciwpyłowa
- Przystawka do usuwania pyłu
- Gogle ochronne
- Walizka z tworzywa sztucznego
- Samozaciskowy uchwyt wiertarski

## **WSKAZÓWKA:**

- Niektóre pozycje znajdujące się na liście mogą być dołączone do pakietu narzędziowego jako akcesoria standardowe. Mogą to być różne pozycje, w zależności od kraju.

## SPECIFICAȚII

Model			HR2470/HR2470F	HR2470T/HR2470FT
Capacități	Beton	Burghiu cu plăcuțe din aliaj dur de tungsten	24 mm	
		Burghiu de centrare	54 mm	
		Burghiu de centrare diamantat (tip uscat)	65 mm	
	Oțel		13 mm	
	Lemn		32 mm	
Turație în gol (min <sup>-1</sup> )			0 - 1.100	
Lovituri pe minut			0 - 4.500	
Lungime totală			370 mm	394 mm
Greutate netă			2,9 kg	3,0 kg
Clasa de siguranță			□/II	

- Datorită programului nostru continuu de cercetare și dezvoltare, caracteristicile pot fi modificate fără o notificare prealabilă.
- Specificațiile pot varia în funcție de țară.
- Greutatea este specificată conform procedurii EPTA-01/2003

### Destinația de utilizare

Mașina este destinată găuririi cu percuție și găuririi simple în cărămidă, beton și piatră precum și lucrărilor de dăltuire.

De asemenea, este adecvată și pentru găurirea fără percuție în lemn, metal, ceramică și plastic.

### Sursă de alimentare

Unealta trebuie conectată doar la o sursă de alimentare cu aceeași tensiune precum cea indicată pe plăcuța indicatoare a caracteristicilor tehnice și poate fi operată doar de la o sursă de curent alternativ cu o singură fază. Acestea au o izolație dublă și, drept urmare, pot fi utilizate de la prize fără împământare.

### Emisie de zgomot

Nivelul de zgomot normal ponderat A determinat în conformitate cu EN60745:

Nivel de presiune acustică ( $L_{pA}$ ): 90 dB (A)

Nivel de putere acustică ( $L_{WA}$ ): 101 dB (A)

Marjă de eroare (K): 3 dB (A)

### Purtați mijloace de protecție a auzului

### Vibrații

Valoarea totală a vibrațiilor (suma vectorilor tri-axiali) determinată conform EN60745:

Mod de funcționare: dăltuire

Emisie de vibrații ( $a_{n,CHed}$ ): 12,5 m/s<sup>2</sup>

Marjă de eroare (K): 1,5 m/s<sup>2</sup>

Mod de funcționare: găurire cu percuție în beton

Emisie de vibrații ( $a_{n,HD}$ ): 15,5 m/s<sup>2</sup>

Marjă de eroare (K): 1,5 m/s<sup>2</sup>

Mod de funcționare: găurire în metal

Emisie de vibrații ( $a_{n,D}$ ): 4,5 m/s<sup>2</sup>

Marjă de eroare (K): 1,5 m/s<sup>2</sup>

**NOTĂ:** Nivelul de vibrații declarat a fost măsurat în conformitate cu metoda de test standard și poate fi utilizat pentru compararea unei unelte cu alta.

**NOTĂ:** Nivelul de vibrații declarat poate fi, de asemenea, utilizat într-o evaluare preliminară a expunerii.

**AVERTIZARE:** Nivelul de vibrații în timpul utilizării reale a unelei electrice poate diferi de valoarea nivelului declarat, în funcție de modul în care unealta este utilizată.

**AVERTIZARE:** Asigurați-vă că identificați măsurile de siguranță pentru a proteja operatorul, acestea fiind bazate pe o estimare a expunerii în condiții reale de utilizare (luând în considerare toate părțile ciclului de operare, precum timpii în care unealta a fost oprită, sau a funcționat în gol, pe lângă timpul de declanșare).

## Declarație de conformitate CE

### Numai pentru țările europene

Declarația de conformitate CE este inclusă ca Anexa A în acest manual de instrucțiuni.

## Avertismente generale de siguranță pentru unele electrice

**AVERTIZARE** Citiți toate avertizările de siguranță și toate instrucțiunile. Nerespectarea acestor avertizări și instrucțiuni poate avea ca rezultat electrocutarea, incendiul și/sau rănirea gravă.

**Păstrați toate avertismentele și instrucțiunile pentru consultări ulterioare.**

## AVERTISMENTE DE SIGURANȚĂ PRIVIND CIOCANUL ROTOPERCUTOR

1. **Purtați mijloace de protecție a auzului.** Expunerea la zgomot poate provoca pierderea auzului.
2. **Utilizați mânerle auxiliare, dacă sunt livrate cu mașina.** Pierderea controlului poate produce rănirea persoanei.
3. **Apucați mașina de suprafețele izolate, atunci când efectuați o operațiune în cadrul căreia accesoriul de tăiere poate intra în contact cu cablurile ascunde sau cu propriul său cablu.** Contactul dintre accesoriul de tăiere și un cablu sub tensiune poate pune sub tensiune părțile metalice expuse ale mașinii, provocând șocuri electrice utilizatorului.
4. **Purtați o cască dură (cască de protecție), ochelari de protecție și/sau o mască de protecție. Ochelarii obișnuiți sau ochelarii de soare NU sunt ochelari de protecție. De asemenea, se recomandă insistent să purtați o mască de protecție contra prafului și mănuși de protecție groase.**
5. **Asigurați-vă că scula este fixată înainte de utilizare.**
6. **În condiții de utilizare normală, mașina este concepută să producă vibrații. Șuruburile se pot slăbi ușor, cauzând o defecțiune sau un accident. Verificați cu atenție strângerea șuruburilor înainte de utilizare.**
7. **În condiții de temperatură scăzută sau dacă mașina nu a fost utilizată o perioadă mai îndelungată, lăsați mașina să se încălzească un timp prin acționarea ei în gol. Aceasta va facilita lubrifierea. Operația de percuție este dificilă, fără o încălzire prealabilă corespunzătoare.**
8. **Păstrați-vă echilibrul. Asigurați-vă că nu se află nimeni dedesubt atunci când folosiți mașina la înălțime.**
9. **Țineți mașina ferm cu ambele mâini.**
10. **Țineți mâinile la distanță de piesele în mișcare.**
11. **Nu lăsați mașina în funcțiune. Folosiți mașina numai când o țineți cu mâinile.**
12. **Nu îndreptați mașina către nicio persoană din jur în timpul utilizării. Scula poate fi aruncată din mașină și poate provoca vătămări corporale grave.**
13. **Nu atingeți scula sau piesele din apropierea sculei imediat după executarea lucrării; acestea pot fi extrem de fierbinți și pot provoca arsuri ale pielii.**
14. **Unele materiale conțin substanțe chimice care pot fi toxice. Aveți grijă să nu inhalați praful și evitați contactul cu pielea. Respectați instrucțiunile de siguranță ale furnizorului.**

**PĂSTRAȚI ACESTE INSTRUCȚIUNI.**

**AVERTIZARE:** NU permiteți comodității și familiarizării cu produsul (obținute prin utilizare repetată) să înlocuiască respectarea strictă a normelor de securitate pentru acest produs. **FOLOSIREA INCORECTĂ** sau nerespectarea normelor de securitate din acest manual de instrucțiuni poate provoca vătămări corporale grave.

## DESCRIERE FUNCȚIONALĂ

### ATENȚIE:

- Asigurați-vă că ați oprit mașina și că ați debransat-o de la rețea înainte de a o regla sau de a verifica starea sa de funcționare.

## Acționarea întrerupătorului

- Fig.1: 1. Declanșator întrerupător 2. Buton de blocare

### ATENȚIE:

- Înainte de a branșa mașina la rețea, verificați dacă trăgaciul întrerupătorului funcționează corect și dacă revine la poziția "OFF" (oprit) atunci când este eliberat.

Pentru a porni mașina, apăsați pur și simplu butonul declanșator. Viteza mașinii poate fi crescută prin creșterea forței de apăsare a butonului declanșator. Eliberați butonul declanșator pentru a opri mașina. Pentru operare continuă, apăsați butonul declanșator și apoi apăsați butonul de blocare. Pentru a opri mașina din poziția blocată, apăsați complet butonul declanșator și apoi eliberați-l.

## Aprinderea lămpilor

### Pentru modelele HR2470F/2470FT

- Fig.2: 1. Lampă

### ATENȚIE:

- Nu priviți direct în raza sau în sursa de lumină.

Pentru a aprinde lampa, apăsați butonul declanșator. Eliberați butonul declanșator pentru a o stinge.

### NOTĂ:

- Folosiți o cârpă curată pentru a șterge depunerile de pe lentila lămpii. Aveți grijă să nu zgâriați lentila lămpii, deoarece calitatea iluminării va fi afectată.

## Funcționarea inversorului

► Fig.3: 1. Levier de inversor

### ⚠ATENȚIE:

- Verificați întotdeauna sensul de rotație înainte de utilizare.
- Folosiți comutatorul de inversare numai după ce mașina s-a oprit complet. Schimbarea sensului de rotație înainte de oprirea mașinii poate avaria mașina.
- Dacă butonul declanșator nu poate fi apăsat, verificați dacă comutatorul de inversare este acționat complet în poziția ◁ (poziția A) sau ▷ (poziția B).

Această mașină dispune de un comutator de inversare pentru schimbarea sensului de rotație. Deplasați pârghia comutatorului de inversare în poziția ◁ (poziția A) pentru rotire în sens orar sau în poziția ▷ (poziția B) pentru rotire în sens anti-orar.

## Schimbarea mandrinei rapide pentru SDS-plus

### Pentru modelele HR2470T/HR2470FT



Mandrina rapidă pentru SDS-plus poate fi schimbată ușor cu mandrina de găurit rapidă.

### Demontarea mandrinei rapide pentru SDS-plus

► Fig.4: 1. Mandrină rapidă pentru SDS-plus 2. Linia de pe manșonul de schimbare 3. Manșon de schimbare



### ⚠ATENȚIE:


- Înainte de a demonta mandrina rapidă pentru SDS-plus, scoateți întotdeauna burghiul.

Apucați manșonul de schimbare al mandrinei rapide pentru SDS-plus și rotiți-l în direcția indicată de săgeată până când linia de pe manșonul de schimbare se deplasează de la simbolul  la simbolul . Trageți cu putere în direcția indicată de săgeată.

### Atașarea mandrinei de găurit rapide

► Fig.5: 1. Arbore 2. Mandrină de găurit rapidă 3. Linia de pe manșonul de schimbare 4. Manșon de schimbare


Verificați ca linia de pe mandrina de găurit rapidă să indice simbolul . Apucați manșonul de schimbare al mandrinei de găurit rapide și reglați linia la simbolul . Amplasați mandrina de găurit rapidă pe arborele mașinii.

Apucați manșonul de schimbare al mandrinei de găurit rapide și rotiți linia de pe manșonul de schimbare la simbolul  până când se aude clar un clic.

## Selectarea modului de acționare


### Rotire cu percuție

► Fig.6: 1. Buton de blocare 2. Buton rotativ de schimbare a modului de acționare

Pentru găurirea betonului, zidăriei etc., apăsați butonul de blocare și rotiți butonul rotativ de schimbare a modului de acționare la simbolul . Folosiți un burghiu cu percuție din aliaj dur de tungsten.

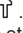
### Rotire simplă

► Fig.7: 1. Rotire simplă

Pentru găurirea lemnului, metalului sau a materialelor plastice, apăsați butonul de blocare și rotiți butonul rotativ de schimbare a modului de acționare la simbolul . Folosiți un burghiu elicoidal sau un sfredel pentru lemn.

### Percuție simplă

► Fig.8: 1. Percuție simplă

Pentru operații de spargere, curățare sau demolare, apăsați butonul de blocare și rotiți butonul rotativ de schimbare a modului de acționare la simbolul . Folosiți o dalță șpiț, o dalță îngustă, o dalță lată etc.

### ⚠ATENȚIE:

- Nu rotiți butonul rotativ de schimbare a modului de acționare când mașina funcționează sub sarcină. Mașina va fi avariată.
- Pentru a evita uzura rapidă a mecanismului de schimbare a modului de acționare, aveți grijă întotdeauna ca butonul rotativ de schimbare a modului de acționare să fie poziționat corect într-una dintre cele trei poziții corespunzătoare modurilor de acționare.

## Limitator de cuplu

Limitatorul de cuplu va acționa atunci când se atinge o anumită valoare a cuplului. Motorul va fi decuplat de la arborele de ieșire. În acest caz, burghiul nu se va mai roti.

### ⚠ATENȚIE:

- De îndată ce acționează limitatorul de cuplu, opriți mașina imediat. Veți evita astfel uzura prematură a mașinii.
- Sculele cum ar fi coroana de găurit, care tind să se blocheze sau să se agățe ușor în gaură, nu sunt adecvate pentru această mașină. Acestea vor cauza acționarea prea frecventă a limitatorului de cuplu.

## MONTARE

### ⚠ATENȚIE:

- Asigurați-vă că ați oprit mașina și că ați decuplat-o de la rețea înainte de a efectua vreo intervenție asupra mașinii.

## Mâner lateral (mâner auxiliar)

- **Fig.9:** 1. Baza mânerului 2. Mâner lateral 3. Deșurubați 4. Strângere 5. Dinți 6. Protuberanță

### ⚠️ ATENȚIE:

- Folosiți întotdeauna mânerul lateral pentru a garanta siguranța utilizării.

Introduceți mânerul lateral astfel încât dinții de pe mâner să se angreneze între protuberanțele de pe corpul mașinii. Apoi strângeți mânerul în poziția dorită prin rotire în sens orar. Acesta poate fi pivotat cu 360° și poate fi fixat în orice poziție.

## Unsoare pentru burghie

Acoperiți capul cozii burghiului cu o cantitate mică de unsoare pentru burghie (circa 0,5 - 1 g). Această lubrifiere a mandrinei asigură o funcționare lină și o durată de exploatare prelungită.

## Instalarea sau demontarea capului de înșurubare (bit)

- **Fig.10:** 1. Coada burghiului 2. Unsoare pentru burghie

Curățați coada burghiului și aplicați unsoare pentru burghie înainte de a instala burghiul.

- **Fig.11:** 1. Cap de înșurubat 2. Manșonul mandrinei

Introduceți burghiul în mașină. Rotiți burghiul și împingeți-l până când se clepează.

După instalare, asigurați-vă întotdeauna că burghiul este fixat ferm încercând să-l trageți afară.

Pentru a demonta burghiul, trageți manșonul mandrinei complet în jos și extrageți burghiul.

- **Fig.12:** 1. Cap de înșurubat 2. Manșonul mandrinei

## Unghiul de atac al burghiului (la operații de spargere, curățare sau demolare)

- **Fig.13:** 1. Buton de blocare 2. Buton rotativ de schimbare a modului de acționare

Burghiul poate fi fixat la unghiul de atac dorit. Pentru a schimba unghiul de atac al burghiului, apăsați butonul de blocare și rotiți butonul rotativ de schimbare a modului de acționare la simbolul **O**. Rotiți burghiul la unghiul dorit. Apăsați butonul de blocare și rotiți butonul rotativ de schimbare a modului de acționare la simbolul **T**. Asigurați-vă apoi, printr-o rotire ușoară, că burghiul este fixat ferm în poziție.

- **Fig.14**

## Profundorul

- **Fig.15:** 1. Profundor

Profundorul este util pentru efectuarea orificiilor cu o adâncime uniformă. Slăbiți mânerul lateral și introduceți profundorul în orificiul de pe mânerul lateral. Reglați șublerul la adâncimea dorită apoi strângeți mânerul.

### NOTĂ:

- Calibrul de reglare a adâncimii nu poate fi utilizat într-o poziție în care acesta atinge carcasa angrenajului.

## Capac antipraf

- **Fig.16:** 1. Capac antipraf

Folosiți capacul antipraf pentru a preveni curgerea prafului pe mașină și pe dumneavoastră atunci când executați operații de găurire deasupra capului. Atașați capacul antipraf pe burghiul după cum se vede în figură. Dimensiunile burghiilor la care poate fi atașat capacul antipraf sunt următoarele.

	Diametrul burghiului
Capac antipraf 5	6 mm - 14,5 mm
Capac antipraf 9	12 mm - 16 mm

## FUNCȚIONARE

### Operația de găurire cu percuție

- **Fig.17**

Reglați butonul rotativ de schimbare a modului de acționare la simbolul **T**.

Poziționați burghiul în punctul de găurire dorit, apoi acționați butonul declanșator.

Nu forțați mașina. Printr-o apăsare ușoară obțineți cele mai bune rezultate. Mențineți mașina în poziție și împiedicați-o să alunece din gaură.

Nu aplicați o presiune mai mare dacă gaura se înfundă cu așchii sau particule. În schimb, lăsați mașina să funcționeze în gol și scoateți parțial burghiul din gaură. Repetând această operație de mai multe ori, gaura va fi curățată și veți putea continua găurirea normală.

### ⚠️ ATENȚIE:

- Asupra mașinii/burghiului este exercitată o forță enormă în momentul în care gaura este străpunsă, dacă gaura se înfundă cu așchii și particule, sau dacă întâlniți barele de armătură încastate în beton. Folosiți întotdeauna mânerul lateral (mânerul auxiliar) și țineți mașina ferm de mânerul lateral și mânerul cu comutator în timpul lucrului. În caz contrar, există riscul de a pierde controlul mașinii și de a suferi vătămări corporale grave.

**NOTĂ:** Când acționați mașina fără sarcină poate apare o rotație excentrică a burghiului. Mașina se autocentrează în timpul funcționării. Aceasta nu afectează precizia de găurire.

### Pară de suflare (accesoriu opțional)

- **Fig.18:** 1. Pară de suflare

După găurire, folosiți pară de suflare pentru a curăța praful din gaură.

### Spargere/curățare/demolare

- **Fig.19**

Reglați butonul rotativ de schimbare a modului de acționare la simbolul **T**.

Țineți mașina ferm cu ambele mâini. Porniți mașina și aplicați o ușoară presiune asupra acesteia astfel încât mașina să nu salte necontrolată. Presarea cu putere a mașinii nu va spori eficiența acesteia.


## Găurirea în lemn sau metal

- ▶ **Fig.20:** 1. Adaptor mandrină 2. Mandrină de găurit fără cheie
- ▶ **Fig.21:** 1. Mandrină rapidă pentru SDS-plus 2. Linia de pe manșonul de schimbare 3. Manșon de schimbare
- ▶ **Fig.22:** 1. Arbore 2. Mandrină de găurit rapidă 3. Linia de pe manșonul de schimbare 4. Manșon de schimbare
- ▶ **Fig.23:** 1. Manșon 2. Inel 3. Mandrină de găurit rapidă

## Pentru modelele HR2470/HR2470F

Folosiți ansamblul mandrină de găurit opțional. Pentru instalare, consultați "Instalarea sau demontarea burghiului" descrisă la pagina anterioară.

## Pentru modelele HR2470T/HR2470FT


Folosiți mandrina de găurit rapidă ca echipament standard. Pentru instalare, consultați "Schimbarea mandrinei rapide pentru SDS-plus" descrisă la pagina anterioară. Țineți inelul și roțiți manșonul în sens anti-orar pentru a deschide fălcile mandrinei. Introduceți capul de înșurubat în mandrină până când se oprește. Țineți ferm inelul și roțiți manșonul în sens orar pentru a strânge mandrina. Pentru a scoate burghiul, țineți inelul și roțiți manșonul în sens anti-orar. Reglați butonul rotativ de schimbare a modului de acționare la simbolul .

Puteți executa găuri cu un diametru de maxim de 13 mm în metal și un diametru maxim de 32 mm în lemn.

### ATENȚIE:

- Nu folosiți niciodată modul de acționare "rotire cu percute" atunci când mandrina de găurit rapidă este instalată pe mașină. Mandrina de găurit rapidă poate fi avariată. De asemenea, mandrina de găurit se va desprinde când inversați sensul de rotație al mașinii.
- Aplicarea unei forțe excesive asupra mașinii nu va grăbi operațiunea de găurire. De fapt, presiunea excesivă nu va face decât să deterioreze burghiul, scăzând performanțele mașinii și scurtând durata de viață a acesteia.
- Se exercită o forță extraordinară de presiune asupra mașinii/burghiului în momentul găuririi. Susțineți mașina cu fermitate și aveți grijă atunci când burghiul începe să penetreze piese a de lucru.
- Un burghiu blocat se poate debloca prin inversarea sensului de rotație al mașinii. Totuși, mașina poate avea un recul puternic dacă nu o susțineți cu fermitate.
- Piesele mici trebuie să fie fixate cu o menghină sau cu un alt dispozitiv similar de fixare.

## Găurirea cu burghiu de centrare diamantat

Când executați operații de găurire cu un burghiu de centrare diamantat, reglați întotdeauna pârghia de schimbare a modului de acționare în poziția  pentru a folosi modul "rotire simplă".

### ATENȚIE:

- Dacă executați operații de găurire cu un burghiu de centrare diamantat folosind modul "rotire cu percute", burghiul de centrare diamantat poate fi avariât.

## ÎNTREȚINERE

### ATENȚIE:

- Asigurați-vă că ați oprit mașina și că ați debrășat-o de la rețea înainte de a efectua operațiuni de verificare sau întreținere.
- Nu utilizați niciodată gazolină, benzină, diluant, alcool sau alte substanțe asemănătoare. În caz contrar, pot rezulta decolorări, deformări sau fisuri.

Pentru a menține SIGURANȚA și FIABILITATEA mașinii, reparațiile, schimbarea și verificarea perilor de carbon, precum și orice alte operațiuni de întreținere sau reglare trebuie să fie efectuate numai la Centrele de service autorizat Makita, folosindu-se piese de schimb Makita.

## ACCESORII OPȚIONALE

### ATENȚIE:

- Folosiți accesoriile sau piesele auxiliare recomandate pentru mașina dumneavoastră în acest manual. Utilizarea oricăror alte accesorii sau piese auxiliare poate cauza vătămări. Folosiți accesoriile pentru operațiunea pentru care au fost concepute.

Dacă aveți nevoie de asistență sau de mai multe detalii referitoare la aceste accesorii, adresați-vă centrului local de service Makita.

- Burghie cu plăcuțe de carburi metalice SDS-Plus
- Daltă șpiț
- Daltă îngustă
- Daltă lată
- Daltă de canelat
- Ansamblu mandrină de găurit
- Mandrină de găurit S13
- Adaptor mandrină
- Cheie de mandrină S13
- Unsoare pentru burghie
- Mâner lateral
- Profundorul
- Pară de suflare
- Capac antipraf
- Accesorii extractor de praf
- Ochelari de protecție
- Cutia de plastic pentru transport
- Mașină de găurit cu mandrină fără cheie

### NOTĂ:

- Unele articole din listă pot fi incluse ca accesorii standard în ambalajul de scule. Acestea pot diferi în funcție de țară.

# TECHNISCHE DATEN

Modell			HR2470/HR2470F	HR2470T/HR2470FT
Leistungen	Beton	Einsatz mit einer Hartmetallspitze	24 mm	
		Bohrkrone	54 mm	
		Diamantbohrkrone (Trockentyp)	65 mm	
	Stahl		13 mm	
	Holz		32 mm	
Leerlaufdrehzahl (min <sup>-1</sup> )			0 - 1.100	
Schläge pro Minute			0 - 4.500	
Gesamtlänge			370 mm	394 mm
Netto-Gewicht			2,9 kg	3,0 kg
Sicherheitsklasse			□/II	

- Aufgrund der laufenden Forschung und Entwicklung unterliegen die hier aufgeführten technischen Daten Veränderungen ohne Hinweis.
- Die technischen Daten können für verschiedene Länder unterschiedlich sein.
- Gewicht entsprechend der EPTA-Vorgehensweise 01/2003

## Verwendungszweck

Das Werkzeug wurde für das Schlagbohren und Bohren in Ziegel, Beton und Stein und für Meißelarbeiten entwickelt. Es eignet sich auch für schlagloses Bohren in Holz, Metall, Keramik und Kunststoff.

## Stromversorgung

Das Werkzeug darf ausschließlich an Einphasen-Wechselstrom mit der auf dem Typenschild angegebenen Spannung angeschlossen werden. Das Werkzeug verfügt über ein doppelt isoliertes Gehäuse und kann daher auch an einer Stromversorgung ohne Schutzkontakt betrieben werden.

## Geräuschpegel

Die typischen A-bewerteten Geräuschpegel, bestimmt gemäß EN60745:

- Schalldruckpegel ( $L_{pA}$ ): 90 dB (A)
- Schallleistungspegel ( $L_{WA}$ ): 101 dB (A)
- Abweichung (K): 3 dB (A)

### Tragen Sie Gehörschutz

## Schwingung

Schwingungsgesamtwerte (Vektorsumme dreier Achsen) nach EN60745:

- Arbeitsmodus: Meißeln
- Schwingungsbelastung ( $a_{h,CHeq}$ ): 12,5 m/s<sup>2</sup>
- Abweichung (K): 1,5 m/s<sup>2</sup>
- Arbeitsmodus: Schlagbohren in Beton
- Schwingungsbelastung ( $a_{h,HD}$ ): 15,5 m/s<sup>2</sup>
- Abweichung (K): 1,5 m/s<sup>2</sup>
- Arbeitsmodus: bohren in Metall
- Schwingungsbelastung ( $a_{h,D}$ ): 4,5 m/s<sup>2</sup>
- Abweichung (K): 1,5 m/s<sup>2</sup>

**HINWEIS:** Die deklarierte Schwingungsbelastung wurde gemäß der Standardtestmethode gemessen und kann für den Vergleich von Werkzeugen untereinander verwendet werden.

**HINWEIS:** Die deklarierte Schwingungsbelastung kann auch in einer vorläufigen Bewertung der Gefährdung verwendet werden.

**⚠️ WARNUNG:** Die Schwingungsbelastung während der tatsächlichen Anwendung des Elektrowerkzeugs kann in Abhängigkeit von der Art und Weise der Verwendung des Werkzeugs vom deklarierten Belastungswert abweichen.

**⚠️ WARNUNG:** Stellen Sie sicher, dass Schutzmaßnahmen für den Bediener getroffen werden, die auf den unter den tatsächlichen Arbeitsbedingungen zu erwartenden Belastungen beruhen (beziehen Sie alle Bestandteile des Arbeitsablaufs ein, also zusätzlich zu den Arbeitszeiten auch Zeiten, in denen das Werkzeug ausgeschaltet ist oder ohne Last läuft).

## EG-Konformitätserklärung

### Nur für europäische Länder

Die EG-Konformitätserklärung ist als Anhang A in dieser Bedienungsanleitung enthalten.

## Allgemeine Sicherheitshinweise für Elektrowerkzeuge

**⚠️ WARNUNG** Lesen Sie alle Sicherheitswarnungen und -anweisungen sorgfältig durch. Werden die Warnungen und Anweisungen ignoriert, besteht die Gefahr eines Stromschlags, Brands und/oder schweren Verletzungen.

**Bewahren Sie alle Warnhinweise und Anweisungen zur späteren Referenz gut auf.**

## SICHERHEITSREGELN FÜR BOHRHAMMER

1. **Tragen Sie einen Gehörschutz.** Wenn Sie Lärm ausgesetzt sind, können Sie einen Hörverlust erleiden.
2. **Verwenden Sie die mit dem Werkzeug gelieferten Zusatzgriffe.** Ein Verlust der Kontrolle über das Werkzeug kann zu Verletzungen führen.
3. **Halten Sie das Elektrowerkzeug an den isolierten Griffflächen, wenn Sie unter Bedingungen arbeiten, bei denen das Schneidwerkzeug verborgene Verkabelung oder das eigene Kabel berühren kann.** Bei Kontakt des Schneidwerkzeugs mit einem stromführenden Kabel wird der Strom an die Metallteile des Elektrowerkzeugs und dadurch an den Bediener weitergeleitet, und der Bediener erleidet einen Stromschlag.
4. **Tragen Sie einen Sicherheitshelm, Sicherheitsgläser und/oder Gesichtsschutz.** Bei gewöhnlichen Brillen und Sonnenbrillen handelt es sich NICHT um Sicherheitsgläser. Auch das Tragen dick gefütterter Handschuhe und einer Staubmaske wird empfohlen.
5. **Überprüfen Sie vor der Inbetriebnahme, ob der Einsatz fest sitzt.**
6. **Unter normalen Betriebsbedingungen erzeugt das Werkzeug Vibrationen.** Hierdurch können sich Schrauben lösen, was zu Aus- und Unfällen führen kann. Überprüfen Sie vor der Arbeit sorgsam den Sitz der Schrauben.
7. **Bei kaltem Wetter oder wenn das Werkzeug längere Zeit nicht benutzt wurde, lassen Sie das Gerät eine Zeit lang ohne Last warm laufen.** Hierdurch wird die Schmierung gelockert. Ohne ordentliches Aufwärmen ist der Schlagbetrieb schwierig.
8. **Achten Sie darauf, dass Sie immer einen festen Stand haben.** Wenn Sie in der Höhe arbeiten, achten Sie darauf, dass sich unter Ihnen niemand aufhält.
9. **Halten Sie das Werkzeug mit beiden Händen fest.**
10. **Halten Sie Ihre Hände von beweglichen Teilen fern.**
11. **Lassen Sie das Werkzeug nicht unbeaufsichtigt laufen.** Arbeiten Sie nur mit ihm, wenn Sie es in der Hand halten.
12. **Zeigen Sie mit dem Werkzeug während des Betriebs nicht auf Personen in Ihrer Umgebung.** Der Einsatz könnte sich lösen und zu schweren Verletzungen führen.
13. **Berühren Sie kurz nach dem Betrieb nicht den Einsatz oder ihm nahe liegende Teile.** Diese können extrem heiß sein und zu Verbrennungen führen.

14. **Manche Materialien enthalten Chemikalien, die giftig sein können. Geben Sie Acht, dass Sie diese nicht einatmen oder berühren. Lesen Sie die Material-Sicherheitsblätter des Lieferers.**

## BEWAHREN SIE DIESE ANWEISUNGEN AUF.

**⚠️ WARNUNG:** Lassen Sie sich NIE durch Bequemlichkeit oder (aus fortwährendem Gebrauch gewonnener) Vertrautheit mit dem Werkzeug dazu verleiten, die Sicherheitsregeln für das Werkzeug zu missachten. Bei **MISSBRÄUCLICHER** Verwendung des Werkzeugs oder Missachtung der in diesem Handbuch enthaltenen Sicherheitshinweise kann es zu schweren Verletzungen kommen.

## FUNKTIONSBESCHREIBUNG

### ⚠️ VORSICHT:

- Überzeugen Sie sich immer vor dem Einstellen des Werkzeugs oder der Kontrolle seiner Funktion, dass es abgeschaltet und der Stecker aus der Dose gezogen ist.

### Einschalten

► **Abb.1:** 1. Griffschalter 2. Blockierungstaste

### ⚠️ VORSICHT:

- Achten Sie vor dem Einstecken des Netzsteckers des Werkzeugs in die Steckdose darauf, dass sich der Ein/Aus-Schalter korrekt bedienen lässt und beim Loslassen in die Position "OFF" (AUS) zurückkehrt.

Betätigen Sie zum Starten des Werkzeugs einfach den Auslöseschalter. Die Drehzahl des Werkzeugs wird durch erhöhten Druck auf den Auslöseschalter gesteigert. Lassen Sie zum Ausschalten des Werkzeugs den Auslöseschalter los. Betätigen Sie für einen Dauerbetrieb den Ein/Aus-Schalter und drücken Sie dann die Arretiertaste hinein. Zur Aufhebung der Arretierung müssen Sie den Auslöseschalter bis zum Anschlag betätigen und anschließend loslassen.

### Anschalten der Lampe

## Für Modell HR2470F/2470FT

► **Abb.2:** 1. Lampe

### ⚠️ VORSICHT:

- Schauen Sie nicht direkt ins Licht oder die Lichtquelle.

Ziehen Sie zum Einschalten der Lampe den Auslöser. Lassen Sie den Auslöser los, um sie auszuschalten.



### HINWEIS:

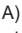

- Verwenden Sie für das Abwischen der Unreinheiten von der Lichtlinse einen trockenen Lappen. Achten Sie darauf, dass Sie die Lichtlinse nicht zerkratzen, dadurch kann ihre Leuchtkraft verringert werden.

## Umschalten der Drehrichtung

► **Abb.3:** 1. Umschalthebel der Drehrichtung

### **⚠ VORSICHT:**

- Überprüfen Sie vor jedem Betrieb immer die Drehrichtung.
- Der Umschalter darf nur betätigt werden, wenn das Werkzeug ganz angehalten wurde. Wenn Sie die Drehrichtung ändern, solange das Werkzeug noch läuft, kann es beschädigt werden.
- Lässt sich der Auslöseschalter nicht drücken, so überprüfen Sie, ob der Umschalter korrekt auf die Stellung  (Seite A) beziehungsweise  (Seite B) eingestellt ist.

Dieses Werkzeug verfügt über einen Umschalter, mit dem die Drehrichtung geändert werden kann. Stellen Sie für eine Drehbewegung im Uhrzeigersinn den Umschalthebel in die Stellung  (Seite A) und für eine Drehbewegung gegen den Uhrzeigersinn in die Stellung  (Seite B).

## Wechseln des Schnellwechselfutters für SDS-Plus

### Für Modell HR2470T/HR2470FT



Das Schnellwechselfutter für SDS-Plus kann auf einfache Weise gegen das Schnellwechselbohrfutter ausgetauscht werden.

### Entfernen des Schnellwechselfutters für SDS-Plus

► **Abb.4:** 1. Schnellwechselfutter für SDS-Plus  
2. Markierung der Wechselhülse  
3. Wechselhülse



### **⚠ VORSICHT:**


- Entfernen Sie stets den Einsatz, bevor Sie das Schnellwechselfutter für SDS-Plus abmontieren.

Drehen Sie die Wechselhülse des Schnellwechselfutters für SDS-Plus in Pfeilrichtung, bis ihre Markierung vom Symbol  auf das Symbol  springt. Üben Sie einen kräftigen Zug in Pfeilrichtung aus.

### Anbringen des Schnellwechselbohrfutters

► **Abb.5:** 1. Spindel 2. Schnellwechselbohrfutter  
3. Markierung der Wechselhülse  
4. Wechselhülse


Vergewissern Sie sich, dass die Markierung des Schnellwechselbohrfutters auf dem Symbol  steht. Nehmen Sie die Wechselhülse des Schnellwechselbohrfutters in die Hand, und stellen Sie die Markierung auf das Symbol .

Setzen Sie das Schnellwechselbohrfutter auf die Spindel des Werkzeugs.  
Drehen Sie die Wechselhülse des Schnellwechselbohrfutters, bis ihre Markierung auf dem Symbol  steht und das Futter mit einem deutlichen Klick einrastet.

## Auswahl der Aktionsbetriebsart


### Schlagbohren

► **Abb.6:** 1. Blockierungstaste 2. Drehknopf zum Wechsel der Aktionsbetriebsart

Drücken Sie für Bohrarbeiten in Beton, Mauerwerk usw. die Arretiertaste nach unten, und stellen Sie den Drehknopf zum Wechsel der Aktionsbetriebsart auf das Symbol . Verwenden Sie einen Einsatz mit einer Hartmetallspitze.


### Drehbohren

► **Abb.7:** 1. Drehbohren

Drücken Sie für Bohrarbeiten in Holz, Metall oder Kunststoff die Arretiertaste nach unten, und stellen Sie den Drehknopf zum Wechsel der Aktionsbetriebsart auf das Symbol . Verwenden Sie einen Spiral- oder Holzbohrereinsatz.

### Nur Schlag

► **Abb.8:** 1. Nur Schlag

Drücken Sie zum Splittern, Abblättern oder für Abbrucharbeiten die Arretiertaste nach unten, und stellen Sie den Drehknopf zum Wechsel der Aktionsbetriebsart auf das Symbol . Verwenden Sie einen Punkthammer, Kaltmeißel, Verzunderungsmeißel usw.

### **⚠ VORSICHT:**

- Der Drehknopf zum Wechsel der Aktionsbetriebsart darf nicht betätigt werden, solange das Werkzeug unter Last läuft. Andernfalls wird das Werkzeug beschädigt.
- Zur Vermeidung eines vorzeitigen Verschleißes des Mechanismus zum Wechsel der Betriebsart müssen Sie darauf achten, dass der Drehknopf zum Wechsel der Aktionsbetriebsart immer richtig an einer der drei Positionen der Aktionsbetriebsart sitzt.

## Drehmomentbegrenzung

Die Drehmomentbegrenzung schaltet sich ein, wenn eine bestimmte Drehmomentstufe erreicht ist. Der Motor wird von der Antriebswelle ausgekuppelt. In diesem Fall kommt der Einsatz zum Stillstand.

### **⚠ VORSICHT:**

- Wenn sich die Drehmomentbegrenzung einschaltet, muss das Werkzeug sofort ausgeschaltet werden. Auf diese Weise wird ein vorzeitiger Verschleiß des Werkzeugs vermieden.
- Einsätze wie beispielsweise Lochsagen, die sich leicht verkanten oder in der Bohrung hängen bleiben, eignen sich nicht für dieses Werkzeug. Der Grund hierfür ist, dass derartige Verkantungen zu einem übermäßigen Einsatz der Drehmomentbegrenzung führen.

# MONTAGE

## ⚠ VORSICHT:

- Ehe Sie am Werkzeug irgendwelche Arbeiten beginnen, überzeugen Sie sich immer vorher, dass es abgeschaltet und der Stecker aus der Dose gezogen ist.

## Seitengriff (Zusatzgriff)

- **Abb.9:** 1. Grifffläche 2. Seitlicher Griff 3. Lösen 4. Anziehen 5. Zahn 6. Vorsprung

## ⚠ VORSICHT:

- Verwenden Sie stets den Seitengriff, um die Betriebssicherheit zu gewährleisten.

Montieren Sie den Seitengriff so, dass die Zähne an der Grifffläche zwischen die Vorsprünge an der Werkzeugtrommel passen. Ziehen Sie anschließend den Griff an, indem Sie ihn an der gewünschten Position im Uhrzeigersinn drehen. Da er um 360° gedreht werden kann, kann er an jeder beliebigen Stelle befestigt werden.

## Bohrer-/Meißelfett

Schmieren Sie den Aufnahmeschaftkopf im Vorfeld mit etwas Bohrerfett (ca. 0,5 - 1 g).

Diese Schmierung des Bohrfutters garantiert einen reibungslosen Betrieb und eine längere Lebensdauer.

## Montage und Demontage des Einsatzes

- **Abb.10:** 1. Aufnahmeschaft 2. Bohrer-/Meißelfett  
Reinigen Sie den Aufnahmeschaft, und schmieren Sie ihn vor der Montage des Einsatzes mit ein wenig Fett.  
► **Abb.11:** 1. Einsatz 2. Werkzeugverriegelung

Montieren Sie den Einsatz am Werkzeug. Drehen Sie den Einsatz und drücken Sie ihn hinein, bis er einrastet. Überprüfen Sie nach der Montage stets, ob der Einsatz einwandfrei sitzt, indem Sie versuchen, ihn herausziehen. Ziehen Sie die Werkzeugverriegelung zum Entfernen des Einsatzes ganz nach unten, und ziehen Sie den Einsatz heraus.

- **Abb.12:** 1. Einsatz 2. Werkzeugverriegelung

## Winkel des Einsatzes (beim Splintern, Abblättern oder Abbruch)

- **Abb.13:** 1. Blockierungstaste 2. Drehknopf zum Wechsel der Aktionsbetriebsart

Der Einsatz kann im gewünschten Winkel gesichert werden. Drücken Sie zur Änderung des Einsatzwinkels die Arretiertaste nach unten, und stellen Sie den Drehknopf zum Wechsel der Aktionsbetriebsart auf das Symbol **O**. Drehen Sie den Einsatz bis zum gewünschten Winkel.

Drücken Sie die Arretiertaste nach unten, und stellen Sie den Drehknopf zum Wechsel der Aktionsbetriebsart auf das Symbol **U**. Überprüfen Sie anschließend durch leichtes Drehen am Einsatz, ob er fest sitzt.

- **Abb.14**

# Tiefenlehre

- **Abb.15:** 1. Tiefenlehre

Die Tiefenlehre ist ein patentes Hilfsmittel beim Bohren von Löchern mit gleicher Tiefe. Lösen Sie den seitlichen Griff und schieben Sie die Tiefenlehre in die Öffnung hinter ihm. Stellen Sie die Tiefenlehre für die gewünschte Tiefe ein und ziehen Sie den seitlichen Griff fest.

## HINWEIS:

- Der Tiefenanschlag kann nicht an der Stelle verwendet werden, an der er gegen das Getriebegehäuse schlägt.

# Staubschutzkappe

- **Abb.16:** 1. Staubschutzkappe

Verwenden Sie bei Überkopfbohrarbeiten die Staubschutzkappe, damit kein Staub auf das Werkzeug oder Sie selbst fällt. Befestigen Sie die Staubschutzkappe wie in der Abbildung dargestellt auf dem Einsatz. Die Staubschutzkappe kann für folgende Bohreinsatzgrößen verwendet werden.

	Einsatzdurchmesser
Staubschutzkappe 5	6 mm - 14,5 mm
Staubschutzkappe 9	12 mm - 16 mm

# ARBEIT

## Schlagbohrbetrieb

- **Abb.17**

Stellen Sie den Drehknopf zum Wechsel der Aktionsbetriebsart auf das Symbol **TA**.

Setzen Sie den Einsatz auf die gewünschte Position für die Bohrung, und betätigen Sie dann den Ein-/Aus-Schalter.

Üben Sie keinen übermäßigen Druck auf das Werkzeug aus. Wenn Sie nur leichten Druck ausüben, erzielen Sie die besten Ergebnisse. Halten Sie das Werkzeug in Position, und achten Sie darauf, dass es nicht von der Bohrung abrutscht.

Verstärken Sie den Druck nicht, wenn die Bohrung durch Holzspäne oder -partikel verstopft ist. Führen Sie stattdessen das Werkzeug im Leerlauf aus, und entfernen Sie dann den Einsatz teilweise aus der Bohrung. Wenn Sie diesen Vorgang mehrmals wiederholen, wird die Bohrung gesäubert, und Sie können den normalen Bohrvorgang fortsetzen.

## ⚠ VORSICHT:

- Beim Lochdurchschlag, wenn die Bohrung durch Holzspäne und -partikel verstopft ist oder wenn das Werkzeug auf Verstärkungsstangen im Beton trifft, wirken enorme und abrupte Drehkräfte auf das Werkzeug bzw. den Einsatz. Verwenden Sie stets den Seitengriff (Zusatzgriff) und halten Sie während der Arbeit das Werkzeug am Seitengriff und am Schaltergriff fest. Ansonsten kann es sein, dass Sie die Kontrolle über das Werkzeug verlieren und sich schwer verletzen.

**HINWEIS:** Es kann zu einer Rundlaufabweichung in der Bohrerndrehung kommen, wenn das Werkzeug mit Nulllast betrieben wird. Während des Betriebs zentriert sich das Werkzeug automatisch. Dies hat keinen Einfluss auf die Bohrgenauigkeit.


## Ausblasvorrichtung (optionales Zubehör)

### ► Abb.18: 1. Ausblasvorrichtung

Wenn Sie das Loch gebohrt haben, entfernen Sie mit Hilfe der Ausblasvorrichtung den Staub aus der Bohrung.

## Splittern/Abblättern/Abbruch

### ► Abb.19

Stellen Sie den Drehknopf zum Wechsel der Aktionsbetriebsart auf das Symbol . Halten Sie das Werkzeug mit beiden Händen fest. Schalten Sie das Werkzeug ein und üben Sie leichten Druck darauf aus, so dass es nicht unkontrolliert herumspringt. Ein stärkerer Druck auf das Werkzeug erhöht nicht dessen Wirkungsgrad.

## Bohren in Holz oder Metall

### ► Abb.20: 1. Bohrfutteradapter 2. Schlüsselloses Bohrfutter

### ► Abb.21: 1. Schnellwechselfutter für SDS-Plus 2. Markierung der Wechselhülse 3. Wechselhülse

### ► Abb.22: 1. Spindel 2. Schnellwechselbohrfutter 3. Markierung der Wechselhülse 4. Wechselhülse

### ► Abb.23: 1. Muffe 2. Ring 3. Schnellwechselbohrfutter


## Für Modell HR2470/HR2470F

Verwenden Sie den optionalen Bohrfuttersatz. Lesen Sie zu dessen Montage den Abschnitt "Montage und Demontage des Einsatzes" auf der vorherigen Seite.

## Für Modell HR2470T/HR2470FT

Verwenden Sie das Schnellwechselbohrfutter als Standardausrüstung. Lesen Sie zu dessen Montage den Abschnitt "Wechseln des Schnellwechselfutters für SDS-Plus" auf der vorherigen Seite.


Halten Sie den Ring fest, und drehen Sie den Kranz gegen den Uhrzeigersinn, um die Spannfutterbacken zu öffnen. Schieben Sie den Einsatz so weit wie möglich in das Spannfutter. Halten Sie den Ring fest, und drehen Sie den Kranz im Uhrzeigersinn, um das Spannfutter anzuziehen. Wenn Sie den Bohrer entfernen möchten, müssen Sie den Ring festhalten und den Kranz gegen den Uhrzeigersinn drehen.

Stellen Sie den Drehknopf zum Wechsel der Aktionsbetriebsart auf das Symbol . Der maximale Bohrdurchmesser beträgt 13 mm bei Metall und 32 mm bei Holz.

## VORSICHT:

- Wenn das Schnellwechselbohrfutter am Werkzeug montiert ist, darf auf keinen Fall die Betriebsart "Schlagbohren" verwendet werden. Das Schnellwechselbohrfutter kann beschädigt werden. Darüber hinaus kann sich das Bohrfutter bei Linkslauf des Werkzeugs lösen.
- Sie beschleunigen das Bohren nicht durch übermäßigen Druck auf das Werkzeug. In Wirklichkeit führt dieser übermäßige Druck nur zur Beschädigung der Spitze Ihres Bohrers, zur Verminderung der Wirksamkeit des Werkzeugs und zur Verkürzung seiner Lebensdauer.
- In dem Augenblick, in dem der Bohrer in das Material eindringt, wirken auf das Werkzeug und den Bohrer enorme Kräfte. Halten Sie das Werkzeug fest und achten Sie darauf, wenn der Bohrer in das zu bohrende Teil einzudringen beginnt.
- Ein festgefressener Bohrer kann einfach durch Umschalten des Drehrichtungsumschalters in die entgegengesetzte Position befreit werden. Wenn Sie jedoch das Werkzeug nicht festhalten, kann es unerwartet herausspringen.
- Spannen Sie kleine Werkstücke immer in einem Schraubstock oder einer ähnlichen Haltevorrichtung ein.

## Diamantkernbohren

Stellen Sie den Umschalthebel beim Diamantkernbohren immer auf die Position  ein, um die Betriebsart "Drehbohren" zu verwenden.

## VORSICHT:

- Ist beim Diamantkernbohren hingegen die Betriebsart "Schlagbohren" eingestellt, kann die Diamantbohrkrone gegebenenfalls beschädigt werden.

## WARTUNG

## VORSICHT:

- Bevor Sie mit der Kontrolle oder Wartung des Werkzeugs beginnen, überzeugen Sie sich immer, dass es ausgeschaltet und der Stecker aus der Steckdose herausgezogen ist.
- Verwenden Sie zum Reinigen niemals Kraftstoffe, Benzin, Verdünnern, Alkohol oder ähnliches. Dies kann zu Verfärbungen, Verformungen oder Rissen führen.

Zur Aufrechterhaltung der SICHERHEIT und ZUVERLÄSSIGKEIT des Produkts müssen die Reparaturen, die Kontrolle und der Wechsel der Kohlen sowie alle Wartungen und Einstellungen von den autorisierten Servicestellen der Firma Makita und unter Verwendung der Ersatzteile von Makita durchgeführt werden.

# SONDERZUBEHÖR

## **⚠ VORSICHT:**

- Für Ihr Werkzeug Makita, das in dieser Anleitung beschrieben ist, empfehlen wir folgende Zubehörteile und Aufsätze zu verwenden. Bei der Verwendung anderer Zubehörteile oder Aufsätze kann die Verletzungsgefahr für Personen drohen. Die Zubehörteile und Aufsätze dürfen nur für ihre festgelegten Zwecke verwendet werden.

Wenn Sie nähere Informationen bezüglich dieses Zubehörs benötigen, wenden Sie sich bitte an Ihre örtliche Servicestelle der Firma Makita.

- SDS-Plus-Hartmetallschneiden
- Punkthammer
- Kaltmeißel
- Verzunderungsmeißel
- Nutenmeißel
- Bohrfuttersatz
- Bohrfutter S13
- Bohrfutteradapter
- Spannfutterschlüssel S13
- Bohrer-/Meißelfett
- Seitenzusatzgriff
- Tiefenlehre
- Ausblasvorrichtung
- Staubschutzkappe
- Staubabzugsvorrichtung
- Schutzbrille
- Kunststoffkoffer
- Schlüsselloses Bohrmaschinenspannfutter

## **HINWEIS:**

- Einige der in der Liste aufgeführten Elemente sind dem Werkzeugpaket als Standardzubehör beigelegt. Diese können in den einzelnen Ländern voneinander abweichen.

## RÉSZLETES LEÍRÁS

Modell			HR2470/HR2470F	HR2470T/HR2470FT
Teljesítmény	Beton	Wolfram-karbidvégű szerszám	24 mm	
		Lyukfűrész	54 mm	
		Gyémánt magfűrő (száraz típus)	65 mm	
	Acél		13 mm	
	Fa		32 mm	
Üresjárat fordulatszám (min <sup>-1</sup> )			0 - 1100	
Lökés percenként			0 - 4500	
Teljes hossz			370 mm	394 mm
Tiszta tömeg			2,9 kg	3,0 kg
Biztonsági osztály			□/II	

- Folyamatos kutató- és fejlesztőprogramunk eredményeként az itt felsorolt tulajdonságok figyelmeztetés nélkül megváltozhatnak.
- A tulajdonságok országról országra különbözhetnek.
- Súly, az EPTA 01/2003 eljárás szerint

### Rendeltetésszerű használat

A szerszám téglá, beton és kő útvefűrésére és fűrésására használható, valamint vésési munkák végzésére. Emellett csak fűrésre fa, fém, kerámia és műanyagok esetében.

### Tápfeszültség

A szerszámot kizárólag olyan egyfázisú, váltóáramú hálózatra szabad kötni, amelynek feszültsége meg egyezik az adattábláján szereplő feszültséggel. A szerszám kettős szigetelésű, ezért földelővezeték nélküli aljzatról is működtethető.

### Zaj

A tipikus A-súlyozású zajszint, az EN60745 szerint meghatározva:

- Hangnyomásszint ( $L_{pA}$ ): 90 dB (A)
- Hangteljesítményszint ( $L_{WA}$ ): 101 dB (A)
- Tűrés (K): 3 dB (A)

### Viseljen fülvédőt

### Vibráció

A vibráció teljes értéke (háromtengelyű vektorösszeg) EN60745 szerint meghatározva:

- Működési mód: vésés
- Rezgéskibocsátás ( $a_{h,CHeg}$ ): 12,5 m/s<sup>2</sup>
- Tűrés (K): 1,5 m/s<sup>2</sup>
- Munka mód : útvefűrés betonba
- Rezgéskibocsátás ( $a_{h,HD}$ ): 15,5 m/s<sup>2</sup>
- Tűrés (K): 1,5 m/s<sup>2</sup>
- Működési mód : fűrés fémbe
- Rezgéskibocsátás ( $a_{h,D}$ ): 4,5 m/s<sup>2</sup>
- Tűrés (K): 1,5 m/s<sup>2</sup>

**MEGJEGYZÉS:** A rezgéskibocsátás értéke a szabványos vizsgálati eljárásnak megfelelően lett mérve, és segítségével az elektromos kéziszerszámok összehasonlíthatók egymással.

**MEGJEGYZÉS:** A rezgéskibocsátás értékének segítségével előzetesen megbecsülhető a rezgésnek való kitettség mértéke.

**▲ FIGYELMEZTETÉS:** A szerszám rezgés kibocsátása egy adott alkalmazásnál eltérhet a megadott értéktől a használat módjától függően.

**▲ FIGYELMEZTETÉS:** Határozza meg a kezelő védelmét szolgáló munkavédelmi lépéseket, melyek az adott munkafeltételek melletti vibrációs hatás becsült mértékén alapulnak (figyelembe véve a munkaciklus elemeit, mint például a gép leállításának és üresjáratának mennyiségét az elindítások száma mellett).

## EK Megfelelőségi nyilatkozat

### Csak európai országokra vonatkozóan

Az EK-megfelelőségi nyilatkozat az útmutató „A” mellékletében található.

## A szerszámgepekre vonatkozó általános biztonsági figyelmeztetések

**FIGYELEM** Olvassa el az összes biztonsági figyelmeztetést és utasítást. Ha nem tartja be a figyelmeztetéseket és utasításokat, akkor áramütést, tüzet és/vagy súlyos sérülést okozhat.

**Őrizzen meg minden figyelmeztetést és utasítást a későbbi tájékozódás érdekében.**

## A FÚRÓKALAPÁCSRA VONATKOZÓ BIZTONSÁGI FIGYELMEZTETÉSEK

1. **Viseljen fülvédőt.** A zajártalom halláskárosodást okozhat.
2. **Ha a szerszámhoz mellékelte, használja a kiegészítő fogantyú(ka)t.** Az irányítás elvesztése személyi sérüléshez vezethet.
3. **A szerszámot a szigetelő fogófelületeinél fogja olyan műveletek végzésekor, amikor fennáll a veszélye, hogy a vágóeszköz rejtett vezetékkel vagy a szerszám tápkábelével érintkezhet.** A vágószerszám "élő" vezetékkel való érintkezésekor a szerszám fém alkatrészi is "élővé" válhatnak, és a kezelőt áramütés.
4. **Viseljen védősisakot, védőszemüveget és/vagy arcvédőt. A normál szemüvegek vagy a napszemüvegek NEM védőszemüvegek.** Emellett különösen javasolt porvédő maszk és vastag kesztyű használata is.
5. **A használat megkezdése előtt ellenőrizze, hogy a vésőszerszám rögzítve van.**
6. **A szerszám úgy lett tervezve, hogy normál működés rezegésbe jön. A csavarok könnyen meglazulhatnak, meghibásodást, vagy balesetet okozva. A használat előtt gondosan ellenőrizze a csavarok szorosságát.**
7. **Hideg időben, vagy ha hosszabb ideig nem használta, hagyja, hogy a szerszám bemelegedjen, terhelés nélkül működtetve azt. Ezáltal felenged a kenőanyag. A megfelelő bemelegítés nélkül a vésési művelet nehézkes.**
8. **Mindig bizonyosodjon meg arról hogy szilárdan áll. Bizonyosodjon meg arról hogy senki sincs lent amikor a szerszámot magas helyen használja.**
9. **Szilárdan tartsa a szerszámot mindkét kezével.**
10. **Tartsa távol a kezét a mozgó alkatrészekről.**
11. **Ne hagyja a szerszámot bekapcsolva. Csak kézben tartva használja a szerszámot.**
12. **Ne fordítsa a szerszámot a munkaterületen tartózkodó személyek felé működés közben. A vésőszerszám kirepülhet és valakit súlyosan megsebesíthet.**
13. **Ne érjen a vésőszerszámhoz vagy az alkatrészekhez közvetlenül a munkavégzést követően; azok rendkívül forrók lehetnek és megégethetik a bőrt.**
14. **Némelyik anyag mérgező vegyületet tartalmazhat. Gondoskodjon a por belélegzése elleni és érintés elleni védelemlről. Kövesse az anyag szállítójának biztonsági utasításait.**

**ŐRIZZ EZEKET AZ UTASÍTÁSOKAT.**

**FIGYELMEZTETÉS: NE HAGYJA,** hogy a kényelem vagy a termék (többszörői használatból adódó) mind alaposabb ismerete váltsa fel az adott termékre vonatkozó biztonsági előírások szigorú betartását. **A HELYTELEN HASZNÁLAT és a használati útmutatóban szereplő biztonsági előírások megszegése súlyos személyi sérülésekhez vezethet.**

## MŰKÖDÉSI LEÍRÁS

### FIGYÁZAT:

- Mindig bizonyosodjon meg a szerszám kikapcsolt és a hálózathoz nem csatlakoztatott állapotáról mielőtt ellenőrizi vagy beállítja azt.

## A kapcsoló használata

► **Ábra1:** 1. Kioldókapcsoló 2. Zárgomb

### FIGYÁZAT:

- A szerszám hálózatra csatlakoztatása előtt mindig ellenőrizze hogy a kapcsoló kioldógombja megfelelően mozog és visszatér a kikapcsolt (OFF) állapotba elengedése után.

A szerszám bekapcsolásához egyszerűen húzza meg a kioldókapcsolót. A szerszám fordulatszám a nő ahogy egyre jobban húzza a kioldókapcsolót. Engedje fel a kioldókapcsolót a leállításához. A folyamatos működtetéshez húzza meg a kioldókapcsolót majd nyomja be a reteszelőgombot. A szerszám kikapcsolásához reteszelt állásból teljesen húzza be a kioldókapcsolót, majd engedje fel.

## A lámpák bekapcsolása

### HR2470F/HR2470FT típusok

► **Ábra2:** 1. Lámpa

### FIGYÁZAT:

- Ne tekintsen a fénybe vagy ne nézze egyenesen a fényforrást.

A lámpa bekapcsolásához húzza meg a kapcsolót. Engedje fel a kapcsolót a kikapcsoláshoz.

### MEGJEGYZÉS:

- Használjon száraz rongyot a lámpa lencséin lévő szennyeződés eltávolításához. Ügyeljen arra hogy ne karcolja meg a lámpa lencsét, ez csökkentheti a megvilágítás erősségét.

## Forgásirányváltó kapcsoló használata

► **Ábra3:** 1. Forgásirányváltó kapcsolókar

### ⚠ VIGYÁZAT:

- A bekapcsolás előtt mindig ellenőrizze a beállított forgásirányt.
- Az irányváltó kapcsolót csak azután használja, hogy a szerszám teljesen megállt. A forgásirány megváltoztatása még azelőtt, hogy a szerszám leállt volna, a gép károsodását okozhatja.
- Ha a kioldókapcsoló nem nyomható le, ellenőrizze, hogy az irányváltó kar teljesen be van állítva a ◀ (A oldal) vagy ▶ (B oldal) pozíciók egyikébe.

Ez a szerszám irányváltó kapcsolóval van felszerelve a forgásirány megváltoztatásához. Mozgassa az irányváltó kart a ◀ pozícióba (A oldal) az óramutató járásával megegyező vagy a ▶ pozícióba (B oldal) az azzal ellentétes irányú forgáshoz.

## Az SDS-plus gyorstokmány cseréje

### HR2470T/HR2470FT típusok



Az SDS-plus gyorstokmány könnyen lecserélhető a gyorsbefogó fúrótokmányra.

### Az SDS-plus gyorstokmány eltávolítása

► **Ábra4:** 1. Gyorscserélő SDS-plus tokmány  
2. Váltófedél vonala 3. Váltófedél




### ⚠ VIGYÁZAT:

- Mindig távolítsa el a szerszámot, mielőtt eltávolítja az SDS-plus gyorstokmányt.

Markolja meg az SDS-plus gyorstokmány váltófedelét és fordítsa el a nyíl irányába amíg a váltófedél vonala átmegy a  jelöléstől a  jelölésig. Erősen húzza meg a nyíl irányába.


### A gyorsbefogó fúrótokmány felszerelése

► **Ábra5:** 1. Orsó 2. Gyorscserélő fúrótokmány  
3. Váltófedél vonala 4. Váltófedél

Ellenőrizze, hogy a gyorsbefogó fúrótokmány vonala a  jelölésnél áll. Markolja meg a gyorsbefogó fúrótokmány váltófedelét és állítsa a vonalát a  jelöléshez. Helyezze a gyorsbefogó fúrótokmányt a szerszám orsójára. Markolja meg a gyorsbefogó fúrótokmány váltófedelét és fordítsa a váltófedél vonalát a  jelöléshez amíg egy kattantást nem hall.


## A működési mód kiválasztása

### Ütvefúrás

► **Ábra6:** 1. Zárgomb 2. Működési mód váltó gomb  
Beton, fal, stb. fúrásakor nyomja le a reteszelőgombot és fordítsa a működési mód váltó gombot  jelöléshez. Használjon wolfram-karbid hegyű szerszámot.

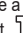
## Fúrás

► **Ábra7:** 1. Fúrás

Fa, fém vagy műanyagok fúrásakor nyomja le a reteszelőgombot és fordítsa a működési mód váltó gombot  jelöléshez. Használjon csigafúró szerszámot vagy fafúró szerszámot.

## Vésés

► **Ábra8:** 1. Vésés

Vésési, kaparási vagy bontási műveletekhez nyomja le a reteszelőgombot és forgassa el a működési mód váltó kart  jelöléshez. Használjon fúródat, bontóvésőt, kaparóvésőt, stb.

### ⚠ VIGYÁZAT:

- Ne fordítsa el a működési mód váltó gombot, ha a szerszám terhelés alatt van. A szerszám károsodik.
- Az üzemmódváltó mechanizmus gyors kopásának elkerülése érdekében ügyeljen rá, hogy a működési mód váltó gomb mindig teljesen a három működési módnak megfelelő pozíció egyikében legyen.

## Nyomatékhatóroló

A nyomatékhatóroló akkor lép működésbe amikor egy bizonyos nyomatékszint elérésre kerül. A motor lekapcsolódik a kimenőtengelyről. Ha ez megtörténik, a szerszám forgása megáll.

### ⚠ VIGYÁZAT:

- Amint a nyomatékhatóroló bekapcsol, azonnal kapcsolja ki a szerszámot. Ez segít a szerszám idő előtti elhasználódásának megelőzésében.
- Azok a fúrószerszámok, mint pl. a lyukfűrész, amelyek könnyen beszorulhatnak vagy becsipődhetnek, nem megfelelőek ehhez a szerszámhoz. Ennek oka, hogy ezek a nyomatékhatóroló túl gyakori bekapcsolódását okozzák.

## ÖSSZESZERELÉS

### ⚠ VIGYÁZAT:

- Mindig bizonyosodjon meg a szerszám kikapcsol és a hálózathoz nem csatlakoztatott állapotáról mielőtt bármilyen munkálatot végezne rajta.

## Oldalsó markolat (kisegítő markolat)

► **Ábra9:** 1. Markolat szorítóbilincse 2. Oldalmarkolat  
3. Lazítsa meg 4. Rögzíteni 5. Fogak  
6. Kiemelkedés

### ⚠ VIGYÁZAT:

- A biztonságos használat érdekében mindig használja az oldalsó markolatot.

Az oldalsó markolatot úgy szerelje fel, hogy a fogantyú szorítóbilincseben található fogak illeszkedjenek a szerszám orsójának található kiemelkedésekbe. Ezt követően rögzítse a markolatot az óramutató járásával egyező irányban elforgatva. Ez 360°-ban elforgatható és bármilyen pozícióban rögzíthető.

## Szerszámzsír

Kenjen előzetesen a szerszám szárára kis mennyiségű szerszámzsírt (nagyjából 0,5 - 1 g-ot).

A tokmány ilyen kenése akadálymentes működést és hosszabb élettartamot biztosít.

## A vésőszerszám berakása vagy eltávolítása

► **Ábra10:** 1. Vésőszerszám szára 2. Szerszámzsír

Tisztítsa meg a szerszámot és használjon szerszámzsírt a vésőszerszám behelyezése előtt.

► **Ábra11:** 1. Betét 2. Tokmányfedél


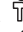
Helyezze a vésőszerszámot a gépbe. Fordítsa el a vésőszerszámot és nyomja be amíg nem rögzül. A behelyezés után mindig ellenőrizze, hogy a vésőszerszám biztosan a helyén van úgy, hogy megpróbálja azt kihúzni.

A szerszám eltávolításához húzza le teljesen a tokmány fedelét, és húzza ki a szerszámot.

► **Ábra12:** 1. Betét 2. Tokmányfedél

## A szerszám szöge (véséshez, kaparáshoz vagy bontáshoz)

► **Ábra13:** 1. Zárgomb 2. Működési mód váltó gomb

A szerszám a kívánt szögben rögzíthető. A szerszám szögének módosításához nyomja le a reteszelőgombot és forgassa el a működési mód váltó gombot a  jelöléshez. Fordítsa el a szerszámot a kívánt szögben. Nyomja le a reteszelőgombot és forgassa el a működési mód váltó gombot a  jelöléshez. Ezután ellenőrizze, hogy a szerszám megfelelően rögzítve van, kissé elfordítva azt.

► **Ábra14**

## Mélységmérce

► **Ábra15:** 1. Mélységmérce

A mélységmérce használata hasznos egyforma mélységű lyukak fúrásakor. Lazítsa meg a csavart és állítsa be a mércét a kívánt mélységre. A beállítás befejeztével húzza meg az oldalmarkolatot.

### MEGJEGYZÉS:

- A mélységmérő nem használható olyan állásban, ahol nekiütözik a fogaskerékhez.

## Porfogó

► **Ábra16:** 1. Porfogó


Használja a porfogót annak megelőzésére, hogy a por kiessen a fűrőből vagy Önre essen amikor a feje fölött végez munkát. Csatlakoztassa a porfogót a szerszámhoz az ábrán látható módon. A szerszámok mérete, amelyekhez a porfogó még csatlakoztatható, a következő.

	Szerszám átmérője
Porfogó, 5	6 mm - 14,5 mm
Porfogó, 9	12 mm - 16 mm

# ÜZEMELTETÉS

## Ütvefűrás

► **Ábra17**

Állítsa a működési mód váltó gombot a  jelöléshez. Állítsa a szerszám hegyét a furat tervezett helyére és húzza meg a kioldókapcsolót.

Ne erőltesse a szerszámot. Az enyhe nyomás adja a legjobb eredményt. Tartsa egy helyben a szerszámot és ne engedje, hogy kicsússzon a furatból.

Ne fejtse ki nagyobb nyomást amikor a furat eltömődik forgáccsal és más részecskékkel. Ehelyett működtesse a szerszámot terhelés nélkül és részlegesen húzza ki a szerszámot a furatból. Ezt többször megismételve kitisztítja a furatot és folytathatja a fűrészt.

### ⚠ VIGYÁZAT:

- Hatalmas és hirtelen jövő csavaróerő hat a szerszámra/fűrészárra a furat áttörésének pillanatában, amikor a furat eltömődik forgáccsal és szemcsékkel, vagy amikor eltalálja a betonba ágyazott merevítőrudakat. Mindig használja az oldalsó markolatot (kisegítő markolatot), és szilárdan tartsa a szerszámot mindkét oldalsó markolattal, és a kapcsolófogantyúval a munka során. Ennek elmulasztása a szerszám feletti uralom elvesztését, és komoly személyi sérüléseket okozhat.

**MEGJEGYZÉS:** A szerszám forgása excentrikus lehet amikor a szerszámot terhelés nélkül működteti. A szerszám automatikusan középpontozza magát működés közben. Ez nem befolyásolja a fűrés pontosságát.


## Kifújókörté (opcionális kiegészítő)

► **Ábra18:** 1. Kifújókörté

A furat kifűrése után egy kifújókörtével eltávolíthatja a port a furatból.

## Vésés/kaparás/bontás

► **Ábra19**

Állítsa a működési mód váltó gombot a  jelöléshez. Szilárdan tartsa a szerszámot mindkét kezével. Kapcsolja be a szerszámot és fejtse ki enyhe nyomást a szerszámra úgy, hogy az még ne pattogjon körbe ellenőrizetlenül. Ha nagyon erősen nyomja a szerszámot, azzal nem növeli a hatásfokát.

## Fa vagy fém fűrése

► **Ábra20:** 1. Fűrőtokmányadapter 2. Kulcsnélküli fűrőtokmány

► **Ábra21:** 1. Gyorscserélő SDS-plus tokmány 2. Váltófedél vonala 3. Váltófedél


► **Ábra22:** 1. Orsó 2. Gyorscserélő fűrőtokmány 3. Váltófedél vonala 4. Váltófedél

► **Ábra23:** 1. Hüvely 2. Gyűrű 3. Gyorscserélő fűrőtokmány

## HR2470T/HR2470F típusok

Használja az opcionális fúrótokmány szerelvényt. A felszereléséhez tájékozódjon "A fúrószerszám behelyezése és eltávolítása" fejezetből az előző oldalon.


## HR2470T/HR2470FT típusok

Használja a gyorsbefogó fúrótokmányt mint standard felszerelést. A felszereléséhez tájékozódjon "Az SDS-plusz gyorstokmány cseréje" fejezetből az előző oldalon. Tartsa gyűrűt és forgassa a hüvelyt az óramutató járásával ellentétes irányba a tokmánypofa szétnyitásához. Helyezze a fúrószerszámot a tokmányba ameddig csak lehet. Tartsa a gyűrűt és forgassa a hüvelyt az óramutató járásának irányába a tokmány meghúzásához. A szerszám kivételéhez fogja meg a gyűrűt, és forgassa a hüvelyt az óramutató járásával ellentétes irányba. Állítsa a működési mód váltó gombot a  jelöléshez. Legfeljebb 13 mm átmérőig fúrhat fémet, és 32 mm átmérőig fát.

### **⚠ VIGYÁZAT:**

- Soha ne használja az "útvefűrés" módot, ha a gyorscserélő fúrótokmány fel van szerelve a szerszámmal. A gyorscserélő fúrótokmány károsodhat. Emellett a fúrótokmány kijön amikor visszafelé forgatja a szerszámot.
- A szerszámmal alkalmazott túlságosan nagy nyomás nem gyorsítja meg a lyuk kifűrését. Valójában a főlegesen nagy nyomás csupán a fúróhegy sérüléséhez, a szerszám teljesítményének csökkenéséhez vezet és lerövidíti a szerszám hasznos élettartamát.
- Óriási forgatóerő fejlődik ki a szerszámmal/fúróhegyre amikor a lyuk áttörik az anyagon. Tartsa szilárdan a szerszámot és dolgozzon óvatosan amikor a fúróhegy megkezdheti a munkadarab áttörését.
- A megakadt fúróhegy egyszerűen eltávolítható az irányváltó kapcsoló másik irányba történő átkapcsolásával hogy a fúró kihátrásához. Azonban a szerszám váratlanul hátrálhat ki ha nem tartja szilárdan.
- Mindig erősítse a kisebb munkadarabokat satuba vagy hasonló rögzítőberendezésbe.

## Fúrás gyémánt magfúróval

Gyémánt magfúró használatakor a váltókart mindig állítsa a  jelöléshez, hogy a "fúrás" módot használja.

### **⚠ VIGYÁZAT:**

- Ha a gyémánt magfúrot az "útvefűrés" módban használja, akkor a gyémánt magfúró károsodhat.

## KARBANTARTÁS

### **⚠ VIGYÁZAT:**

- Mindig bizonyosodjék meg arról hogy a szerzőszám kikapcsoltsolt és a hálózatra nem csatlakoztatott állapotban van mielőtt a vizsgálatához vagy karbantartásához kezdene.
- Soha ne használjon gázolajt, benzint, hígítót, alkoholt vagy hasonló anyagokat. Ezek elszennyeződést, alakvesztést vagy repedést okozhatnak.

A termék BIZTONSÁGÁNAK és MEGBÍZHATÓSÁGÁNAK fenntartásához, a javításokat, a szénkefék ellenőrzését és cseréjét, bármilyen egyéb karbantartást vagy beszüabályozást a Makita Autorizált Szervizközpontoknak kell végrehajtaniuk, mindig Makita pótalkatrészek használatával.

## OPCIONÁLIS KIEGÉSZÍTŐK

### **⚠ VIGYÁZAT:**

- Ezek a tartozékok vagy kellékek ajánlottak az Önnek ebben a kézikönyvben leírt Makita szerzőszámához. Bármely más tartozék vagy kellék használata személyes veszélyt vagy sérülést jelenthet. A tartozékokat vagy kelléket használja csupán annak kifejezett rendeltetésére.

Ha bármilyen segítségre vagy további információkra van szüksége ezekkel a tartozékokkal kapcsolatban, keresse fel a helyi Makita Szervizközpontot.

- SDS-Plusz karbidhegyű szerszám
- Fúrórúd
- Bontóvéső
- Kaparóvéső
- Horonyvéső
- Fúrótokmány szerelvény
- S13 fúrótokmány szerelvény
- Fúrótokmányadapter
- S13 tokmánykulcs
- Szerszámzsír
- Oldalsó markolat
- Mélységmérce
- Kifűjőkörte
- Porfogó
- Porelszívó toldalék
- Védőszemüveg
- Műanyag szállítódoboz
- Gyorstokmány

### **MEGJEGYZÉS:**

- A listán felsorolt néhány kiegészítő megtalálható az eszköz csomagolásában standard kiegészítőként. Ezek országonként eltérőek lehetnek.

# TECHNICKÉ ÚDAJE

Model			HR2470/HR2470F	HR2470T/HR2470FT
Výkony	Betón	Ostrie so spekaným karbidom-volfrámom	24 mm	
		Jadrovacie dláto	54 mm	
		Brúsné jadrovacie dláto (suchý typ)	65 mm	
	Oceľ		13 mm	
	Drevo		32 mm	
Otáčky naprázdno (min <sup>-1</sup> )			0 - 1100	
Úderov za minútu			0 - 4500	
Celková dĺžka			370 mm	394 mm
Hmotnosť netto			2,9 kg	3,0 kg
Trieda bezpečnosti			□/II	

- Vzhľadom k neustálemu výskumu a vývoju tu uvedené technické údaje podliehajú zmenám bez upozornenia.
- Technické údaje sa môžu pre rozne krajiny líšiť.
- Hmotnosť podľa postupu EPTA 01/2003

## Určené použitie

Tento nástroj je určený na kladivové vŕtanie a vŕtanie do tehly, betónu a kameňa, ako aj na sekacie práce. Je vhodný aj na bezpríkrepové vŕtanie do dreva, kovu, keramiky a plastu.

## Napájanie

Náradie by malo byť pripojené jedine k prívodu elektrickej energie s hodnotou napätia rovnakou, ako je uvedená na štítku s názvom zariadenia, pričom náradie môže byť napájané jedine jednofázovým striedavým prúdom. Je vybavené dvojistou izoláciou a preto sa môže používať pri zapojení do zásuviek bez uzemňovacieho vodiča.

## Hluk

Typická hladina akustického tlaku pri záťaži A určená podľa EN60745:

- Hladina akustického tlaku ( $L_{pA}$ ): 90 dB (A)
- Hladina akustického výkonu ( $L_{WA}$ ): 101 dB (A)
- Odchýlka (K): 3 dB (A)

### Používajte chrániče sluchu

## Vibrácie

Celková hodnota vibrácií (trojosový vektorový súčet) určená podľa normy EN60745:

- Pracovný režim: sekание
- Emisie vibrácií ( $a_{h,Chetq}$ ): 12,5 m/s<sup>2</sup>
- Odchýlka (K): 1,5 m/s<sup>2</sup>
- Pracovný režim : príklepové vŕtanie do betónu
- Emisie vibrácií ( $a_{h,HD}$ ): 15,5 m/s<sup>2</sup>
- Odchýlka (K): 1,5 m/s<sup>2</sup>
- Pracovný režim: vŕtanie do kovu
- Emisie vibrácií ( $a_{h,D}$ ): 4,5 m/s<sup>2</sup>
- Odchýlka (K): 1,5 m/s<sup>2</sup>

**POZNÁMKA:** Deklarovaná hodnota emisií vibrácií bola meraná podľa štandardnej skúšobnej metódy a môže sa použiť na porovnanie jedného náradia s druhým.

**POZNÁMKA:** Deklarovaná hodnota emisií vibrácií sa môže použiť aj na predbežné posúdenie vystavenia ich účinkom.

**VAROVANIE:** Emisie vibrácií počas skutočného používania elektrického náradia sa môžu odlišovať od deklarovanej hodnoty emisií vibrácií, a to v závislosti na spôsoboch používania náradia.

**VAROVANIE:** Nezabudnite označiť bezpečnostné opatrenia s cieľom chrániť obsluhu, a to tie, ktoré sa zakladajú na odhade vystavenia účinkom v rámci reálnych podmienok používania (berúc do úvahy všetky súčasti prevádzkového cyklu, ako sú doby, kedy je náradie vypnuté a kedy beží bez zaťaženia, ako dodatok k dobe zapnutia).

## Vyhlasenie o zhode ES

### Len pre krajiny Európy

Vyhlasenie o zhode ES sa nachádza v prílohe A tohto návodu na obsluhu.

## Všeobecné bezpečnostné predpisy pre elektronáradie

**⚠️ UPOZORNENIE** Prečítajte si všetky upozornenia a inštrukcie. Nedodržovanie pokynov a inštrukcií môže mať za následok úraz elektrickým prúdom, požiar alebo vážne zranenie.

Všetky pokyny a inštrukcie si odložte pre prípad potreby v budúcnosti.

## BEZPEČNOSTNÉ VÝSTRAHY PRE VRTACIE KĽADIVO

1. **Používajte chrániče sluchu.** Vystavenie hluku môže spôsobiť stratu sluchu.
2. **Pokiaľ je s náradím dodávaná prídavná ruko-  
vát(ə) používajte ju.** Strata ovládania môže mať za následok osobné poranenie.
3. **Elektrické náradie pri práci držte len za izolo-  
vané úchopné povrchy, lebo rezný prvok sa  
môže dostať do kontaktu so skrytými vodičmi  
alebo vlastným káblom.** Rezné príslušenstvo,  
ktoré sa dostane do kontaktu so „živým“ vodičom  
môže spôsobiť vystavenie kovových častí elek-  
trického náradia „živému“ prúdu a spôsobiť tak  
obsluhu zasiahnutie elektrickým prúdom.
4. **Používajte pevnú pokrývku hlavy (bezpeč-  
nostnú helmu), bezpečnostné okuliare a/alebo  
ochranný štít na tvár.** Obyčajné optické alebo  
slečné okuliare NIE sú ochranné okuliare.  
Tiež sa dôrazne odporúča používať protipra-  
chovú masku a hrubo vatované rukavice.
5. **Pred prácou overte, či je vrták zaistený na mieste.**
6. **Pri bežnej prevádzke tento nástroj vytvára vib-  
rácie. Ľahko môže dôjsť k uvoľneniu skrutiek a  
následnej poruche alebo nehode.** Preč prácou  
dôkladne skontrolujte dotiahnutie skrutiek.
7. **V chladnom počasí, alebo keď sa nástroj  
dlhšiu dobu nepoužíval, nechajte nástroj  
chvilu zahriať pri prevádzke bez záťaže.** Tým  
sa uvoľní mazivo. Bez správneho predhriatia  
bude príklep prebiehať ťažko.
8. **Dbajte, abyste vždy mali pevnú oporu nôh.**  
Ak pracujete vo výškach, dbajte, aby pod vami  
nikto nebol.
9. **Držte nástroj pevne oboma rukami.**
10. **Ruky držte mimo dosahu pohyblivých častí.**
11. **Nenechávajte nástroj bežať bez dozoru.**  
Pracujte s ním, len keď ho držíte v rukách.
12. **Počas práce nemierte nástrojom na žiadnu  
osobu v blízkosti.** Vrták by mohol vyletieť a  
niekoho vážne poraniť.
13. **Nedotýkajte sa vrtáka alebo častí v blízkosti  
vrtáka hneď po úkone; môžu byť extrémne  
horúce a môžu popáliť vašu pokožku.**
14. **Niektoré materiály obsahujú chemikálie, ktoré  
môžu byť jedovaté.** Dávajte pozor, abyste  
ich nevdychovali alebo sa ich nedotýkali.  
Prečítajte si bezpečnostné materiálové listy  
dodávateľa.

**TIETO POKYNY USCHOVAJTE.**

**⚠️ VAROVANIE:** NIKDY nepripustite, aby pohodlie a dobrá znalosť výrobku (získané opakovaným používaním) nahradili presné dodržiavanie bezpečnostných pravidiel pre náradie. **NESPRÁVNE POUŽÍVANIE alebo nedodržiavanie bezpečnostných pokynov uvedených v tomto návode na obsluhu môže spôsobiť vážne poranenia osôb.**

## POPIS FUNKCIE

### ⚠️ POZOR:

- Pred nastavovaním nástroja alebo kontrolou jeho funkcie sa vždy presvedčte, že je vypnutý a vytiahnutý zo zásuvky.

## Zapínanie

► Obr.1: 1. Spínač 2. Blokovacie tlačidlo

### ⚠️ POZOR:

- Pred pripojením nástroja do zásuvky vždy skontrolujte, či spúšť funguje správne a po uvoľnení sa vracia do vypnutej polohy.

Ak chcete nástroj zapnúť, jednoducho potiahnite spínač. Rýchlosť nástroja sa zvyšuje zvyšovaním prítlaku na spúšťacie tlačidlo. Zastavíte ho uvoľnením spínača. Na zapnutie náradia v režime trvalého chodu najprv stlačte tlačidlo vypínača a potom ho v stlačenej polohe zaistíte posunutím aretačného tlačidla smerom nadol. Náradie sa z režimu trvalého chodu vypína stlačením a uvoľnením tlačidla vypínača.

## Zapnutie svetla

### Pre model HR2470F/2470FT

► Obr.2: 1. Svetlo

### ⚠️ POZOR:

- Neďívajte sa priamo do svetla alebo jeho zdroja.

Lampa sa zapína stlačením spúšťacieho tlačidla. Vypnete ju uvoľnením tohto tlačidla.

### POZNÁMKA:

- Na utretie nečistôt z šošovky svetla použijte suchú handričku. Dávajte pozor, aby ste šošovku svetla nepoškrali, môže sa tým zmenšiť jeho svietivosť.

## Prepínanie smeru otáčania

► **Obr.3:** 1. Prepínacia páčka smeru otáčania

### ▲POZOR:

- Pred začatím činnosti vždy skontrolujte smer otáčania.
- Vratný prepínač používajte len po úplnom zastavení nástroja. Pri zmene smeru otáčania pred úplným zastavením by sa mohol nástroj poškodiť.
- V prípade, že sa tlačidlo vypínača nedá stlačiť, skontrolujte, či je prepínacia páčka nastavená do polohy ◀(strana A) alebo ▶(strana B).

Toto náradie má prepínaciu páčku na pravo-ľavobežný chod. Zatláčte prepínaciu páčku do polohy ◀(strana A) pre pravobežný chod, alebo do polohy ▶(strana B) pre ľavobežný chod.

## Výmena rýchlopínacieho skľučovadla s upínaním SDS-plus

### Pre model HR2470T/HR2470FT

Upínanie SDS-plus možno jednoducho zameniť za rýchlopínacie skľučovadlo.

### Demontáž výmenného upínania SDS-plus

► **Obr.4:** 1. Rýchlopínacie skľučovadlo pre SDS-plus 2. Zmena línie krytu 3. Zmena krytu

### ▲POZOR:

- Pred demontážou upínania SDS-plus vrták vždy vyberte.

Uchopte výmenný kryt upínania SDS-plus a točte v smere šípky, pokiaľ sa čiara na kryte nepresunie z polohy so symbolom ▲ do polohy ▲. Následne potlačte v smere šípky.

### Nasadenie rýchlopínacieho skľučovadla

► **Obr.5:** 1. Vreteno 2. Rýchlopínacie vrtákové skľučovadlo 3. Zmena línie krytu 4. Zmena krytu


Skontrolujte, či značka skľučovadla ukazuje na symbol ▲. Uchopte výmenný kryt skľučovadla a nastavte značku na symbol ▲. Rýchlopínacie skľučovadlo umiestnite na hriadeľ náradia.

Uchopte kryt skľučovadla a nastavte sa do polohy ▲, pokiaľ jasne nezapočujete kliknutie.

## Výber funkcie nástroja


### Vrtanie s príklepom

► **Obr.6:** 1. Blokovacie tlačidlo 2. Gombík na zmenu funkcie

Pre vrtanie do betónu, muriva a pod. zatláčte aretačné tlačidlo a otočte prepínačom režimu na symbol . Použite vrták s hrotom z volfrámu-karbidu.


### Vrtanie bez príklepu

► **Obr.7:** 1. Len otáčanie

Pre vrtanie do dreva, kovu alebo plastových materiálov zatláčte aretačné tlačidlo a otočte prepínačom režimu tak, aby značka smerovala na symbol . Použite frézovací vrták alebo vrták do dreva.

### Príklep

► **Obr.8:** 1. Len zatĺkanie

Pre sekanie, osekávanie alebo zbíjanie zatláčte aretačné tlačidlo a otočte prepínačom pracovného režimu tak, aby šípka na ňom smerovala na symbol . Použite vrtací hrot, plochý sekáč, atď.

### ▲POZOR:

- Neotáčajte prepínač za chodu náradia pri zatlačení. Môže to viesť k poškodeniu náradia.
- Nadmernému opotrebovaniu mechanizmu zmeny režimov predídete tým, že vždy nastavíte prepínač presne na jednu z troch polôh pracovných režimov.

## Obmedzovač krútiaceho momentu (bezpečnostná spojka)

Obmedzovač krútiaceho momentu preruší otáčanie vrtáka po dosiahnutí určitej hodnoty krútiaceho momentu. Otáčanie sa preruší pri súbežnom chode motora. Vtedy sa vrták prestane točiť.

### ▲POZOR:

- Len čo sa obmedzovač spustí, náradie ihneď vypnite. Zabráňte tým predčasnému opotrebovaniu náradia.
- Vrtáky ako korunový vrták, ktoré sa často zvyknú priškrtiť alebo zachytiť v otvore, nie sú vhodné pre tento nástroj. To preto, lebo obmedzovač krútiaceho momentu by sa aktivoval príliš často.

## MONTÁŽ

### ▲POZOR:

- Než začnete na nástroji robiť akékoľvek práce, vždy sa predtým presvedčte, že je vypnutý a vytiahnutý zo zásuvky.

## Bočná rukoväť (pomocná rukoväť)

► **Obr.9:** 1. Upínania podložka 2. Bočná rukoväť 3. Uvoľniť 4. Utiahnúť 5. Zub 6. Výčnelok

### ▲POZOR:

- Na zaistenie bezpečnej prevádzky vždy používajte bočnú rukoväť.

Prídavnú rukoväť upevnite na náradie tak, aby zuby na rukoväti zapadli medzi výčnelky na krčku vretena náradia. Potom ju v požadovanej polohe upevnite utiahnutím rúčky. Rukoväť možno nastaviť v ľubovoľnej polohe v rozsahu 360°.

## Vazelína na upínacie stopky vrtákov

Upínaciu stopku vrtáka pred použitím potrite tenkou vrstvou vazelíny (asi 0,5 - 1 g). Potretím vazelínou sa zabezpečí plynulý priebeh práce a dlhšia životnosť náradia.

## Montáž alebo demontáž vrtáka

► **Obr.10:** 1. Driek ostria 2. Vazelína na upínacie stopky vrtákov

Upínaciu stopku vrtáka očistite a potrite tenkou vrstvou vazelíny.

► **Obr.11:** 1. Vrták 2. Kryt skľučovadla

Zasuňte vrták do nástroja. Otočte vrtákom a potlačte ho, kým nezapadne.

Po vsunutí vždy potiahnutím za vrták skontrolujte, či je správne zaistený.


Pri vyberaní vrtáka objímkou posuňte až na doraz a vrták vyberte.

► **Obr.12:** 1. Vrták 2. Kryt skľučovadla

## Uhol vrtáka (pri sekani, osekávaní alebo zbíjaní)

► **Obr.13:** 1. Blokovacie tlačidlo 2. Gombík na zmenu funkcie

Vrták možno zaistiť do požadovaného uhla. Uhol vrtáka zmeníte tak, že zatlačíte aretačné tlačidlo a otočíte prepínačom pracovného režimu tak, aby šípka na ňom smerovala na symbol **O**. Otočte vrták do požadovaného uhla.

Stlačte aretačné tlačidlo a otočte prepínačom pracovného režimu do polohy so symbolom . Trocha vrták pootočte, aby ste sa presvedčili, že je pevne zaistený.

► **Obr.14**

## Hĺbkomer

► **Obr.15:** 1. Hĺbkomer

Hĺbkomer je šikvná pomôcka pri vrtaní otvorov rovnakej hĺbky. Povoľte bočnú rukoväť a zasuňte hĺbkomer do otvorov na nej. Nastavte hĺbkomer na požadovanú hĺbku a utiahnite bočnú rukoväť.

### POZNÁMKA:

- Zarážku nie je možné použiť v prípade, ak je otočená smerom ku krytu prevodovky náradia.

## Prachový kryt

► **Obr.16:** 1. Protiprachová ochranná manžeta


Prachový kryt slúži na zachytávanie prachu pri vrtaní v polohe nad hlavou (napr. do stropov). Nasadíte kryt na vrták podľa znázornenia. Rozmery vrtákov, na ktoré je možné prachový kryt nasadiť:

	Priemer ostria
Protiprachová ochranná manžeta 5	6 mm - 14,5 mm
Protiprachová ochranná manžeta 9	12 mm - 16 mm

# PRÁCA

## Vrtanie s príklepom

► **Obr.17**

Prepínač pracovných režimov nastavte na symbol . Vrták nastavte do požadovanej polohy pre hĺbku otvoru a stlačte vypínač.

Nevyvíjajte na náradie tlak. Menším tlakom dosiahnete vyššiu efektívnosť práce. Držte náradie presne v potrebnej polohe, aby vrták neskĺzol mimo vrtaný otvor. Nevyvíjajte väčší tlak, keď sa otvor zanesie úlomkami materiálu. Namiesto toho náradím trochu povytiahnite. Po niekoľkonásobnom zopakovaní sa otvor vyčistí a môžete pokračovať vo vrtaní.

### ▲ POZOR:

- Pri dokončovaní priechodného otvoru môže dôjsť k náhlej reakcii náradia, keď sa otvor zanesie úlomkami materiálu alebo pri náraze na spevňujúce tyče v betóne. Vždy používajte bočnú rukoväť (pomocnú rukoväť) a náradie pri práci držte pevne oboma rukami za bočnú rukoväť aj spínaciu rúčku. V opačnom prípade by ste mohli stratiť nad náradím kontrolu a ublížiť si.

**POZNÁMKA:** Pri voľnobežných otáčkach môže dôjsť k excentrickej rotácii vrtáka. Počas samotnej činnosti sa nástroj automaticky vycentruje. Nemá to teda vplyv na presnosť vrtania.


## Ofukovací balónik (zvláštne príslušenstvo)

► **Obr.18:** 1. Ofukovací balónik

Ofukovací balónik slúži na vyčistenie vyvrtaného otvoru od prachu.

## Sekanie / Osekávanie / Zbíjanie

► **Obr.19**

Prepínač pracovných režimov nastavte na symbol . Držte nástroj pevne oboma rukami. Zapnite nástroj a trochu naň tlače tak, aby nástroj neovládane neposkakoval. Príliš veľký prítlak nezaručuje najlepšie výsledky.

## Vrtanie do dreva / kovu

► **Obr.20:** 1. Nástavec skľučovadla 2. Vrtákové skľučovadlo bez kľúča

► **Obr.21:** 1. Rýchloupínacie skľučovadlo pre SDS-plus 2. Zmena línie krytu 3. Zmena krytu

► **Obr.22:** 1. Vretno 2. Rýchloupínacie vrtákové skľučovadlo 3. Zmena línie krytu 4. Zmena krytu


► **Obr.23:** 1. Objímka 2. Prstenec 3. Rýchloupínacie vrtákové skľučovadlo

## Pre model HR2470/HR2470F

Použite zostavu upínacieho skľučovadla (zvláštne príslušenstvo). Pri jeho montáži postupujte podľa pokynov "Vkládanie / vyberanie vrtákov" na predchádzajúcej strane.

## Pre model HR2470T/HR2470FT

Použite rýchloupínacie skľučovadlo ako štandardné vybavenie. Pri jeho montáži postupujte podľa pokynov "výmena rýchloupínacieho skľučovadla s upínaním SDS plus" na predchádzajúcej strane.


Chyťte veniec a otočte objímkou proti smeru hodinových ručičiek. Vložte vrták do skľučovadla až na doraz. Chyťte veniec a otočte objímkou proti v smere hodinových ručičiek na zaistenie skľučovadla. Vrták vyberiete opačným postupom. Prepínač pracovných režimov nastavte do polohy so symbolom .

Náradie umožňujúce vŕtanie otvorov do kovov do priemeru 13 mm a do dreva do priemeru 32 mm.

### POZOR:

- Keď je rýchloupínacie skľučovadlo namontované na náradie, nikdy nepoužívajte režim "vŕtanie s príklepom". Rýchloupínacie skľučovadlo by sa mohlo zničiť. Skľučovadlo by tiež mohlo pri ľavobežnom chode vypadnúť.
- Nadmerným tlakom na nástroj vŕtanie neurýchlite. V skutočnosti tento nadmerný tlak vedie len k poškodeniu hrotu vášho vrtáka, zníženiu účinnosti nástroja a skráteniu jeho životnosti.
- V okamžiku, kedy vrták vniká do materiálu, pôsobia na nástroj a na vrták obrovské sily. Držte nástroj pevne a dávajte pozor, keď vrták začína prenikať do vŕtaného dielu.
- Uviaznutý vrták sa dá jednoducho uvoľniť prepnutím prepínača smeru otáčania do opačnej polohy. Pokiaľ však nástroj nedržíte pevne, môže nečakane vyskočiť.
- Malé obrobky vždy upínajte do zveráka či do podobného upevňovacieho zariadenia.

## Vŕtanie s diamantovými vŕtacími korunkami

Pri vŕtaní s diamantovými vŕtacími korunkami vždy nastavte prepínač do polohy so symbolom  pre režim "vŕtanie".

### POZOR:

- Ak by ste pracovali v režime "vŕtanie s príklepom", korunky sa môžu zničiť.

## ÚDRŽBA

### POZOR:

- Než začnete robiť kontrolu alebo údržbu nástroja, vždy se presvedčte, že je vypnutý a vytiahnutý zo zásuvky.
- Nepoužívajte benzín, riedidlo, alkohol ani nič podobné. Mohlo by to spôsobiť zmenu farby, deformácie alebo praskliny.

Kvôli zachovaniu BEZPEČNOSTI a SPOLAHLIVOSTI výrobku musia byť opravy, kontrola a výmena uhlíkov a akákoľvek ďalšia údržba či nastavovanie robené autorizovanými servisnými strediskami firmy Makita a s použitím náhradných dielov Makita.

## VOLITEL'NÉ PRÍSLUŠENSTVO

### POZOR:

- Pre váš nástroj Makita, opísaný v tomto návode, doporučujeme používať toto príslušenstvo a nástavce. Pri použití iného príslušenstva či nástavcov môže hroziť nebezpečenstvo zranenia osôb. Príslušenstvo a nástavce sa môžu používať len na účely pre ne stanovené.

Ak potrebujete bližšie informácie týkajúce sa tohoto príslušenstva, obráťte sa na vaše miestne servisné stredisko firmy Makita.

- Vrtáky s karbidovým hrotom SDS-Plus
- Vŕtací hrot
- Plochý sekáč
- Sekacie dláto
- Dláto na drážky
- Zostava so skľučovadlom
- Upínacie skľučovadlo S13
- Adaptér k upínaciemu skľučovadlu
- Kľúč k upínaciemu skľučovadlu
- Vazelína na upínacie stopky vrtákov
- Bočné držadlo
- Híbkomer
- Ofukovací balónik
- Prachový kryt
- Zariadenie na odsávanie prachu
- Ochranné okuliare
- Plastový kufrik
- Bezklúčové sklúčidlo vŕtačky

### POZNÁMKA:

- Niektoré položky zo zoznamu môžu byť súčasťou balenia náradia vo forme štandardného príslušenstva. Rozsah týchto položiek môže byť v každej krajine odlišný.

## TECHNICKÉ ÚDAJE

Model			HR2470/HR2470F	HR2470T/HR2470FT
Výkony	Beton	Nástroj s ostřím z karbidu wolframu	24 mm	
		Vrtná korunka	54 mm	
		Diamantová jádrová vrtná korunka (suchý typ)	65 mm	
	Ocel	13 mm		
	Dřevo	32 mm		
Otáčky bez zatížení ( $\text{min}^{-1}$ )			0 - 1 100	
Přiklepů za minutu			0 - 4 500	
Celková délka			370 mm	394 mm
Hmotnost netto			2,9 kg	3,0 kg
Třída bezpečnosti			□/II	

- Vzhledem k neustálému výzkumu a vývoji zde uvedené technické údaje podléhají změnám bez upozornění.
- Technické údaje se mohou pro různé země lišit.
- Hmotnost podle EPTA – Procedure 01/2003

### Určení nástroje

Nástroj je určen k přiklepovému vrtnání a běžnému vrtnání do cihel, betonu a kamene a k sekání. Kromě toho je vhodný k bezpřiklepovému vrtnání do dřeva, kovů, keramických materiálů a plastů.

### Napájení

Zařízení je třeba připojit pouze k napájení se stejným napětím, jaké je uvedeno na výrobním štítku a může být provozováno pouze v jednofázovém napájecím okruhu se střídavým napětím. Nářadí je vybaveno dvojitou izolací a může být tedy připojeno i k zásuvkám bez zemnicího vodiče.

### Hlučnost

Typická vážená hladina hluku (A) určená podle normy EN60745:

- Hladina akustického tlaku ( $L_{pA}$ ): 90 dB (A)
- Hladina akustického výkonu ( $L_{WA}$ ): 101 dB (A)
- Nejistota (K): 3 dB (A)

### Používejte ochranu sluchu

### Vibrace

Celková hodnota vibrací (vektorový součet tří os) určená podle normy EN60745:

- Pracovní režim: sekání
- Emise vibrací ( $a_{h, \text{Chéq}}$ ): 12,5  $\text{m/s}^2$
- Nejistota (K): 1,5  $\text{m/s}^2$
- Pracovní režim: přiklepové vrtnání do betonu
- Emise vibrací ( $a_{h, \text{HD}}$ ): 15,5  $\text{m/s}^2$
- Nejistota (K): 1,5  $\text{m/s}^2$
- Pracovní režim: vrtnání do kovu
- Emise vibrací ( $a_{h, \text{D}}$ ): 4,5  $\text{m/s}^2$
- Nejistota (K): 1,5  $\text{m/s}^2$

**POZNÁMKA:** Deklarovaná hodnota emisí vibrací byla změřena v souladu se standardní testovací metodou a může být využita ke srovnávání nářadí mezi sebou.

**POZNÁMKA:** Deklarovanou hodnotu emisí vibrací lze rovněž využít k předběžnému posouzení vystavení jejich vlivu.

**VAROVÁNÍ:** Emise vibrací během skutečného používání elektrického nářadí se mohou od deklarované hodnoty emisí vibrací lišit v závislosti na způsobu použití nářadí.

**VAROVÁNÍ:** Na základě odhadu vystavení účinkům vibrací v aktuálních podmínkách zajistěte bezpečnostní opatření k ochraně obsluhy (vezměte v úvahu všechny části pracovního cyklu, mezi něž patří kromě doby pracovního nasazení i doba, kdy je nářadí vypnuto nebo pracuje ve volnoběhu).

## Prohlášení ES o shodě

### Pouze pro evropské země

Prohlášení ES o shodě je obsaženo v Příloze A tohoto návodu k obsluze.

## Obecná bezpečnostní upozornění k elektrickému nářadí

**⚠️ UPOZORNĚNÍ** Přečtěte si všechna bezpečnostní upozornění a pokyny. Při nedodržení upozornění a pokynů může dojít k úrazu elektrickým proudem, požáru nebo vážnému zranění.

Všechna upozornění a pokyny si uschovejte pro budoucí potřebu.

## BEZPEČNOSTNÍ UPOZORNĚNÍ K VRTACÍMU A SEKACÍMU KLADIVU

1. **Noste ochranu sluchu.** Hluk může způsobit ztrátu sluchu.
2. **Použijte pomocné držadlo (držadla), pokud je k nářadí dodáno.** Ztráta kontroly nad nářadím může způsobit zranění.
3. **Při práci v místech, kde může dojít ke kontaktu řezacího příslušenství se skrytým elektrickým vedením nebo s vlastním napájecím kabelem, držte elektrické nářadí za izolované části držadel.** Řezací příslušenství může při kontaktu s vodičem pod napětím přenést proud do nechráněných kovových částí nářadí a obsluha může utrpět úraz elektrickým proudem.
4. **Používejte tvrdou ochranu hlavy (bezpečnostní přilbu), ochranné brýle a/nebo obličejový štít. Běžné dioptrické brýle nebo sluneční brýle NEJSOU ochranné brýle. Velice se také doporučuje používat protiprachovou masku a silné polstrované rukavice.**
5. **Před zahájením provozu se přesvědčte, zda je uchycen pracovní nástroj.**
6. **Při běžném provozu nástroj vytváří vibrace. Šrouby se mohou snadno uvolnit a způsobit poruchu nebo nehodu. Před použitím zkontrolujte pečlivě utažení šroubů.**
7. **Za studeného počasí nebo pokud nebyl nástroj delší dobu používán nechejte nástroj na chvíli zahřátv provozováním bez zatížení. Tímto dojde k zahřátí maziva. Bez řádného zahřátí je použití funkce kladiva obtížné.**
8. **Dbejte, abyste vždy měli pevnou oporu nohou. Pracujete-li ve výškách, dbejte, aby pod vámi nikdo nebyl.**
9. **Držte nástroj pevně oběma rukama.**
10. **Udržujte ruce mimo pohyblivé díly.**
11. **Nenechávejte nástroj běžet bez dozoru. Pracujte s ním, jen když jej držíte v ruce.**
12. **Nemířte nástrojem na žádnou osobu v místě provádění práce. Pracovní nástroj se může uvolnit a způsobit vážné zranění.**
13. **Bezprostředně po ukončení práce se nedotýkejte nástroje ani dílu; mohou dosahovat velmi vysokých teplot a popálit pokožku.**
14. **Některé materiály obsahují chemikálie, které mohou být jedovaté. Dávejte pozor, abyste je nevdechovali nebo se jich nedotýkali. Přečtěte si bezpečnostní materiálové listy dodavatele.**

## TYTO POKYNY USCHOVEJTE.

**⚠️ VAROVÁNÍ: NEDOVOLTE,** aby pohodlnost nebo pocit znalosti výrobku (získaný na základě opakovaného používání) vedly k zanedbání dodržování bezpečnostních pravidel platných pro tento výrobek. **NESPRÁVNÉ POUŽÍVÁNÍ** nebo **nedodržení bezpečnostních pravidel uvedených v tomto návodu k obsluze může způsobit vážné zranění.**

## POPIS FUNKCE

### ⚠️ UPOZORNĚNÍ:

- Před nastavováním nástroje nebo kontrolou jeho funkce se vždy přesvědčte, že je vypnutý a vytažený ze zásuvky.

### Zapínání

► **Obr.1:** 1. Spínač 2. Blokovací tlačítko

### ⚠️ UPOZORNĚNÍ:

- Před připojením nástroje do zásuvky vždy zkontrolujte, zda spoušť funguje správně a po uvolnění se vrací do vypnuté polohy.

Chcete-li nástroj uvést do chodu, stačí stisknout jeho spoušť. Otáčky nástroje se zvětšují zvýšením tlaku vyvíjeného na spoušť. Chcete-li nástroj vypnout, uvolněte spoušť. Chcete-li pracovat nepřetržitě, stiskněte spoušť a poté zamáčkněte zajišťovací tlačítko. Chcete-li nástroj vypnout ze zablokované polohy, stiskněte naplno spoušť a poté ji uvolněte.

## Rozsvícení světla

### Pro model HR2470F/2470FT

► **Obr.2:** 1. Světlo

### ⚠️ UPOZORNĚNÍ:

- Nedívejte přímo do světla nebo jeho zdroje.

Pracovní osvětlení se zapíná stisknutím spouště. Vypíná se uvolněním spouště.

### POZNÁMKA:

- K očištění nečistot z čočky světla používejte suchý hadřík. Dávejte pozor, abyste čočku světla nepoškrábali, může se tím zmenšit jeho svítivost.

## Přepínání směru otáčení

► **Obr.3:** 1. Přepínací páčka směru otáčení

### ⚠️ UPOZORNĚNÍ:

- Před zahájením provozu vždy zkontrolujte nastavený směr otáčení.
- S přepínačem směru otáčení manipulujte až poté, co nástroj dosáhne úplného klidu. Provedete-li změnu směru otáčení před zastavením nástroje, může dojít k jeho poškození.
- Pokud nelze stisknout spoušť, ověřte, zda je přepínač směru otáčení nastaven řádně do polohy ◁ (strana A) nebo ▷ (strana B).

Tento nástroj je vybaven přepínačem směru otáčení. Požadujete-li otáčení ve směru hodinových ručiček, přešuněte páčku přepínače směru otáčení do polohy ◀ (strana A). Pokud potřebujete otáčení proti směru hodinových ručiček, přešuněte páčku do polohy ▶ (strana B).

## Výměna rychlovýměnného sklíčidla pro SDS-plus

### Pro model HR2470T/HR2470FT



Rychlovýměnné sklíčidlo pro SDS-plus lze snadno vyměnit za rychlovýměnné sklíčidlo pro vrtáky.

### Demontáž rychlovýměnného sklíčidla pro SDS-plus

- **Obr.4:** 1. Rychlovýměnné sklíčidlo pro SDS-plus  
2. Ryska na otočné objímce 3. Otočná objímka




#### ⚠ UPOZORNĚNÍ:

- Před montáží rychlovýměnného sklíčidla pro SDS-plus je nutno vždy demontovat pracovní nástroj.

Uchopte otočnou objímku rychlovýměnného sklíčidla pro SDS-plus a otáčejte ji ve směru šipky, dokud se ryska na otočné objímce nepřesune ze symbolu  na symbol . Silně zatáhněte ve směru šipky.

### Instalace rychlovýměnného sklíčidla


- **Obr.5:** 1. Vřeteno 2. Rychlovýměnné sklíčidlo  
3. Ryska na otočné objímce 4. Otočná objímka

Zkontrolujte, zda ryska na rychlovýměnném sklíčidle ukazuje na symbol . Uchopte otočnou objímku rychlovýměnného sklíčidla a nastavte rysku na symbol . Nasuňte rychlovýměnné sklíčidlo na vřeteno nástroje. Uchopte otočnou objímku rychlovýměnného sklíčidla a nastavte rysku na otočné objímce na symbol . Správné polohy je dosaženo, jakmile zazní cvaknutí.

## Výběr provozního režimu


### Otáčení s příklepem

- **Obr.6:** 1. Blokovací tlačítko 2. Volič provozního režimu

Při vrtání do betonu, zdva, a podobných materiálů stiskněte zajišťovací tlačítko a otočte volič režimu na symbol . Použijte nástroj s ostřím z karbidu wolframu.


### Pouze otáčení

- **Obr.7:** 1. Pouze otáčení

Při vrtání do dřeva, kovu nebo plastů stiskněte zajišťovací tlačítko a otočte volič režimu na symbol . Použijte šroubovité vrták nebo vrták do dřeva.

## Pouze příklep

- **Obr.8:** 1. Pouze příklep

Při sekání, otloukání nebo bourání stiskněte zajišťovací tlačítko a otočte volič režimu na symbol . Použijte tyč s hrotem, plochý sekač, oškrť, apod.

#### ⚠ UPOZORNĚNÍ:

- Neotáčejte voličem režimu, pracuje-li nástroj bez zatížení. Dojde k poškození nástroje.
- Má-li být zamezeno rychlému opotřebení mechanismu přepínání režimu, dbejte, aby byl knoflík přepínání provozního režimu vždy řádně umístěn do jedné ze tří poloh provozního režimu.

## Omezovač točivého momentu

Omezovač točivého momentu se aktivuje při dosažení určité úrovně točivého momentu. Motor se odpojí od výstupního hřídele. Dojde-li k této situaci, pracovní nástroj se zastaví.

#### ⚠ UPOZORNĚNÍ:

- Jakmile se aktivuje omezovač točivého momentu, vypněte okamžitě nástroj. Zamezte tak předčasnému opotřebení nástroje.
- Čepele, jako pily pro otvory, které mají sklon se snadno třepit nebo zachytávat do otvoru, jsou pro tento nástroj nevhodné. Protože způsobují příliš časté aktivování omezovače točivého momentu.

## MONTÁŽ

#### ⚠ UPOZORNĚNÍ:

- Než začnete na nástroji provádět jakékoliv práce, vždy se předtím přesvědčte, že je vypnutý a vytažený ze zásuvky.

## Boční rukojeť (pomocné držadlo)

- **Obr.9:** 1. Základna rukojeti 2. Boční rukojeť  
3. Povolit 4. Utáhnout 5. Zub 6. Výstupek

#### ⚠ UPOZORNĚNÍ:

- Z důvodu bezpečnosti práce vždy používejte boční rukojeť.

Boční rukojeť nainstalujte tak, aby zuby na rukojeti zapadly mezi výstupky na válci nástroje. Poté rukojeť utáhněte v požadované poloze otáčením ve směru hodinových ručiček. Lze ji otáčet o 360° a zajistit ji v libovolné poloze.

## Vazelína na nástroj

Před použitím naneste na hlavu dřívku nástroje malé množství vazelíny (přibližně 0,5 - 1 g). Toto promazání sklíčidla zajišťuje hladký provoz a delší provozní životnost.

## Instalace a demontáž pracovního nástroje

► **Obr.10:** 1. Dřík nástroje 2. Vazelína na nástroj  
Vyčistěte dřík nástroje a před instalací na něj naneste vazelínu.

► **Obr.11:** 1. Vrták 2. Kryt sklíčidla


Zasuňte do přístroje pracovní nástroj. Otáčejte pracovním nástrojem a tlačte na něj, dokud nebude zajištěn. Po instalaci se pokusem o vytažení vždy přesvědčte, zda je pracovní nástroj bezpečně uchycen na svém místě.

Chcete-li nástroj vyjmout, stáhněte kryt sklíčidla úplně dolů a vytáhněte pracovní nástroj.

► **Obr.12:** 1. Vrták 2. Kryt sklíčidla

## Úhel pracovního nástroje (při sekání, otloukání nebo bourání)

► **Obr.13:** 1. Blokovací tlačítko 2. Volič provozního režimu

Pracovní nástroj lze zajistit v požadovaném úhlu. Chcete-li změnit úhel pracovního nástroje, stiskněte zajišťovací tlačítko a otočte volič režimu na symbol **O**. Natočte pracovní nástroj na požadovaný úhel. Stiskněte zajišťovací tlačítko a otočte volič režimu na symbol . Poté se mírným otočením přesvědčte, zda je pracovní nástroj bezpečně uchycen na svém místě.

► **Obr.14**

## Hloubkoměr

► **Obr.15:** 1. Hloubkoměr

Hloubkoměr je šikvná pomůcka při vrtání otvorů stejné hloubky. Povolte boční rukojeť a zasuňte hloubkoměr do otvoru na ní. Nastavte hloubkoměr na požadovanou hloubku a utáhněte boční rukojeť.

### POZNÁMKA:

- Hloubkový doraz nelze použít v poloze, kdy by narážel proti skříni převodovky.

## Protiprachová krytka

► **Obr.16:** 1. Protiprachová krytka


Protiprachová krytka slouží jako prevence spadu prachu na nástroj a pracovníka při vrtání nad hlavou. Protiprachovou krytku nainstalujte jak je ilustrováno na obrázku. Velikost pracovních nástrojů, u kterých lze použít protiprachovou krytku je následující.

	Průměr nástroje
Protiprachová krytka 5	6 mm - 14,5 mm
Protiprachová krytka 9	12 mm - 16 mm

## PRÁCE

### Režim vrtání s přiklepem

► **Obr.17**

Nastavte volič provozního režimu na symbol . Umístěte pracovní nástroj na požadované místo otvoru a stiskněte spoušť.

Na nástroj nevyvíjejte příliš velkou sílu. Nejlepších výsledků dosáhnete pomocní mírného tlaku. Udržujte nástroj v aktuální poloze a dávejte pozor, aby nevyklouzl z otvoru.

Dojde-li k ucpání otvoru třískami nebo částicemi, nevyvíjejte na nástroj větší tlak. Místo toho nechejte běžet nástroj ve volnoběhu a částečně z otvoru vytáhněte pracovní nástroj. Budete-li tento postup několikrát opakovat, otvor se vyčistí a budete moci pokračovat v dalším vrtání.

### ▲ UPOZORNĚNÍ:

- V okamžiku, kdy vrták vniká do materiálu, působí na nástroj a na vrták obrovské a náhlé krouživé síly, pokud dojde k ucpání otvoru třískami a částicemi nebo při nárazu do vyztužovacích tyčí umístěných v betonu. Při provádění práce vždy používejte boční rukojeť (pomocné držadlo) a pevně nástroj držte za boční rukojeť a rukojeť se spínačem. Pokud tak neuděláte, může dojít ke ztrátě kontroly nad nástrojem a potenciálnímu těžkému zranění.

**POZNÁMKA:** Při spuštění nástroje bez zatížení může při otáčení pracovního nástroje vzniknout výstřednost. Nástroj se při práci automaticky vystředí. Tento stav neovlivňuje přesnost vrtání.


## Vyfukovací nástroj (volitelné příslušenství)

► **Obr.18:** 1. Vyfukovací nástroj

Po vyvrtání otvoru použijte k odstranění prachu z otvoru vyfukovací nástroj.

## Sekání / otloukání / bourání

► **Obr.19**

Nastavte volič provozního režimu na symbol . Nástroj pevně držte oběma rukama. Uvedte nástroj do chodu a vyvíjete na něj mírný tlak, aby nedošlo k nekontrolovanému odskočení nástroje. Příliš velký tlak vyvíjený na nástroj nezvyšuje jeho účinnost.

## Vrtání do dřeva a kovu

► **Obr.20:** 1. Adaptér sklíčidla 2. Bezklíčové sklíčidlo vrtáčky

► **Obr.21:** 1. Rychlovýměnné sklíčidlo pro SDS-plus 2. Ryska na otočné objímce 3. Otočná objímka

► **Obr.22:** 1. Vřeteno 2. Rychlovýměnné sklíčidlo 3. Ryska na otočné objímce 4. Otočná objímka

► **Obr.23:** 1. Objímka 2. Prsteneček 3. Rychlovýměnné sklíčidlo

## Pro model HR2470/HR2470F

Použijte volitelnou sestavu sklíčidla. Při instalaci sklíčidla postupujte podle popisu v odstavci „Instalace a demontáž pracovního nástroje“ na předchozí straně.

## Pro model HR2470T/HR2470FT

Jako standardní vybavení používejte rychlovýměnné sklíčidlo. Při jeho instalaci postupujte podle odstavce „Výměna rychlovýměnného sklíčidla pro SDS-plus“ na předchozí straně.

Přidrže prstenc a otáčením objímkou proti směru hodinových ručiček rozevřete čelisti sklíčidla. Zasuňte vrták co nejdále do sklíčidla. Pevně podržte prstenc a otáčením objímkou ve směru hodinových ručiček sklíčidlo utáhněte. Chcete-li vrták vyjmout, podržte prstenc a otáčejte objímkou proti směru hodinových ručiček.


Nastavte volič provozního režimu na symbol .

Do kovu lze vrtat otvory o maximálním průměru 13 mm a do dřeva o průměru do 32 mm.

### ▲ UPOZORNĚNÍ:

- Je-li na nástroji umístěno rychlovýměnné sklíčidlo, nikdy nepoužívejte režim „otáčení s příklepem“. Mohlo by dojít k poškození rychlovýměnného sklíčidla. Sklíčidlo se rovněž uvolní při změně směru otáčení nástroje.
- Nadměrným tlakem na nástroj vrtání neurychlete. Ve skutečnosti tento nadměrný tlak vede jen k poškození hrotu vašeho vrtáku, snížení účinnosti nástroje a zkrácení jeho životnosti.
- V okamžiku, kdy vrták vniká do materiálu, působí na nástroj a na vrták obrovské síly. Držte nástroj pevně a dávejte pozor, když vrták začíná pronikat do vrtaného dílu.
- Uvlnutý vrták lze jednoduše uvolnit přepnutím přepínače směru otáčení do opačné polohy. Pokud však nástroj nadržíte pevně, může nečekaně vyskočit.
- Malé díly vždy upínejte do svěráku či do podobného upevňovacího zařízení.

## Vrtání pomocí diamantové vrtné korunky

Při vrtání pomocí diamantových vrtných korunek vždy umístěním voliče režimu do polohy  vyberte režim „pouze otáčení“.

### ▲ UPOZORNĚNÍ:

- Budete-li vrtání pomocí diamantových vrtných korunek provádět v režimu „otáčení s příklepem“, může dojít k poškození diamantové vrtné korunky.

## ÚDRŽBA

### ▲ UPOZORNĚNÍ:

- Než začnete provádět kontrolu nebo údržbu nástroje, vždy se přesvědčte, že je vypnutý a vytažený ze zásuvky.
- Nikdy nepoužívejte benzín, benzen, ředidlo, alkohol či podobné prostředky. Mohlo by tak dojít ke změnám barvy, deformacím či vzniku prasklin.

Kvůli zachování BEZPEČNOSTI a SPOLEHLIVOSTI výrobku musí být opravy, kontrola a výměna uhlíků a veškerá další údržba či seřizování prováděny autorizovanými servisními středisky firmy Makita a s použitím náhradních dílů Makita.

## VOLITELNÉ PŘÍSLUŠENSTVÍ

### ▲ UPOZORNĚNÍ:

- Pro váš nástroj Makita, popsany v tomto návodu, doporučujeme používat toto příslušenství a nástavce. Při použití jiného příslušenství či nástavců může hrozit nebezpečí zranění osob. Příslušenství a nástavce lze používat pouze pro jejich stanovené účely.

Potřebujete-li bližší informace ohledně tohoto příslušenství, obraťte se na vaše místní servisní středisko firmy Makita.

- Nástroje s karbidovým ostřím SDS-Plus
- Tyč s hrotem
- Plochý sekáč
- Oškrt
- Drážkovací dláto
- Sestava sklíčidla
- Sklíčidlo S13
- Adaptér sklíčidla
- Klíč sklíčidla S13
- Vazelína na nástroj
- Boční rukojeť
- Hloubkoměr
- Vyfukovací nástroj
- Protiprachová krytka
- Snímatelný odsavač prachu
- Ochranné brýle
- Plastový kuffík
- Bezklíčové sklíčidlo vrtačky

### POZNÁMKA:

- Některé položky seznamu mohou být k zařízením přibaleny jako standardní příslušenství. Přibalené příslušenství se může v různých zemích lišit.



**Makita Europe N.V.** Jan-Baptist Vinkstraat 2,  
3070 Kortenberg, Belgium

**Makita Corporation** 3-11-8, Sumiyoshi-cho,  
Anjo, Aichi 446-8502 Japan

[www.makita.com](http://www.makita.com)

884704F973  
EN, UK, PL, RO,  
DE, HU, SK, CS  
20171206